

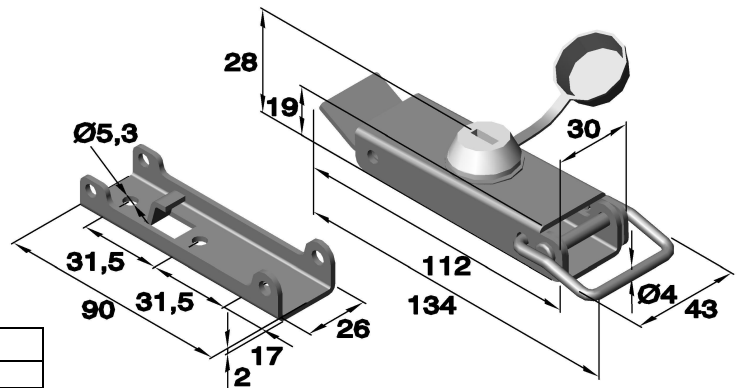


## Lockable latches

Art.Nr. 1070 (drilled)  
with lock

Permitted tractive force: 2000 N  
Breaking strength: 4000 N

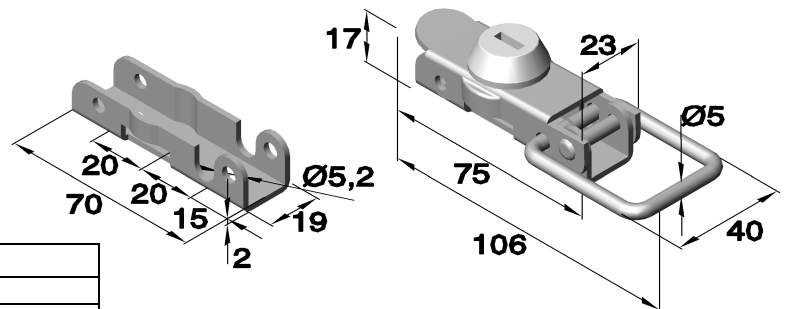
Suitable strikes: see chapter „B“  
Art.no. 1001.\_\_/5



Article no.	
Series	Material
	Black Zinc plated
	Steel
1070	.06/6

Art. no.: 6370 (drilled and countersunk)  
with lock

Suitable strikes: see chapter „B“  
Art. no.: 6375.02.04



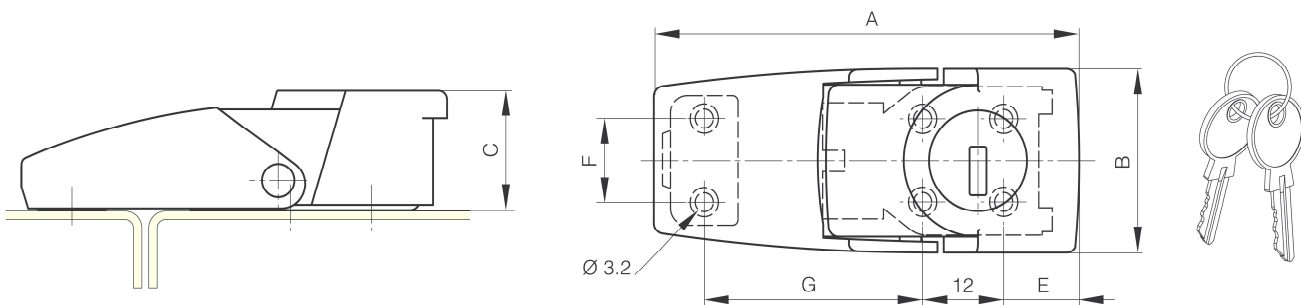
Article no.		
Series	Material	
	Zinc plated	Raw
	Steel	Stainless steel
6370	.04	.30

## Lockable latches

Art.no.:6344

Strike plate included.

Article no.			Dimension in mm						
Series	Model	Material		A	B	C	E	F	G
		Black coated Zamak							
6344	.01	.50	with lock	64,5	26,5	17,3	13	12	30
6344	.02	.50	without lock	64,5	26,5	17,3	13	12	30
6344	.03	.50	with lock	76	32	21	16,8	16	35,5
6344	.04	.50	without lock	76	32	21	16,8	16	35,5



Art.no.:6332

Strike plate included.

Article no.		Dimension in mm						
Series	Material	A	B	C	E	F	G	
	black coated Zamak							
6332	.50	92	36	25	12	12	28-32	

