



Adjustable latches



Art.: 1015



Art.: 1016



Art.: 1024



Art.: 1025



Art.: 1027



Art.: 1028



Art.: 1029



Art.: 1030



Art.: 1031



Art.: 1032



Art.: 1033



Art.: 1038



Art.: 3012



Art.: 3013



Art.: 3014



Art.: 3015



Art.: 3016



Art.: 3017



Art.: 3018



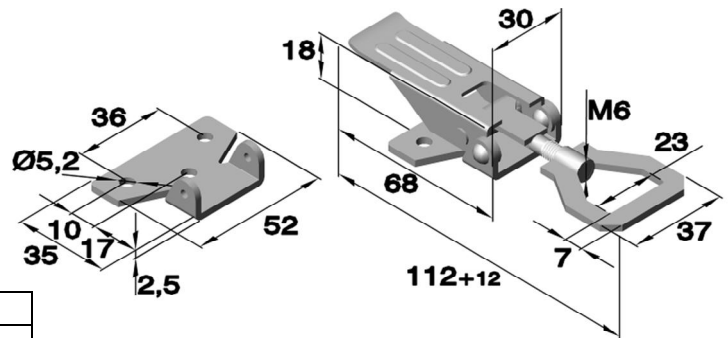
Art.: 3019

Adjustable latches

Art. no.: 1015 (drilled)

Permitted tractive force: 1100N
Breaking strength: 2500N

Suitable clamps: see chapter „B“
Art. no.: 1015.__/5

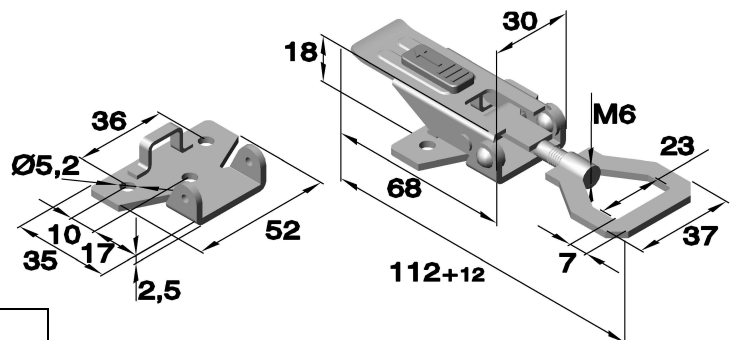


Article no.				
Series	Material			
	Raw	Nickel plated	Zinc plated	Raw
	Steel	Steel	Steel	Stainless steel
1015	.00/6	.01/6	.04/6	.30/6

Art. no.: 1016 (drilled)
with safety interlock

Permitted tractive force: 1100N
Breaking strength: 2500N

Suitable clamps: see chapter „B“
Art. no.: 1015.__/5

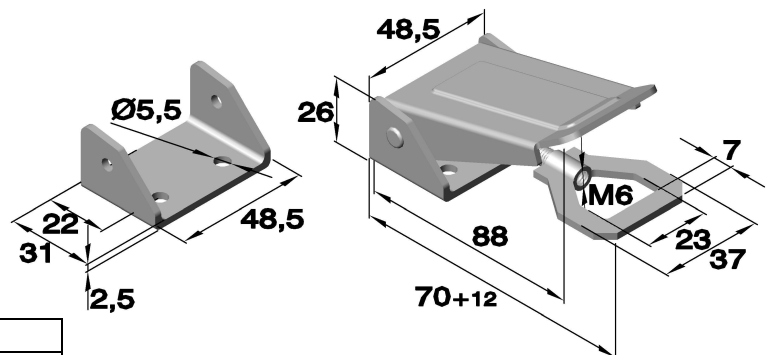


Article no.		
Series	Material	
	Nickel plated	Raw
	Steel	Stainless steel
1016	.01/6	.30/6

Art. no.: 1024 (drilled)

Permitted tractive force: 1500N
Breaking strength: 3000 N

Suitable clamps: see chapter „B“
Art. no.: 1024.__/5



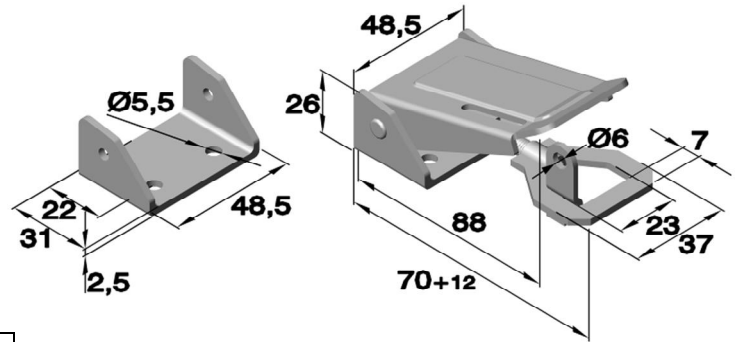
Article no.		
Series	Material	
	Zinc plated	Raw
	Steel	Stainless steel
1024	.04/6	.30/6

Adjustable latches

Art. no.: 1025 (drilled)
with lock bracket

Permitted tractive force: 1500N
Breaking strength: 3000N

Suitable clamps: see chapter „B“
Art. no.: 1024.__/5

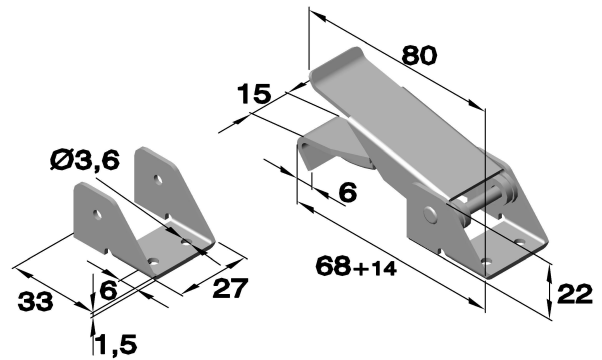


Article no.	
Series	Material
	Zinc plated
	Steel
1025	.04/6

Art. no.: 1027 (drilled)

Permitted tractive force: 1000N
Breaking strength: 2000N

Suitable clamps: see chapter „B“
Art. no.: 1027.__/5

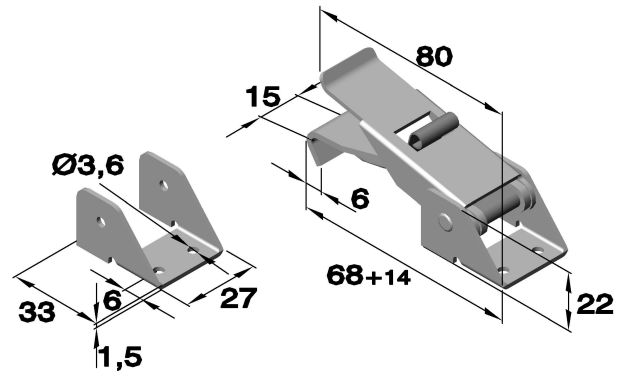


Article no.		
Series	Material	
	Nickel plated	Zinc plated
	Steel	Steel
1027	.01/6	.04/6

Art. no.: 1028 (drilled)
with safety spring

Permitted tractive force: 1000N
Breaking strength: 2000N

Suitable clamps: see chapter „B“
Art. no.: 1027.__/5



Article no.	
Series	Material
	Zinc plated
	Steel
1028	.04/6

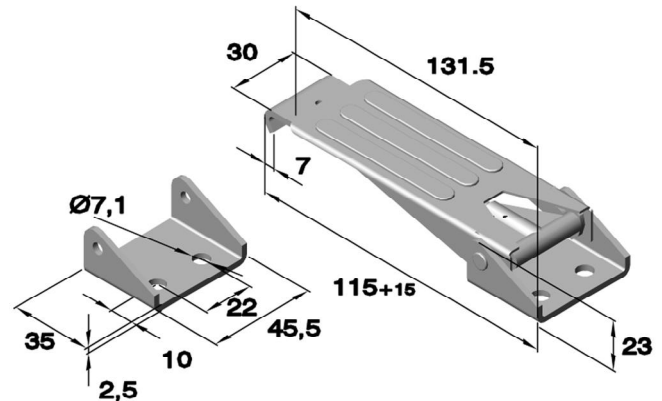
Adjustable latches

Art. no.: 1029 (drilled)

Permitted tractive force: 2000N
Breaking strength: 4000N

Suitable clamps: see chapter „B“
Art. no.: 1029.__/5

Article no.	
Series	Material
	Zinc plated
	Steel
1029	.04/6

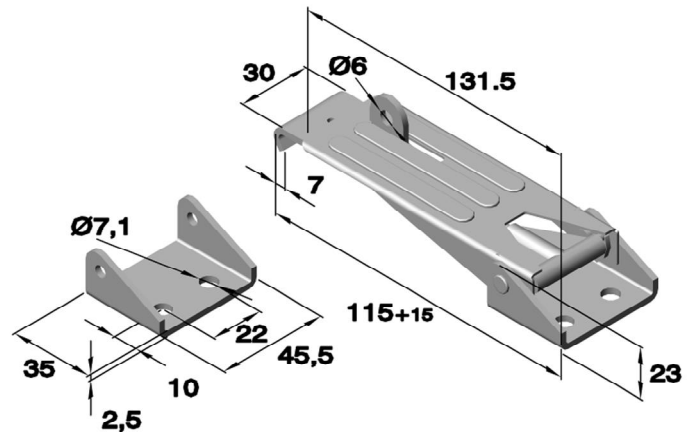


Art. no.: 1030 (drilled)
with secondary loop lock

Permitted tractive force: 2000N
Breaking strength: 4000N

Suitable clamps: see chapter „B“
Art. no.: 1029.__/5

Article no.	
Series	Material
	Zinc plated
	Steel
1030	.04/6

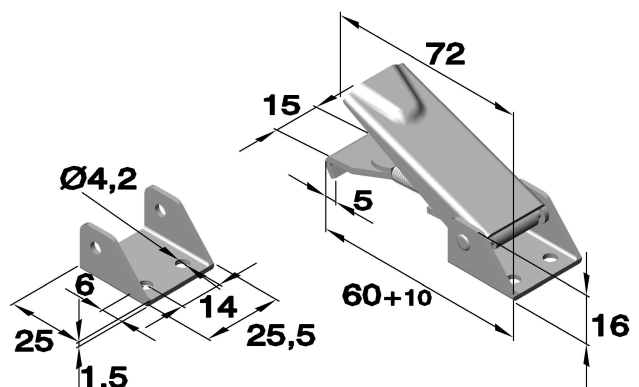


Art. no.: 1031 (drilled)

Permitted tractive force: 1000N
Breaking strength: 1400N

Suitable clamps: see chapter „B“
Art. no.: 1031.__/5

Article no.		
Series	Material	
	Zinc plated	Raw
	Steel	Stainless steel
	1031	.04/6



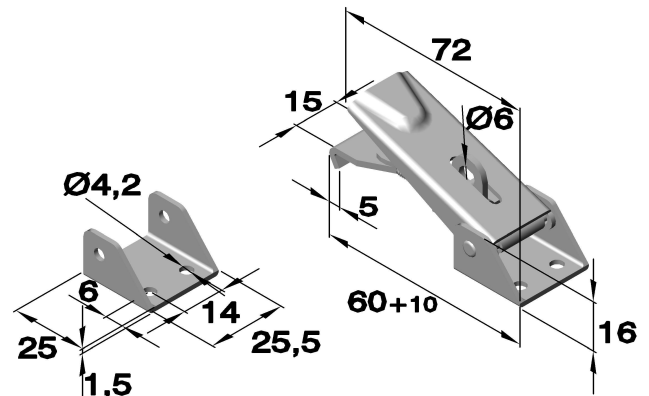
Adjustable latches

Art. no.: 1032 (drilled)
with secondary loop lock

Permitted tractive force: 1000N
Breaking strength: 1400N

Suitable clamps: see chapter „B“
Art. no.: 1031.__/5

Article no.		
Series	Material	
	Zinc plated	Raw
1032	.04/6	.30/6

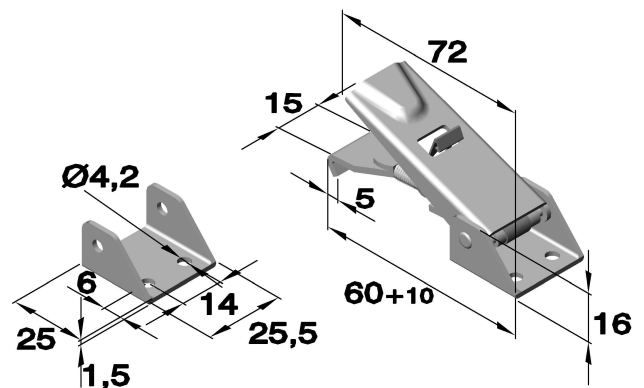


Art. no.: 1033 (drilled)
with safety spring

Permitted tractive force: 1000N
Breaking strength: 1400N

Suitable clamps: see chapter „B“
Art. no.: 1031.__/5

Article no.		
Series	Material	
	Zinc plated	Raw
1033	.04/6	.30/6

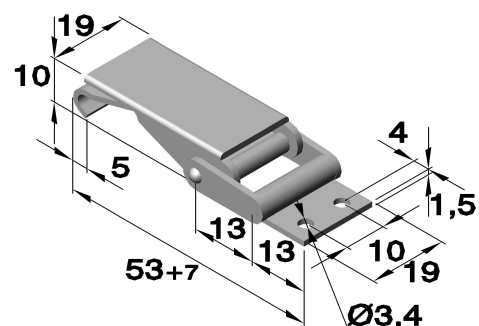


Art. no.: 1038 (drilled)

Permitted tractive force: 750N
Breaking strength: 1500N

Suitable clamps: see chapter „B“
Art. no.: 1038.__/5

Article no.	
Series	Material
	Zinc plated
	Steel
1038	.04/6



Adjustable latches

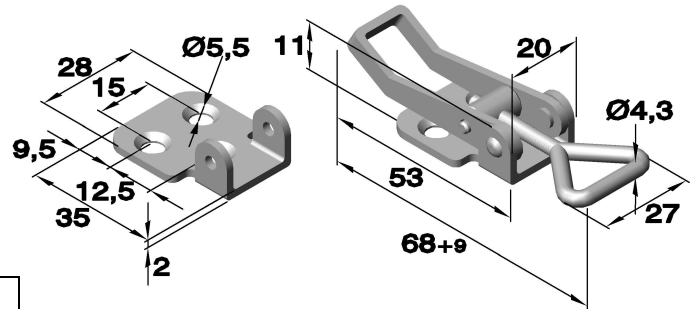
Art. no.: 3012 (drilled and countersunk)

Suitable clamps: see chapter „B“

Art. no.: 3605._ _

Art. no.: 3616._ _

Art. no.: 3618._ _



Article no.			
Series	Material		
	Zinc plated	Raw	Polished
	Steel	Stainless steel	stainless steel
3012	.04	.30	.33

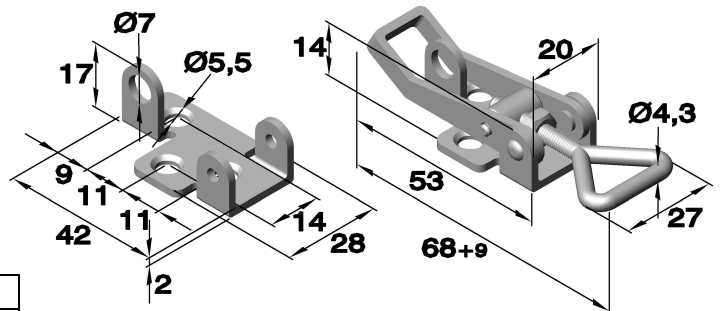
Art. no.: 3013 (drilled and countersunk)
with padlock

Suitable clamps: see chapter „B“

Art. no.: 3605._ _

Art. no.: 3616._ _

Art. no.: 3618._ _



Article no.			
Series	Material		
	Zinc plated	Raw	Polished
	Steel	Stainless steel	Stainless steel
3013	.04	.30	.33

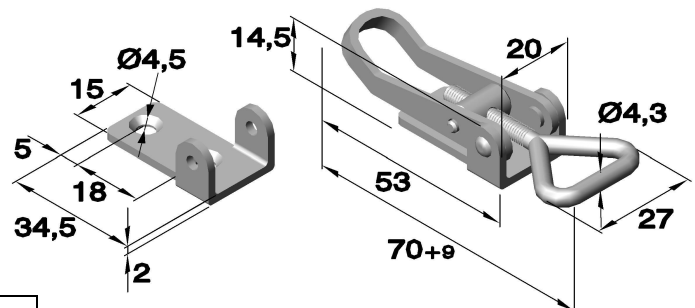
Art. no.: 3014 (drilled and countersunk)

Suitable clamps: see chapter „B“

Art. no.: 3605._ _

Art. no.: 3616._ _

Art. no.: 3618._ _



Article no.	
Series	Material
	Zinc plated
	Steel
3014	.04

Adjustable latches

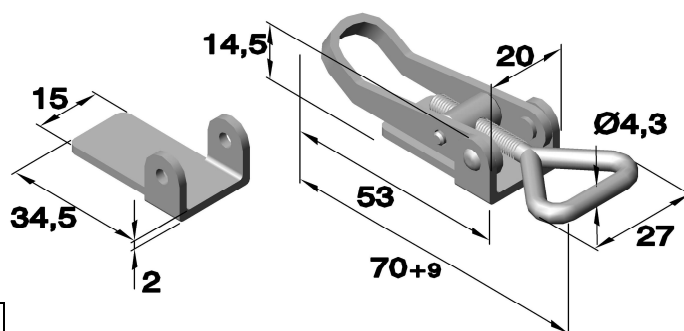
Art.no.: 3014.__-U1

Suitable clamps: see chapter „B“

Art.no. 3605.__

Art.no. 3616.__

Art.no. 3618.__



Article no.	
Series	Material
	Zinc plated
	Steel
3014	.04-U1

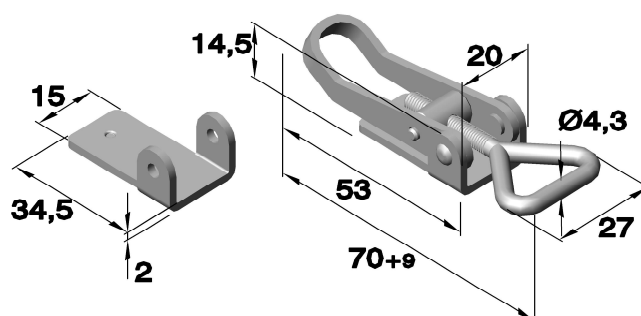
Art.no. 3014.__-U1S (with welding projection)

Suitable clamps: see chapter „B“

Art.no. 3605.__

Art.no. 3616.__

Art.no. 3618.__



Article no.	
Series	Material
	Zinc plated
	Steel
3014	.04-U1S

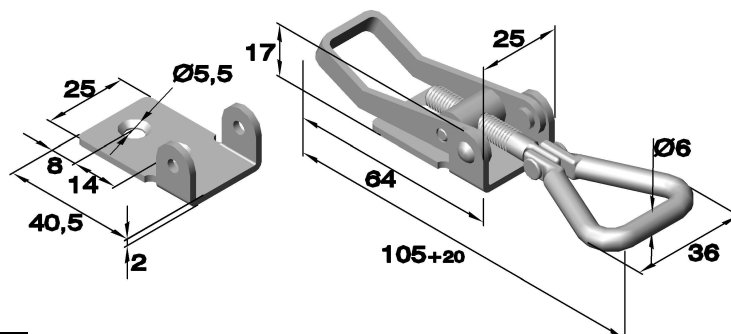
Art. no.: 3015 (drilled and countersunk)
with riveted triangle

Suitable clamps: see chapter „B“

Art. no. 3608.__ Art. no.: 3622.__

Art. no.: 3611.__ Art. no.: 3625.__

Art. no.: 3612.__



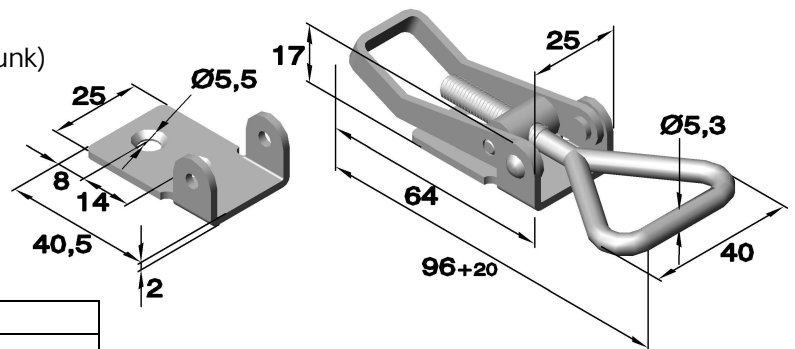
Article no.	
Series	Material
	Zinc plated
	Steel
3015	.04

Adjustable latches

Art. no.: 3015.__ (drilled and countersunk)
with welded triangle

Suitable clamps: see chapter „B“

Art. no.: 3608.__ Art. no.: 3622.__
Art. no.: 3611.__ Art. no.: 3625.__
Art. no.: 3612.__

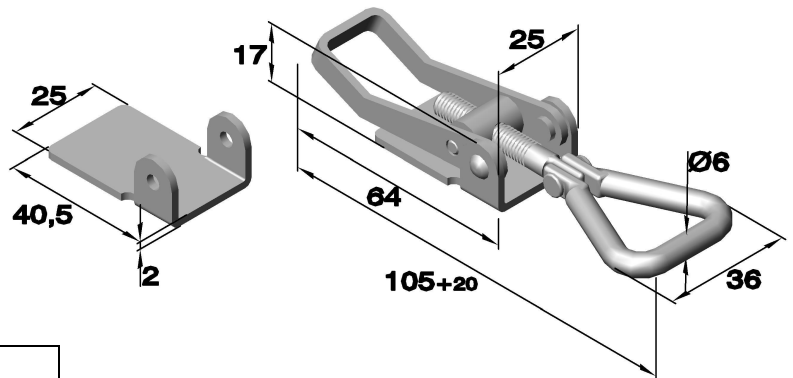


Article no.	
Series	Material
	Raw
	Stainless steel
3015	.30

Art. no.: 3015.__
with riveted triangle

Suitable clamps: see chapter „B“

Art. no.: 3608.__ Art. no.: 3622.__
Art. no.: 3611.__ Art. no.: 3625.__
Art. no.: 3612.__

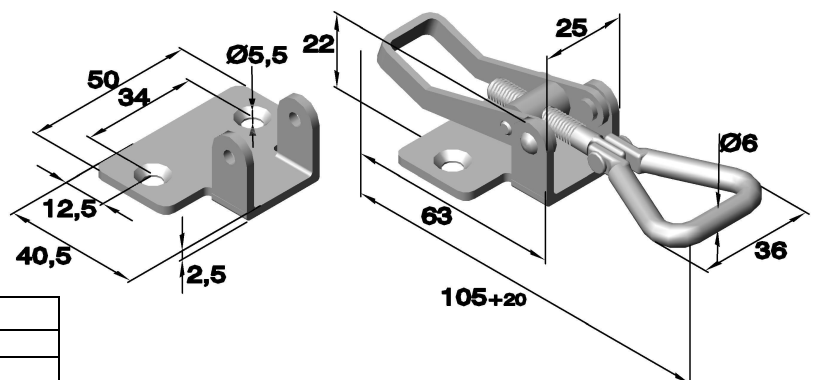


Article no.		
Series	Material	
	Zinc plated	Polished
	Steel	Stainless steel
3015	.04 G-1	.33 RF-1

Art. no.: 3016 (drilled and countersunk)
with riveted triangle

Suitable clamps: see chapter „B“

Art. no.3608.__ Art. no.: 3622.__
Art. no.: 3611.__ Art. no.: 3625.__
Art. no.: 3612.__



Article no.	
Series	Material
	Zinc plated
	Steel
3016	.04

Adjustable latches

Art. no.: 3016.__-U1

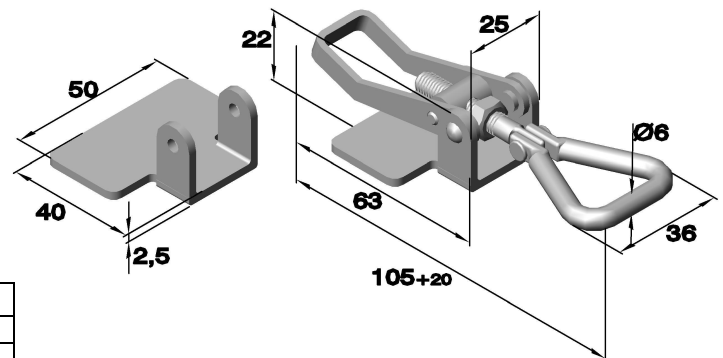
with riveted triangle

Suitable clamps: see chapter „B“

Art. no.3608.__ Art. no.: 3622.__

Art. no.: 3611.__ Art. no.: 3625.__

Art. no.: 3612.__



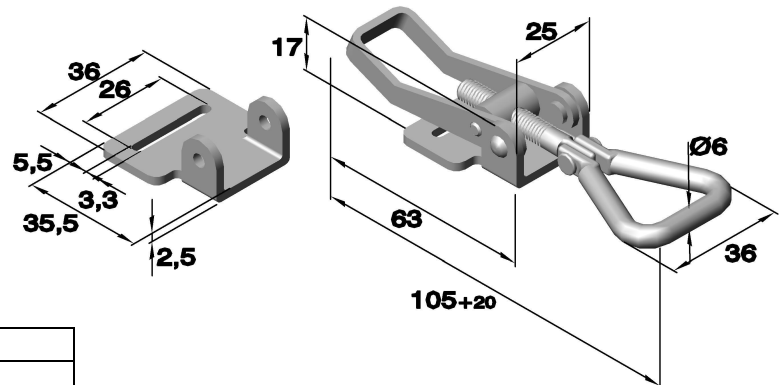
Article no.		
Series	Material	
	Zinc plated	Polished
3016	Steel	Stainless steel
	.04-U1	.30-U1

Art. no.: 3017

with riveted triangle

Suitable clamps: see chapter „B“

Art. no.3609.__



Article no.	
Series	Material
	Zinc plated
	Steel
3017	.04

Art. no.: 3018 (drilled and countersunk)

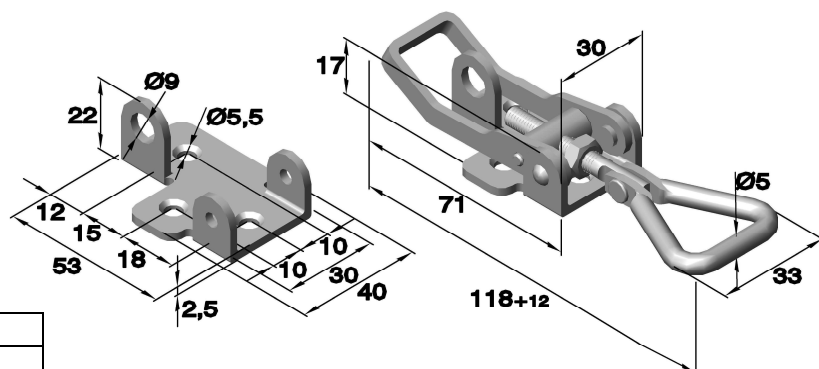
with riveted triangle

Suitable clamps: see chapter „B“

Art. no.: 3608.__ Art. no.: 3622.__

Art. no.: 3611.__ Art. no.: 3625.__

Art. no.: 3612.__



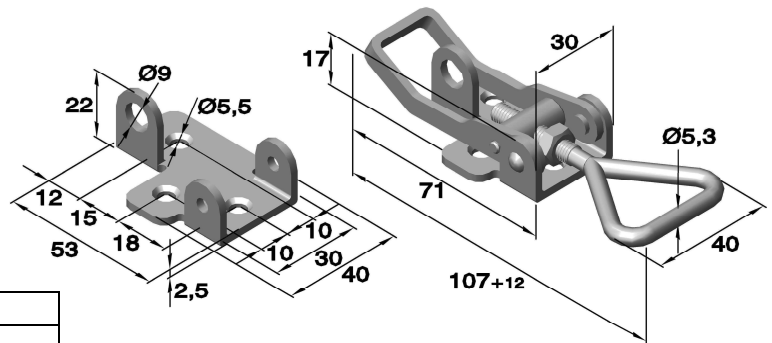
Article no.	
Series	Material
	Zinc plated
	Steel
3018	.04

Adjustable latches

Art. no.: 3018 (drilled and countersunk)
with welded triangle

Suitable clamps: see chapter „B“

Art. no.: 3608. __ Art. no.: 3622. __
Art. no.: 3611. __ Art. no.: 3625. __
Art. no.: 3612. __

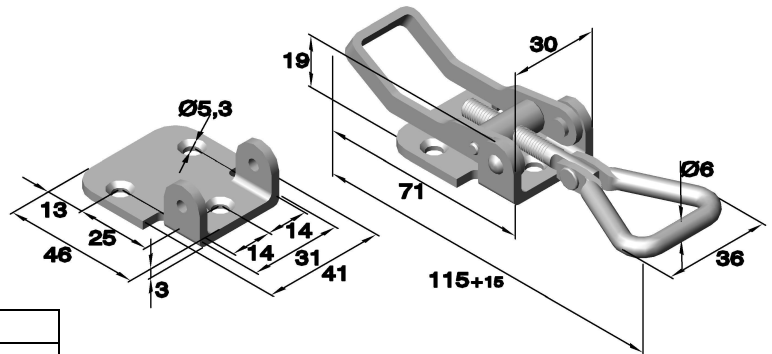


Article no.	
Series	Material
	Polished Stainless steel
3018	.30

Art. no.: 3019 (drilled and countersunk)
with riveted triangle

Suitable clamps: see chapter „B“

Art. no.: 3608. __ Art. no.: 3622. __
Art. no.: 3611. __ Art. no.: 3625. __
Art. no.: 3612. __

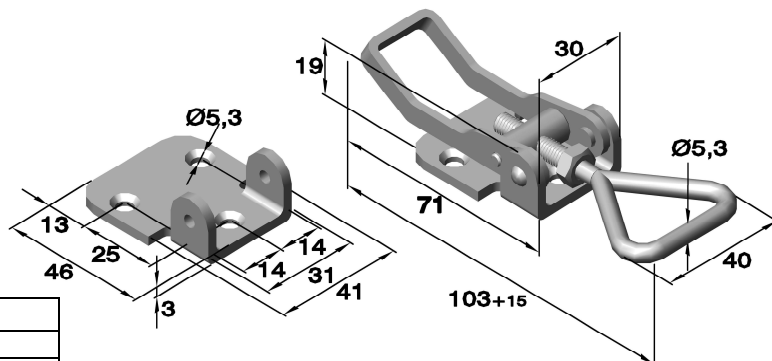


Article no.	
Series	Material
	Zinc plated Steel
3019	.04

Art. no.: 3019 (drilled and countersunk)
with riveted triangle

Suitable clamps: see chapter „B“

Art. no.: 3608. __ Art. no.: 3622. __
Art. no.: 3611. __ Art. no.: 3625. __
Art. no.: 3612. __

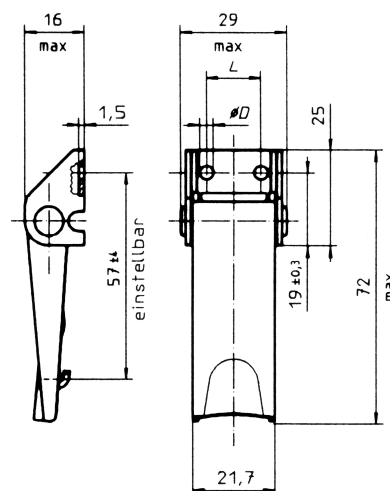
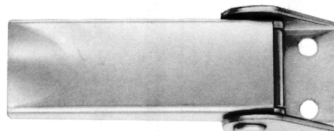


Article no.		
Series	Material	
	Stainless steel	Polished
3019	Stainless steel	Stainless steel
	.30	.33

Adjustable latches

Art.no. V951L02 (drilled)

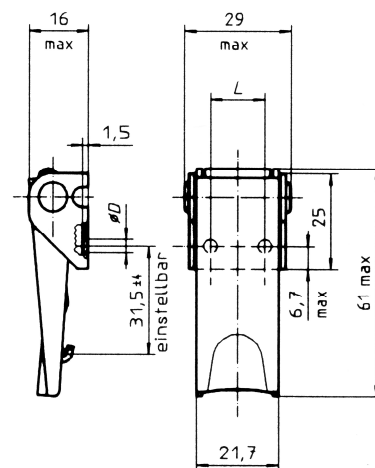
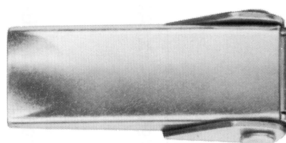
Tensile load max. 2300 N
Operating load up to 1550 N



Article no.				Dimensions in mm	
Series	Material			D	L
	Zinc plated	Chromated	Raw		
	Steel	Steel	Stainless steel		
V951L02-1-	1AGV	1AD	1BP	3,6	14,3
V951L02-1-	5AGV	-	5BP	4,2	12,7
V951L02-1-	2AGV	-	2BP	without bore	-

Art.no. V951L03 (drilled)

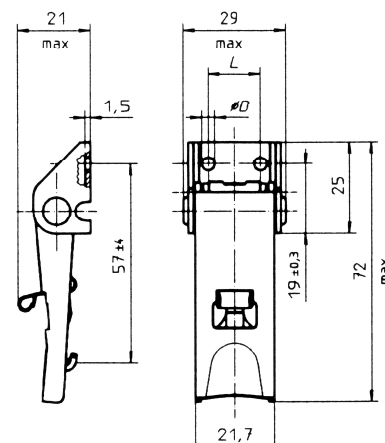
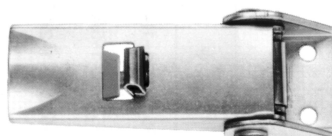
Tensile load max.. 1200 N
Operating load up to 800 N



Article no.				Dimensions in mm	
Series	Material			D	L
	Zinc plated	Chromated	Raw		
	Steel	Steel	Stainless steel		
V951L03-1-	1AGV	1AD	1BP	3,6	14,3
V951L03-1-	5AGV	-	5BP	4,2	12,7

Art.no. V951L04 (drilled)

Tensile load max.. 2300 N
Operating load up to 1550 N

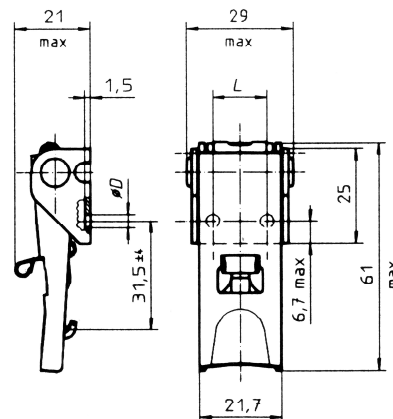


Article no.				Dimensions in mm	
Series	Material			D	L
	Zinc plated	Chromated	Raw		
	Steel	Steel	Stainless steel		
V951L04-1X	1AGV	1AD	1BP	3,6	14,3
V951L04-1X	5AGV	-	5BP	4,2	12,7
V951L04-1X	-	-	2BP	without bore	-

Adjustable latches

Art.no. V951L03 (drilled)

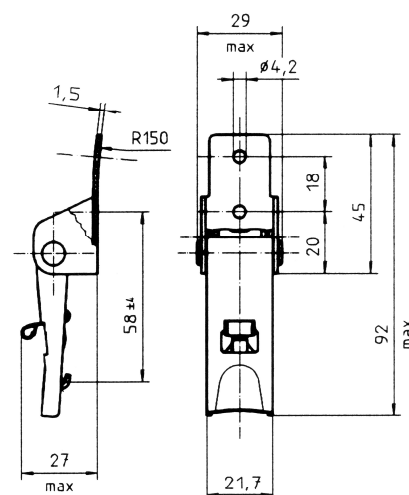
Tensile load max.. 1200 N
Operational load up to 800 N



Article no.		Material			Dimensions in mm	
Series	Zinc plated	Chromated	Raw	D	L	
	Steel	Steel	Stainless steel			
V951L03-1X	-	1AD	1BP	3,6	14,3	
V951L03-1X	5AGV	-	5BP	4,2	12,7	

Art.no. V951L05 (drilled)

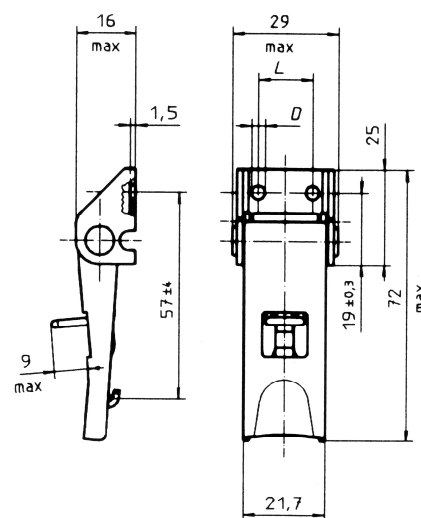
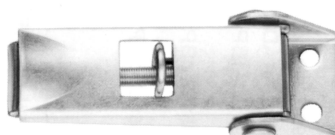
Tensile load max. 2300 N
Operating load up to 1550 N



Article no.		Material		Dimensions in mm	
Series	Zinc plated	Raw	D		
	Steel	Stainless steel			
V951L05-1X	1AGV	1BP	4,2		
V951L05-1X	-	5BP	5,1		

Art.no. V951L01 (drilled)

Tensile load max.. 2300 N
Operating load up to 1550 N

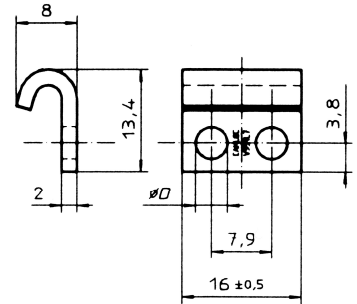
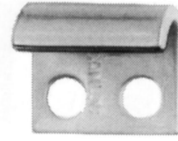


Article no.		Dimensions in mm	
Series	Material	D	
	Zinc plated		
		Steel	
V951L01-1Y	5AGV	4,2	
V951L01-1Y	2AGV	without bore	

Adjustable latches

Suitable strike of Series V951L

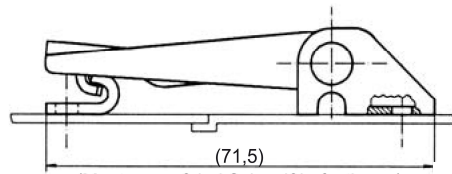
	Zinc plated Chromated	Stainless steel
Tensile load max.	2300 N	1500 N
Operating load	1550 N	1000 N



Article no.		Dimensions in mm		
Series	Material			D
	Zinc plated	Chromated	Raw	
	Steel	Steel	Stainless steel	
V951L7-	1AGV	1AD	1BP	3,6
V951L7-	5AGV	-	5BP	4,2
V951L7-	2AZ	-	2BP	without bore

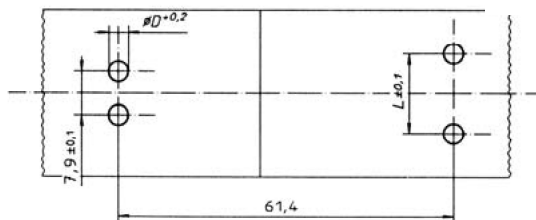
Open-base tension latch/ open strike

V951L02-
V951L04-
V951L01-



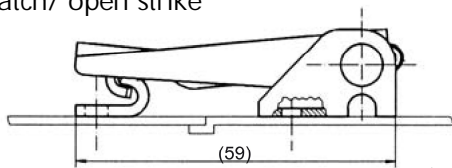
(Montagemaß bei Schweißbefestigung) *(mounting dimension on weld attachment)

V951L7-



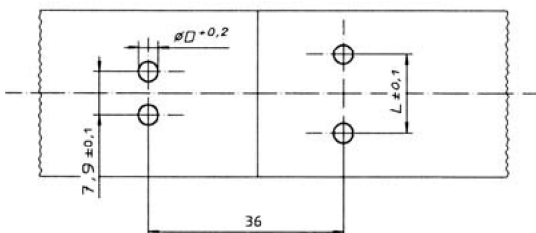
Concealed base tension latch/ open strike

V951L03-



(Montagemaß bei Schweißbefestigung) *(mounting dimension on weld attachment)

V951L7-

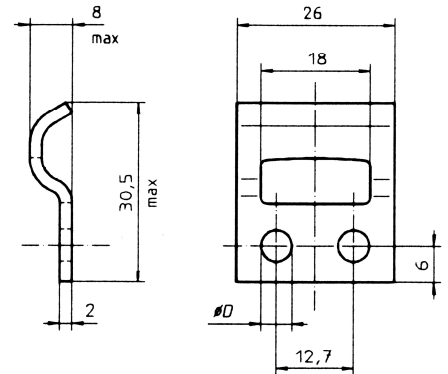
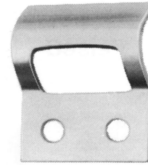


Select diameter D and distance L in accordance with the strike and tension latch.

Adjustable latches

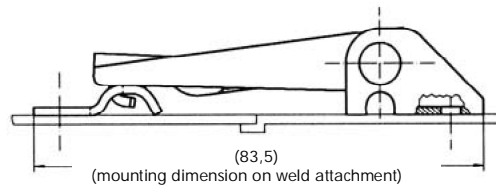
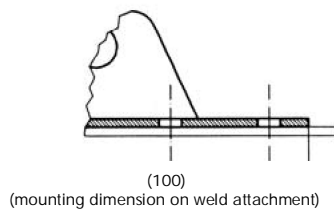
Suitable strike of Series V951L

	Zinc plated	Stainless steel
Tensile load max.	2000 N	1500 N
Operating load	1300 N	1000 N



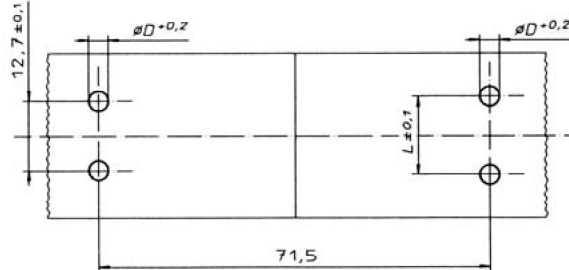
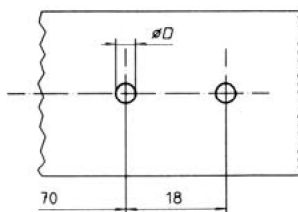
Article no.		Dimensions in mm	
Series	Material		D
	Zinc plated	Raw	
	Steel	Stainless steel	
V951L50-	-	2BP	3,6
V951L50-	1AGV	1BP	4,2
V951L50-	-	3BP	without bore

Open-base tension latch/ closed strike



V951L02-
V951L04-
V951L01-

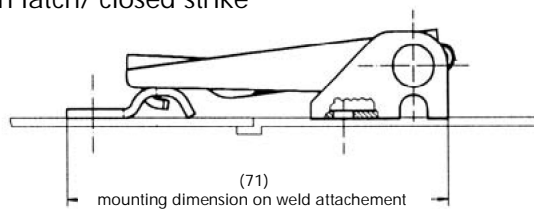
V951L05-



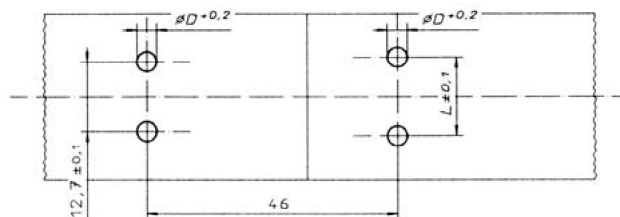
V951L50-

Concealed-base tension latch/ closed strike

V951L03-



V951L50-

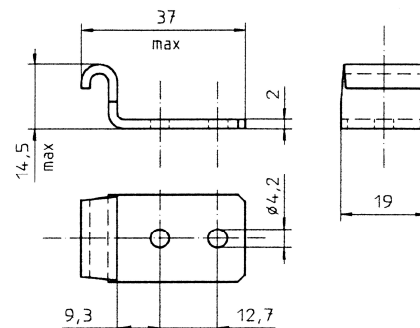


Select diameter D and distance L in accordance with the strike and tension latch.

Adjustable latches

Suitable strike of Series V951L

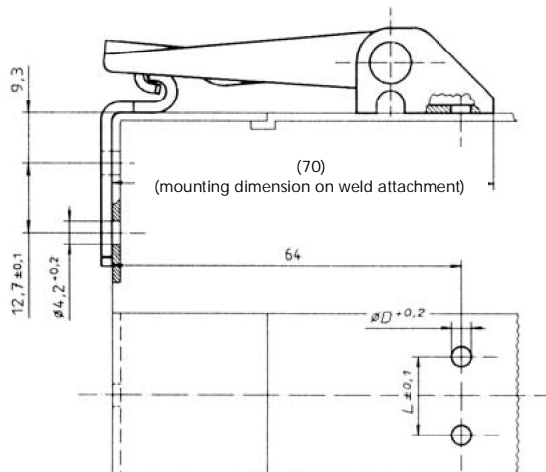
	Zinc plated	Stainless steel
Tensile load max..	2300 N	1500 N
Operating load	1550 N	1000 N



Article no.		Material		Dimensions in mm
Series	D	Zinc plated	Raw	
		Steel	Stainless steel	
V951L52-	1AGV	1BP		4,2

Open-base tension latch/ corner- mounting strike

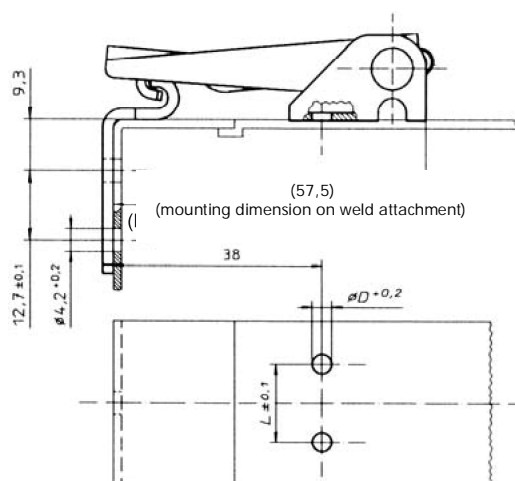
V951L02-
V951L04-
V951L01-



V951L52-

Concealed-base tension latch/ corner- mounting strike

V951L03-



V951L52-

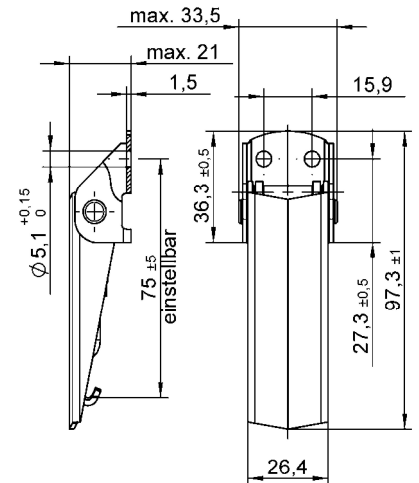
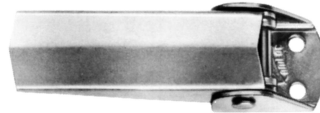
Select diameter D and distance L in accordance with the strike and tension latch.

Adjustable latches

Art.no. V917L01 (drilled)

Tensile load max.. 3600 N
Operating load up to 2700 N

Open base

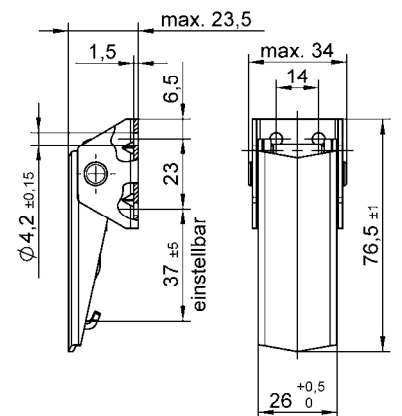
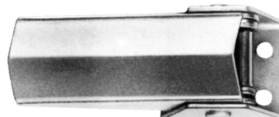


Article no.		
Series	Material	
	Zinc plated	Raw
	Steel	Stainless steel
V917L01-1-	1AG	1BP

Art.no. V17L12 (drilled)

Tensile load max.. 3200 N
Operating load up to 2200 N

High base



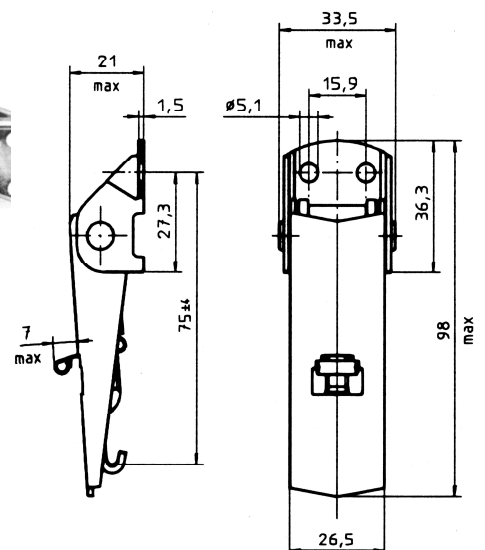
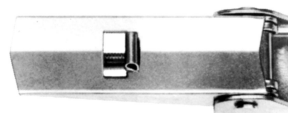
Article no.	
Series	Material
	Zinc plated
	Steel
V17L12-1-	1AA

Art.no. V917L01 (drilled)

with protection

Tensile load max.. 3600 N
Operating load up to 2700 N

and open base



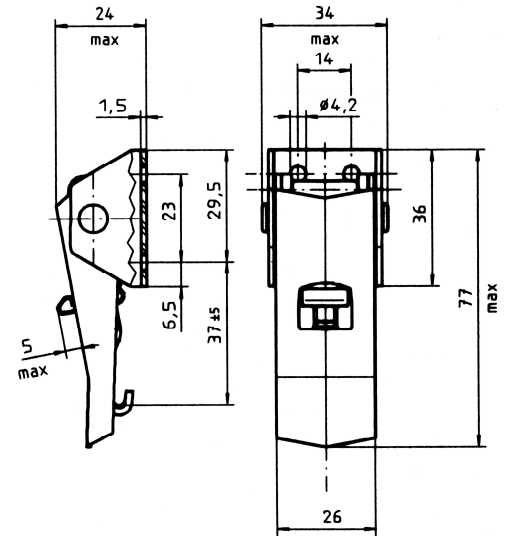
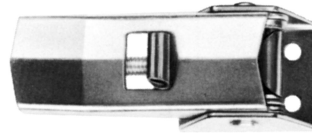
Article no.				Dimensions in mm
Series	Material			D
	Zinc plated	Raw	V4A	
	Steel	Stainless steel	Stainless steel	
V917L01-1X	1AG	1BP	1CP	5,1
V917L01-1X	-	2BP	2CP	without bore

Adjustable latches

Art.no. V17L12 (drilled)
with protection

Tensile load max.. 3200 N
Operating load up to 2200 N

High base

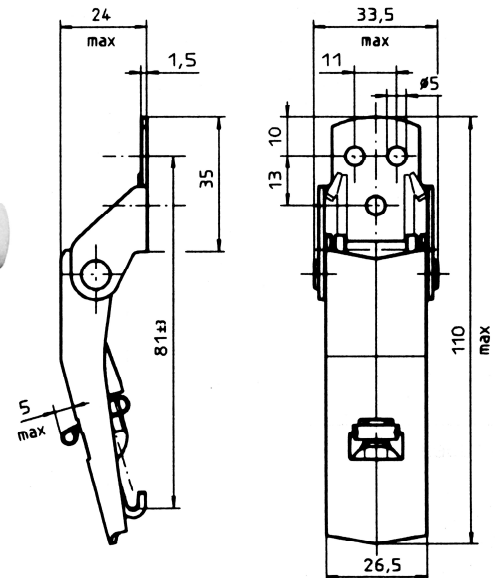


Article no.	
Series	Material
	Zinc plated
V17L12-2X	Stainless steel
	1AA

Art.no. V1449L02 (drilled)
with protection

Tensile load max.. 3600 N
Operating load up to 2700 N

for curved surfaces (R min= 125 mm)

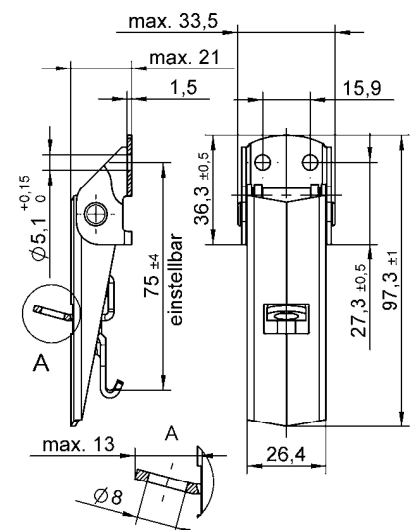
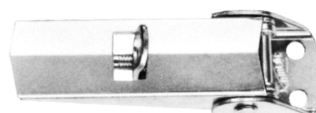


Article no.		
Series	Material	
	Zinc plated	Raw
	Steel	Stainless steel
V1449L02-1X	1AG	1BP

Art.no. V917L01 (drilled)
with hasp

Tensile load max.. 3200 N
Operating load up to 2200 N

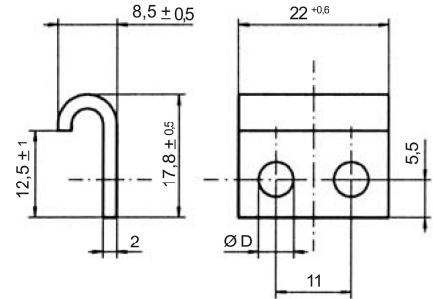
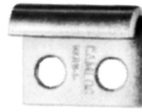
Open base



Article no.	
Series	Material
	Zinc plated
	Steel
V917L01-1Y	1AG

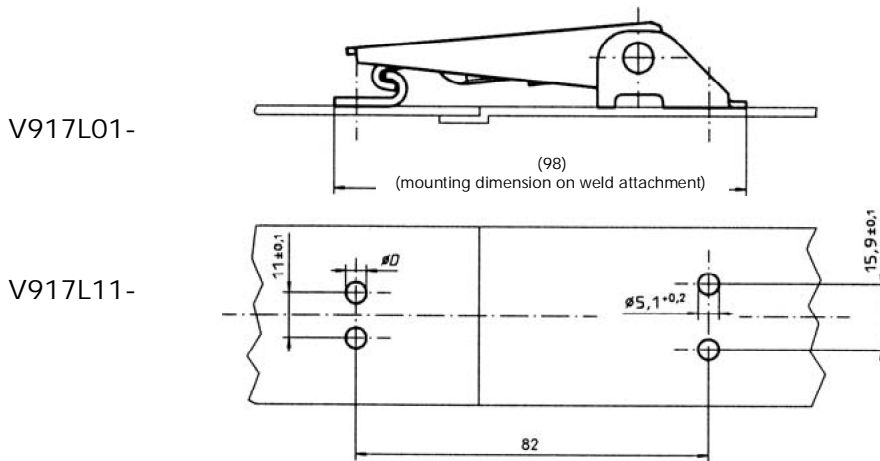
Adjustable latches

Suitable strike of Series V917L01
V17L12

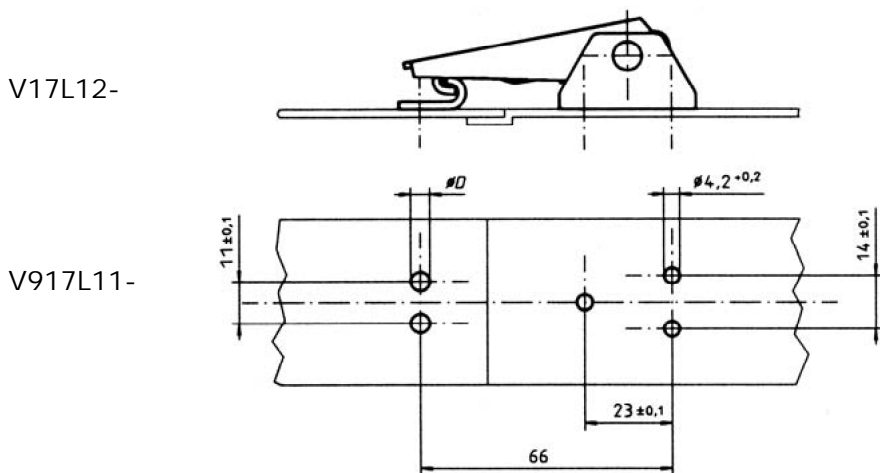


Article no.		Dimensions in mm	
Series	Material		D
	Zinc plated	Raw	
	Steel	Stainless steel	
V917L11-1-	3AG	-	4,2
V917L11-1-	1AG	1BP	5,1

Open-base tension latch/ open strike



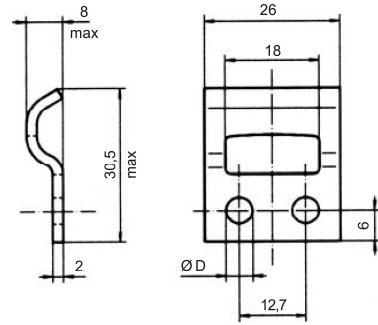
High-base tension latch/ open strike



Select diameter D and distance L in accordance with the strike and tension latch.

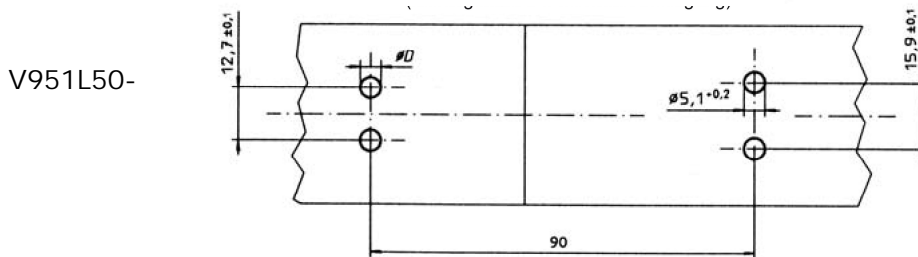
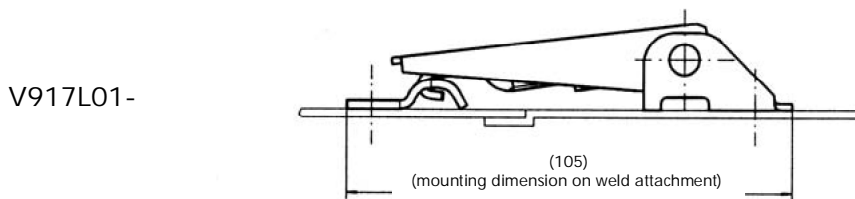
Adjustable latches

Suitable strike of series V917L01
1449L02

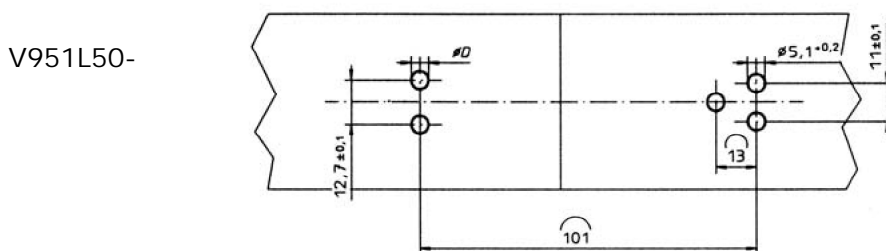
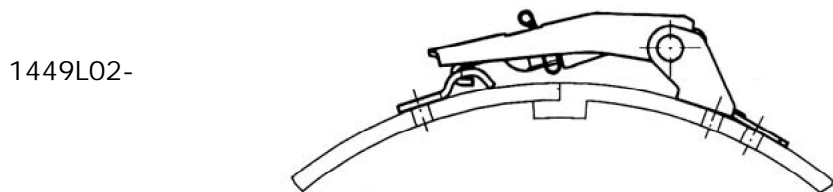


Article no.		Dimensions in mm	
Series	Material		D
	Zinc plated	Raw	
	Steel	Stainless steel	
V951L50-	1AGV	1BP	4,2
V951L50-	5AGV	-	5,1
V951L50-	-	3BP	without bore

Open-base tension latch/ closed strike



High-base tension latch/ closed strike

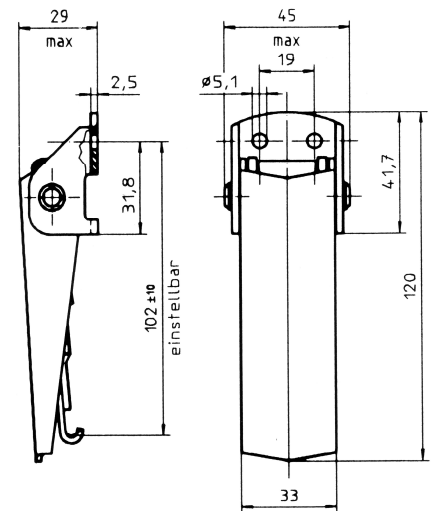
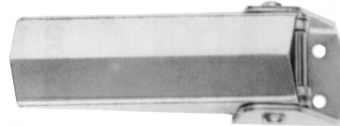


Select diameter D and distance L in accordance with the strike and tension latch.

Adjustable latches

Art.no. V18L01 (drilled)

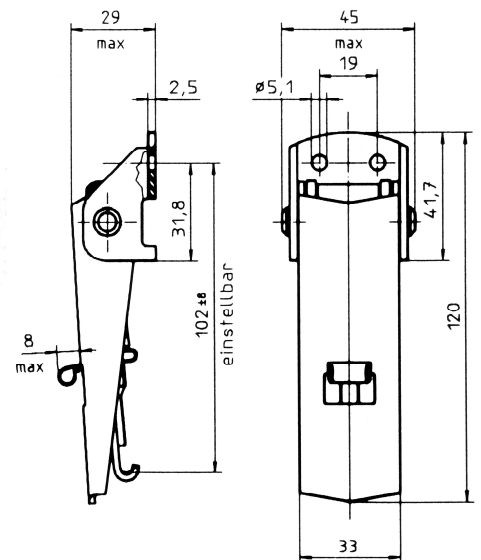
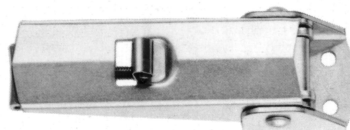
Tensile load max. 6000 N
Operating load up to 4200 N



Article no.			Dimensions in mm
Series	Material		
	Zinc plated	Raw	D
	Steel	Stainless steel	
V18L01-1-	1AA	1BF	5,1
V18L01-1-	-	2BF	without bore

Art.no. V18L01 (drilled)
with secondary lock

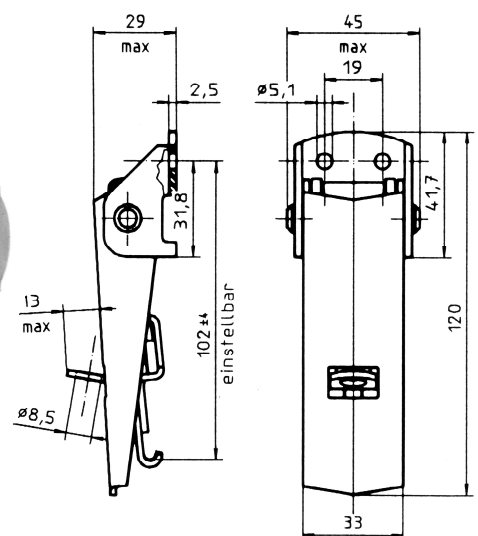
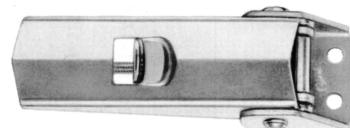
Tensile load max.. 6000 N
Operating load up to 4200 N



Article no.			Dimensions in mm
Series	Material		
	Zinc plated	Raw	D
	Steel	Stainless steel	
V18L01-1X	1AA	1BF	5,1
V18L01-1X	-	2BF	without bore

Art.no. V18L01 (drilled)
with hasp

Tensile load max.. 6000 N
Operating load up to 4200 N



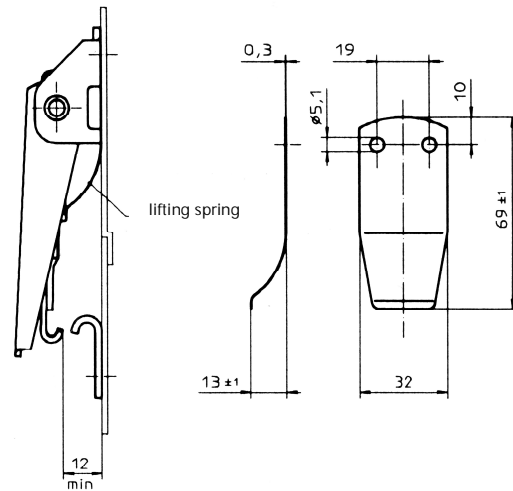
Article no.	
Series	Material
	Zinc plated
	Steel
V18L01-1Y	1AA

Adjustable latches

Accessories

Art.no.V18L45

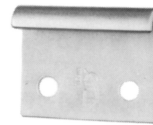
Article no.	
Series	Material
	Raw
	Stainless steel
V18L45-	1BP



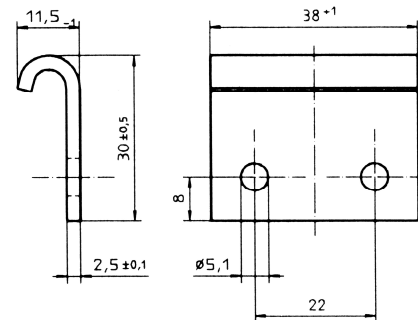
Suitable strike of Series **V18L01**

Zinc plated Stainless steel

Tensile load max. 6000 N 4600 N
Operating load 4200 N 3100 N

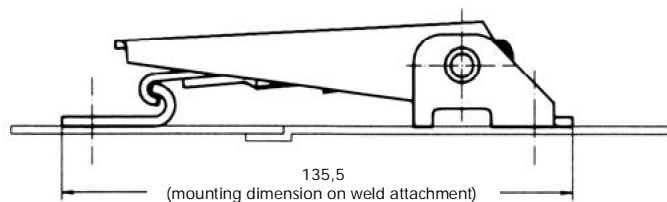


Article no.			Dimensions in mm
Series	Material		
	Zinc plated	Raw	D
	Steel	Stainless steel	
V18L13-1-	1AA	1BF	5,1
V18L13-1-	-	2BF	without bore

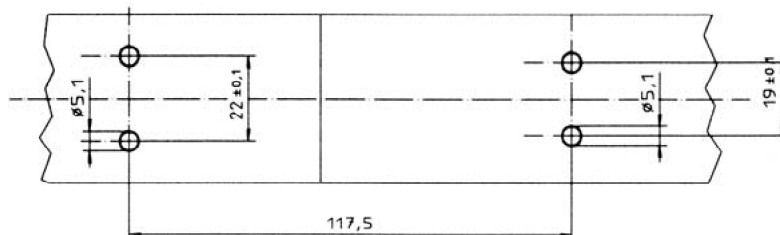


Tension latch/ open strike

V18L01-



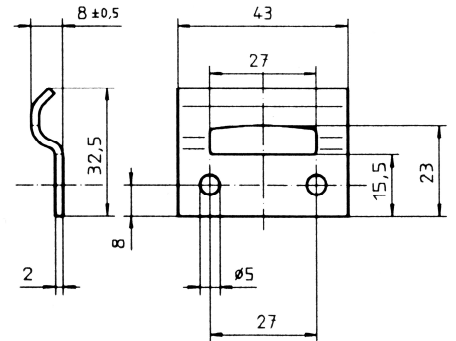
V18L13-



Adjustable latches

Suitable strike of Series V18L01

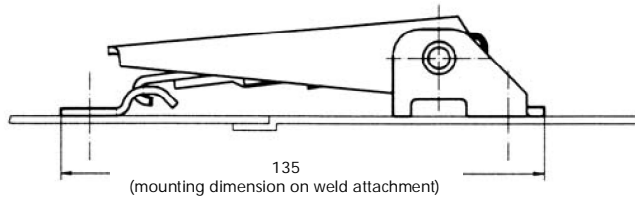
Tensile load max.. 4600 N
Operating load 3100 N



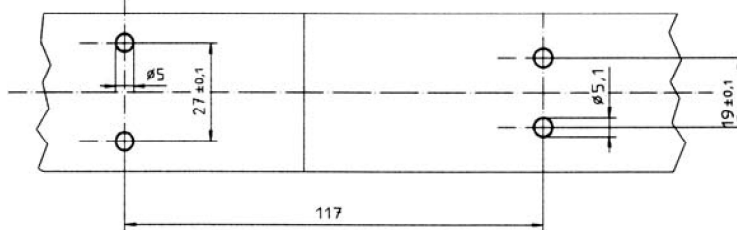
Article no.	
Series	Material
	Raw
	Stainless steel
1449L07-	1BP

Tension latch/ closed strike

V18L01-

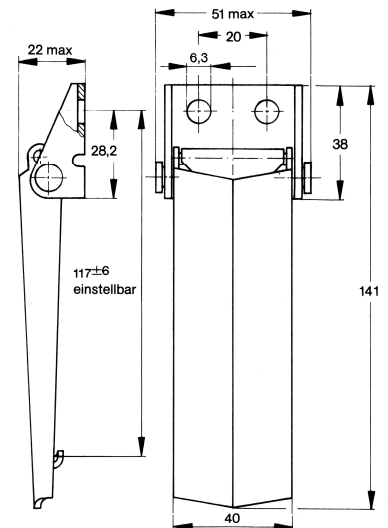
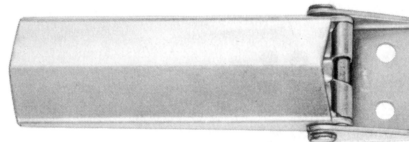


1449L07-



Art.no. V46L38 (drilled)

Tensile load max.. 4400 N
Operating load up to 3000 N



Article no.		Dimensions in mm
Series	Material	D
	Zinc plated yellow	
	Steel	
V46L38-1-	6AA	6,3
V46L38-1-	1AA	without bore

Suitable strike of Series V46L38

Article no.	
Series	Material
	Zinc plated yellow
	Steel
V18L13-1-	1AC

