



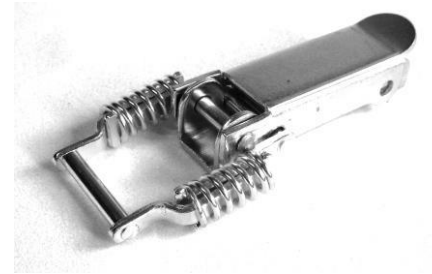
Spring latches



Art.: 1034



Art.: 6602



Art.: 6243



Art.: 1036



Art.: 6208



Art.: 3020



Art.: 6200



Art.: 6201



Art.: 6203



Art.: 95L



Art.: V96L

Spring latches

Art. no.: 1034 (drilled)

with spring brackets

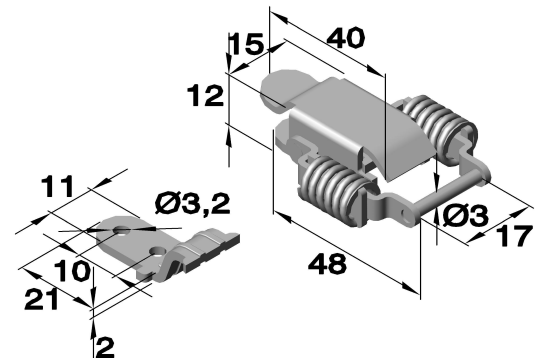
Permitted tractive force: 500 N

Breaking strength: 1500 N

Suitable strikes: see chapter „B“

Art. no.: 1034.__/5

Article no.		
Series	Material	
	Zinc plated	Raw
1034	Steel .04/6	Stainless steel .30/6



Art.no. 6243 (perforated)

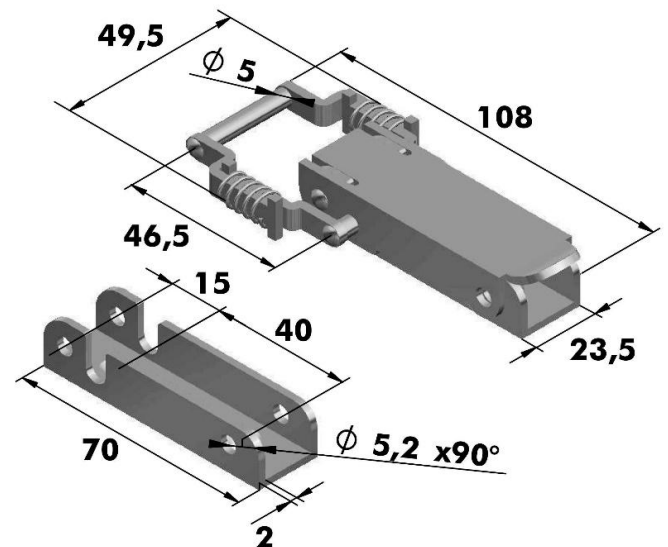
with spring brackets and secondary loop lock

Suitable strikes: see chapter „B“

Art.no. 6373.02.04

Art.no. 6377.01.04

Article no.		
Series	Material	
	Raw	Zinc plated
6243.01	Steel .00	Steel -
6243.02	-	Steel .04



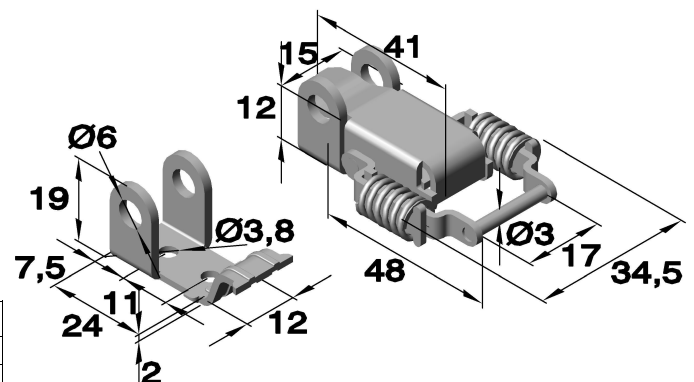
Art.no. 6255 (perforated)

with spring brackets and secondary loop lock

Suitable strikes: see chapter „B“

Art.no. 6605.____

Article no.		
Series	Material	
	Zinc plated	Raw
6255	Steel .03.04/6	Stainless steel .04.30/6

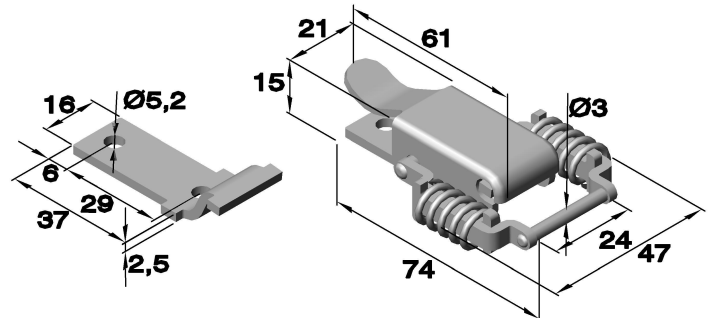


Spring latches

Art. no.: 6602 (drilled)
with spring brackets

Suitable Strikes: see chapter „B“
Art. no.: 6603. __

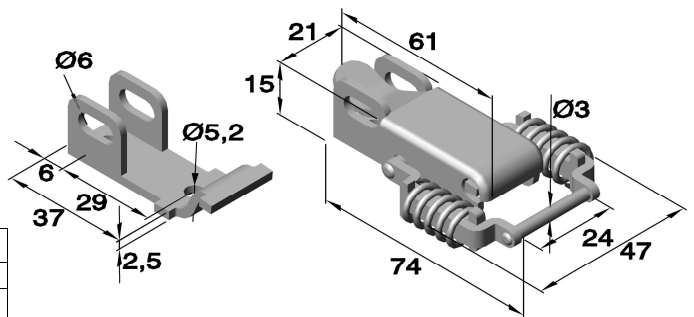
Article no.		
Series	Material	
	Zinc plated	Raw
6602	Steel	Stainless steel
	.05.04	.06.30



Art.no. 6610 (drilled)
with spring brackets

Suitable strikes: see chapter „B“
Art.no. 6603. __

Article no.		
Series	Material	
	Zinc plated	Raw
6610.05	Steel	Stainless steel
	.04	.30

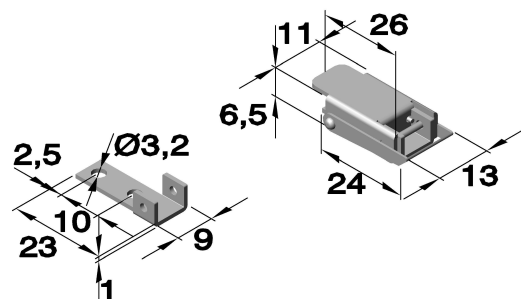


Art. no.: 1036 (drilled)
with spring brackets

Permitted tractive force: 150 N
Breaking strength: 300 N

Suitable strikes: see chapter „B“
Art. no.: 1036. __/5

Article no.	
Series	Material
	Zinc plated
1036	Steel
	.04/6

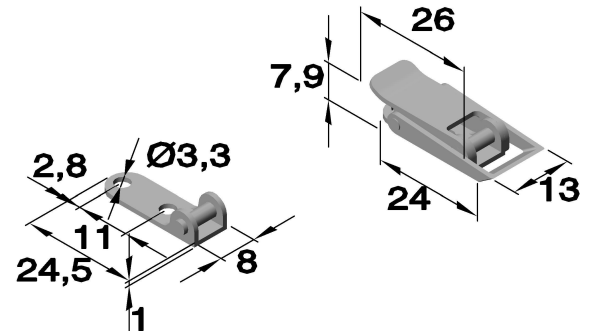


Spring latches

Art.no. 6208.02(drilled)
with spring brackets

Suitable strikes: see chapter „B“
Art.no.6379.01.30

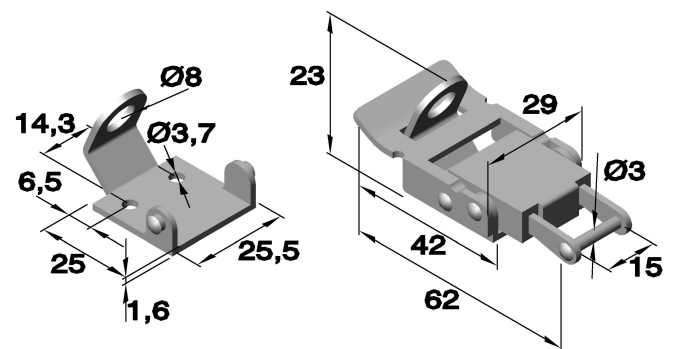
Article no.	
Series	Material
	Raw
	Stainless steel
6208	.02.30



Art. no.: 6200.01 (drilled)
with spring brackets and secondary loop lock

Suitable Strikes: see chapter „B“
Art. no.: 6200.30

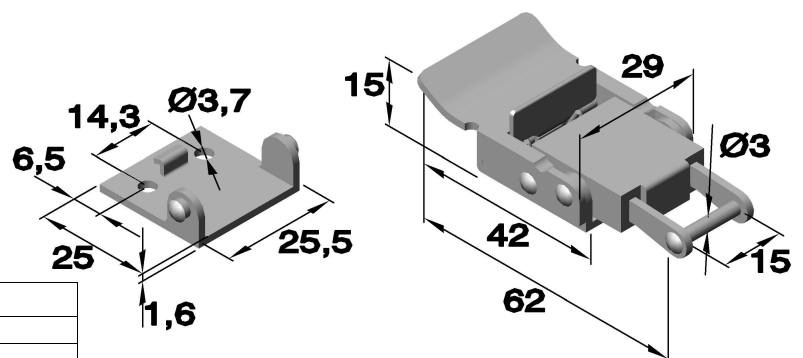
Article no.			
Series	Execution	Material	
		Zinc plated	Raw
		Steel	Stainless steel
6200	.01	.04	.30



Art. no.: 6201.01 (drilled)
with spring brackets and safety spring

Suitable Strikes: see chapter „B“
Art. no.: 6200.30

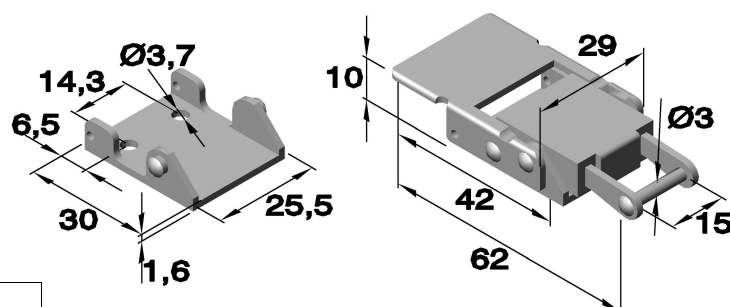
Article no.		
Series	Execution	Material
		Raw
		Stainless steel
6201	.01	.30



Spring latches

Art. no.: 6203.01 (drilled)
with spring brackets

Suitable Strikes: see chapter „B“
Art. no.: 6200.30



Article no.		
Series	Execution	Material
		Raw
6203	.01	Stainless steel
		.30

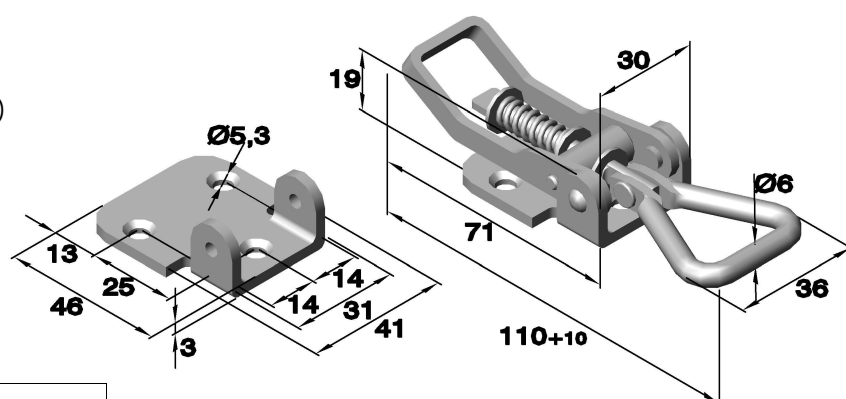
Art. no.: 3020 (drilled and countersunk)
with spring riveted triangle

Suitable Strikes: see chapter „B“

Art. no.: 3608. __ Art. no.: 3622. __

Art. no.: 3611. __ Art. no.: 3625. __

Art. no.: 3612. __



Article no.	
Series	Material
	Zinc plated
3020	Steel
	.04

Spring latches



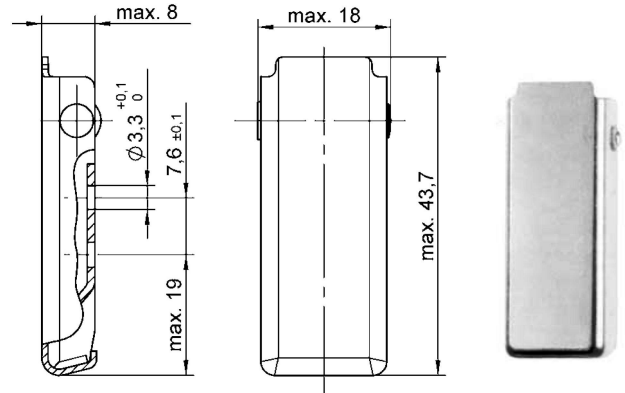
Traditionally Innovative

Art. no. 95L (drilled)

Tolerance compensation per spring clip

Tensile load max. 445 N
Operating load 220 N

Article no.	
Series	Material
	Raw
	Stainless steel
V95L07-1-1	BC

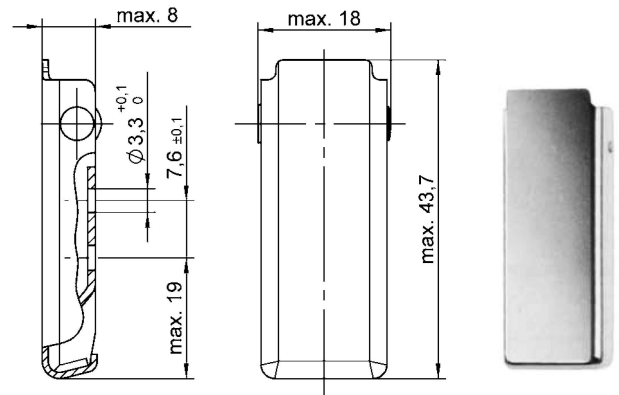


Art.No. 95L (drilled)

Tolerance compensation per spring clip

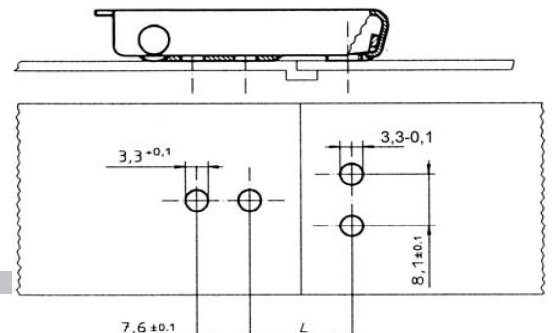
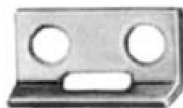
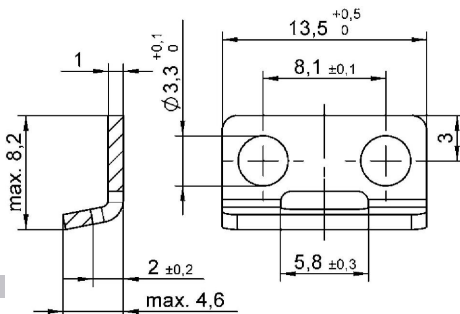
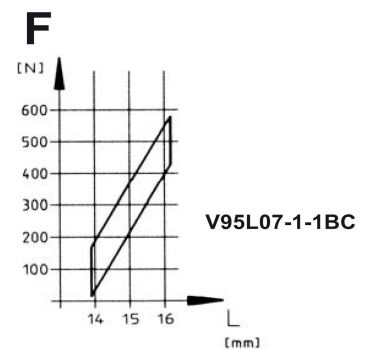
Tensile load max. 445 N
Operating load 220 N

Article no.	
Series	Material
	Chrome plated
	Steel
V95L15-1	BD



Suitable clamp

Article no.	
Series	Material
	Raw
	Stainless steel
V95H07-1-1	BC



Phone:
Fax:
Email:
Homepage:

+49 (0) 231 / 725 790 -10
info@hokon-verschlusstechnik.de
www.hokon-verschlusstechnik.de

Spring latches



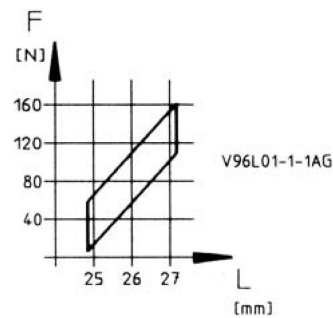
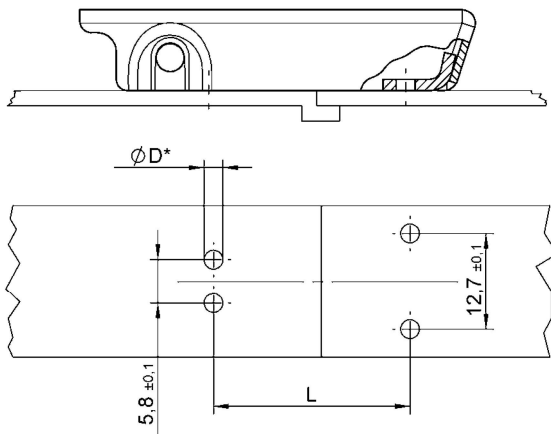
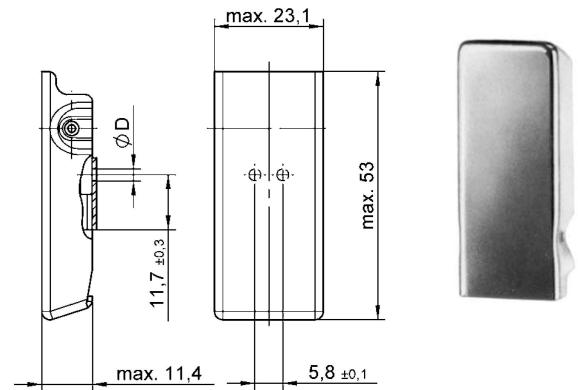
Art.No. V96L (drilled)

Tolerance compensation per spring clip

Tensile load max. 1000 N

Operating load 650 N

Article no.		hole Ø
Series	Material	
	Zinc plated Chrome plated	
	Steel Steel	
V96L01-1-	1AO 1AG	2,5
V96L01-1-	2AO 2AG	3,2



Hole diameter according to the selected design

Suitable clamp

Article no.		hole Ø
Series	Material	
	Zinc plated Steel	
V96H01-1-	1AO	2,5
V96H01-1-	2AO	3,2

