



Strikes



Strikes

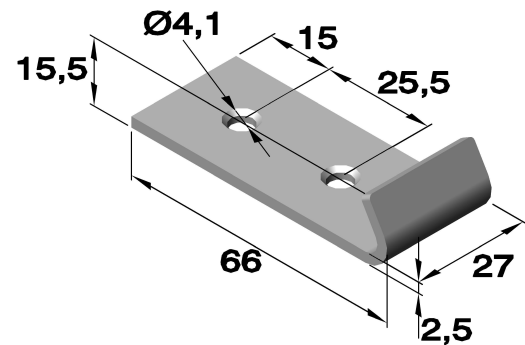
Art. no.: 1001 (drilled and countersunk)

Strike for latch: see chapter „A“

Art. no.: 1001._./6 Art. no.: 1004._./6

Art. no.: 1002._./6 Art. no.: 1021._./6

Art. no.: 1003._./6 Art. no.: 1070._./6



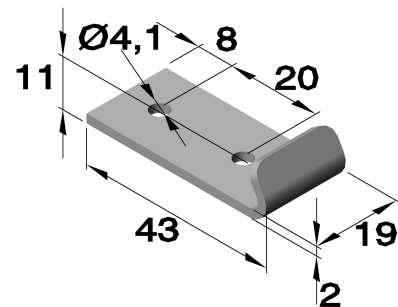
Article no.				
Series	Material			
	Raw	Nickel plated	Zinc plated	Raw
	Steel	Steel	Steel	Stainless steel
1001	.00/5	.01/5	.04/5	.30/5

Art. no.: 1006 (drilled)

Strike for latch: see chapter „A“

Art. no.: 1006._./6

Art. no.: 1007._./6

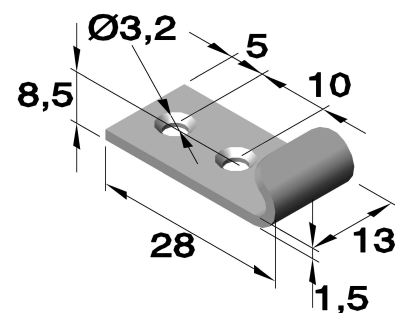


Article no.				
Series	Material			
	Raw	Nickel plated	Zinc plated	Raw
	Steel	Steel	Steel	Stainless steel
1006	.00/5	.01/5	.04/5	.30/5

Art. no.: 1008 (drilled and countersunk)

Strike for latch: see chapter „A“

Art. no.: 1008._./6



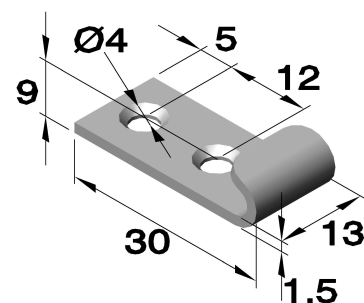
Article no.				
Series	Material			
	Raw	Nickel plated	Zinc plated	Raw
	Steel	Steel	Steel	Stainless steel
1008	.00/5	.01/5	.04/5	.30/5

Art. no.: 1009 (drilled and countersunk)

Strike for latch: see chapter „A“

Art. no.: 1009._./6 Art. no.: 1012._./6

Art. no.: 1010._./6



Article no.				
Series	Material			
	Raw	Nickel plated	Zinc plated	Raw
	Steel	Steel	Steel	Stainless steel
1009	.00/5	.01/5	.04/5	.30/5

Strikes

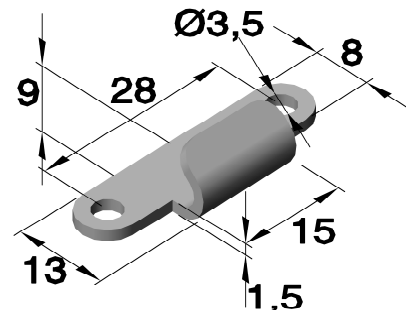
Art. no.: 1013 (drilled)

Strike for latch: see chapter „A“

Art. no.: 1013.__/6

Art. no.: 1014.__/6

Article no.				
Series	Material			
	Raw	Nickel plated	Zinc plated	Raw
	Steel	Steel	Steel	Stainless steel
1013	.00/5	.01/5	.04/5	.30/5



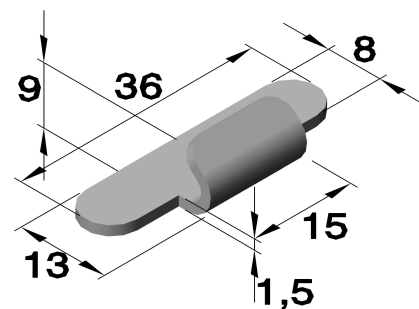
Art. no.: 1013

Strike for latch: see chapter „A“

Art. no.: 1013.__/6

Art. no.: 1014.__/6

Article no.	
Series	Material
	Raw
	Steel
1013	.00/5-10



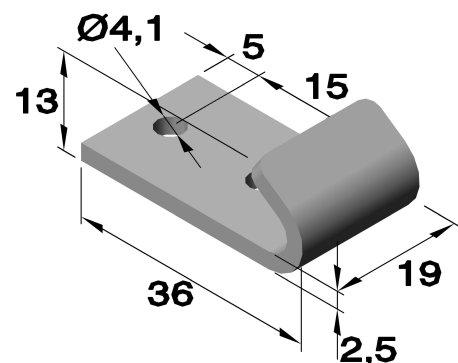
Art. no.: 1015 (drilled)

Strike for latch: see chapter „A“

Art. no.: 1015.__/6 Art. no.: 1017.__/6

Art. no.: 1016.__/6 Art. no.: 1018.__/6

Article no.				
Series	Material			
	Raw	Nickel plated	Zinc plated	Raw
	Steel	Steel	Steel	Stainless steel
1015	.00/5	.01/5	.04/5	.30/5



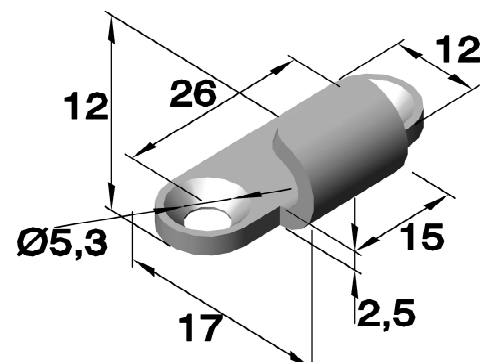
Art. no.: 1024 (drilled)

Strike for latch: see chapter „A“

Art. no.: 1024.__/6

Art. no.: 1025.__/6

Article no.		
Series	Material	
	Zinc plated	Raw
	Steel	Stainless steel
1024	.04/5	.30/5



Strikes

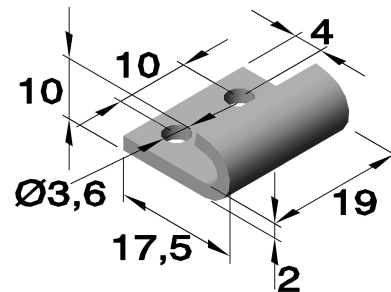
Art. no.: 1027 (drilled)

Strike for latch: see chapter „A“

Art. no.: 1027.__/6

Art. no.: 1028.__/6

Article no.		
Series	Material	
	Nickel plated	Zinc plated
	Steel	Steel
1027	.01/5	.04/5



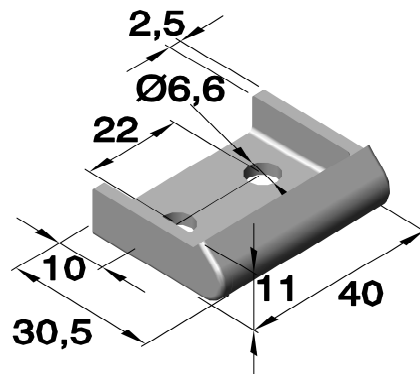
Art. no.: 1029 (drilled)

Strike for latch: see chapter „A“

Art. no.: 1029.__/6

Art. no.: 1030.__/6

Article no.		
Series	Material	
	Zinc plated	
	Steel	
1029	.04/5	



Art. no.: 1031 (drilled)

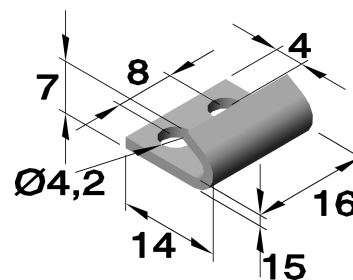
Strike for latch: see chapter „A“

Art. no.: 1031.__/6

Art. no.: 1033.__/6

Art. no.: 1032.__/6

Article no.		
Series	Material	
	Zinc plated	Raw
	Steel	Stainless steel
1031	.04/5	.30/5



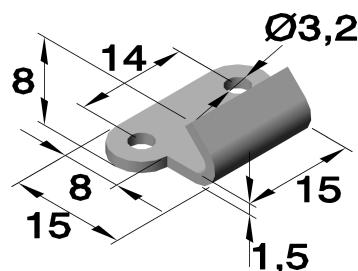
Art. no.: 1034 (drilled)

Strike for latch: see chapter „A“

Art. no.: 1034.__/6

Art. no.: 1035.__/6

Article no.		
Series	Material	
	Zinc plated	Raw
	Steel	Stainless steel
1034	.04/5	.30/5



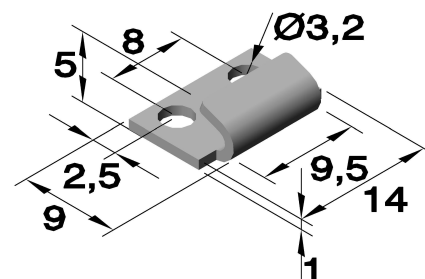
Strikes

Art. no.: 1036 (drilled)

Strike for latch: see chapter „A“

Art. no.: 1036.__/6

Art. no.: 1037.__/6

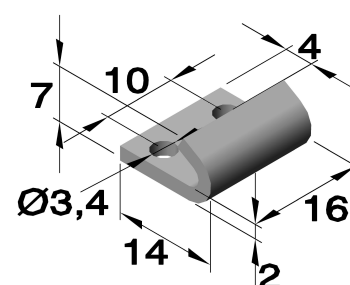


Article no.	
Series	Material
	Zinc plated
	Steel
1036	.04/5

Art. no.: 1038 (drilled)

Strike for latch: see chapter „A“

Art. no.: 1038.__/6



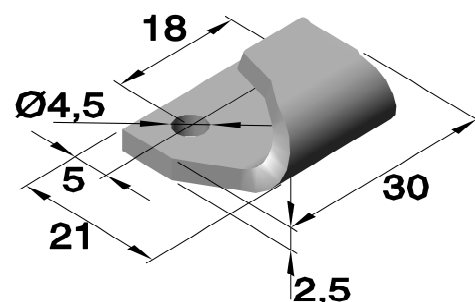
Article no.	
Series	Material
	Zinc plated
	Steel
1038	.04/5

Art. no.: 1039 (drilled)

Strike for latch: see chapter „A“

Art. no.: 1022.__/6

Art. no.: 1039.__/6

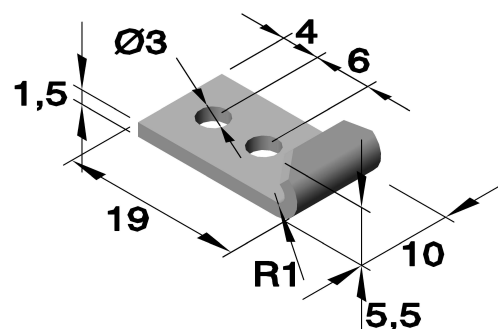


Article no.		
Series	Material	
	Zinc plated	Bronzed
	Steel	Steel
	1039	.04/5

Art. no.: 3601 (drilled)

Strike for latch: see chapter „A“

Art. no.: 3001



Article no.	
Series	Material
	Zinc plated
	Steel
	3601

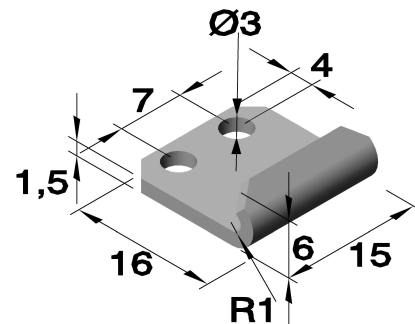
Strikes

Art. no.: 3602 (drilled)

Strike for latch: see chapter „A“

Art. no.: 1008. __ Art. no.: 1010. __ Art. no.: 1013. __
Art. no.: 1009. __ Art. no.: 1012. __ Art. no.: 1014. __

Article no.	
Series	Material
	Zinc plated
	Steel
3602	.04

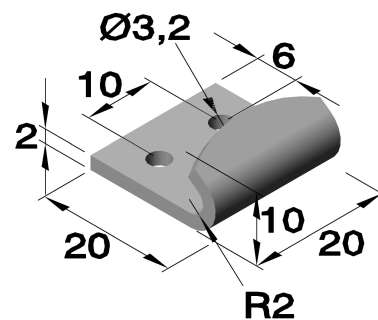


Art. no.: 3603 (drilled)

Strike for latch: see chapter „A“

Art. no.: 3003

Article no.	
Series	Material
	Zinc plated
	Steel
3603	.04

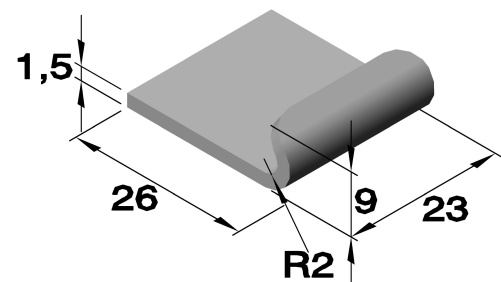


Art. no.: 3604

Strike for latch: see chapter „A“

Art. no.: 3004. __ Art. no.: 3007. __
Art. no.: 3005. __ Art. no.: 3008. __
Art. no.: 3006. __ Art. no.: 3009. __

Article no.	
Series	Material
	Raw
	Steel
3604	.00-U1

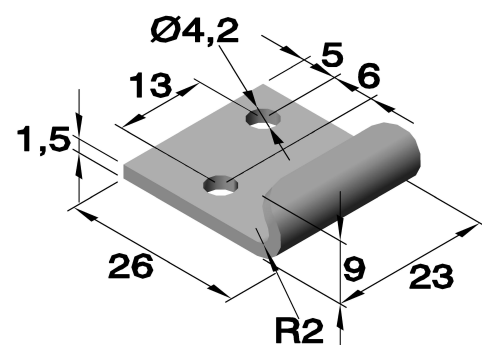


Art. no.: 3604 (drilled)

Strike for latch: see chapter „A“

Art. no.: 3004. __ Art. no.: 3007. __
Art. no.: 3005. __ Art. no.: 3008. __
Art. no.: 3006. __ Art. no.: 3009. __

Article no.	
Series	Material
	Zinc plated
	Steel
3604	.04



Strikes

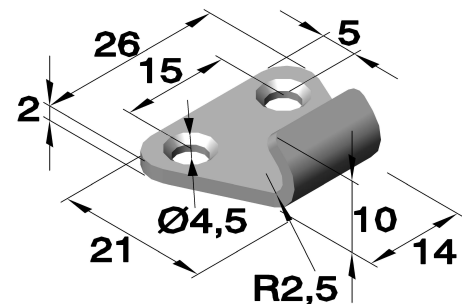
Art. no.: 3605 (drilled and countersunk)

Strike for latch: see chapter „A“

Art. no.: 3012. __ Art. no.: 3014. __

Art. no.: 3013. __

Article no.		
Series	Material	
	Zinc plated	Raw
	Steel	Stainless-steel
3605	.04	.30



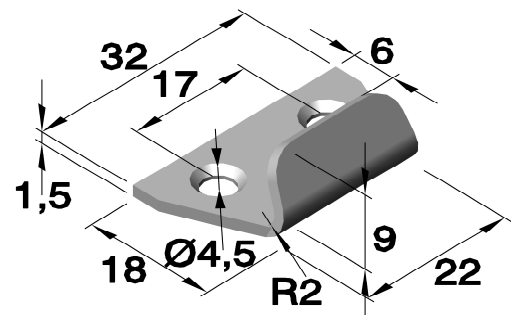
Art. no.: 3606 (drilled and countersunk)

Strike for latch: see chapter „A“

Art. no.: 3007. __ Art. no.: 3009. __

Art. no.: 3008. __

Article no.	
Series	Material
	Zinc plated
	Steel
3606	.04

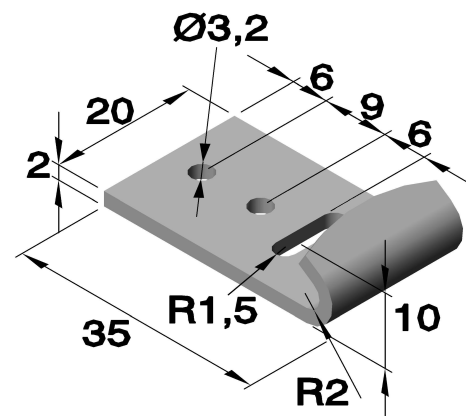


Art. no.: 3607 (drilled)

Strike for latch: see chapter „A“

Art. no.: 3003. __

Article no.		
Series	Material	
	Zinc plated	Raw
	Steel	Stainless steel
3607	.04	.30



Art. no.: 3608 (drilled and countersunk)

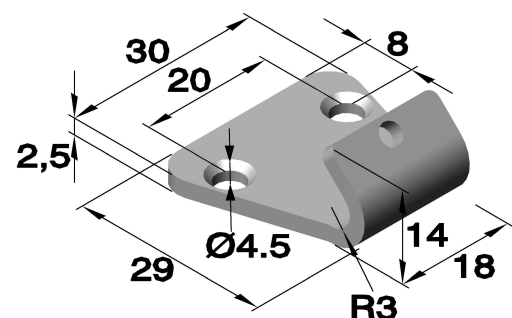
Strike for latch: see chapter „A“

Art. no.: 3010. __ Art. no.: 3018. __

Art. no.: 3011. __ Art. no.: 3019. __

Art. no.: 3015. __ Art. no.: 3020. __

Article no.			
Series	Material		
	Zinc plated	Raw	Polished
	Steel	Stainless steel	Stainless steel
3608	.04	.30	.33



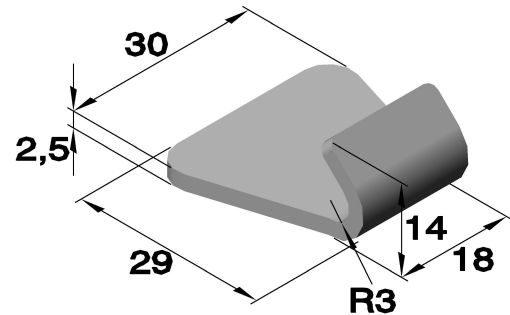
Strikes

Art. no.: 3608

Strike for latch: see chapter „A“

Art. no.: 3010. __ Art. no.: 3018. __
 Art. no.: 3011. __ Art. no.: 3019. __
 Art. no.: 3015. __ Art. no.: 3020. __

Article no.			
Series	Material		
	Raw	Zinc plated	Raw
	Steel	Steel	Stainless steel
3608	.00-U1	.04-U1	.30-U1

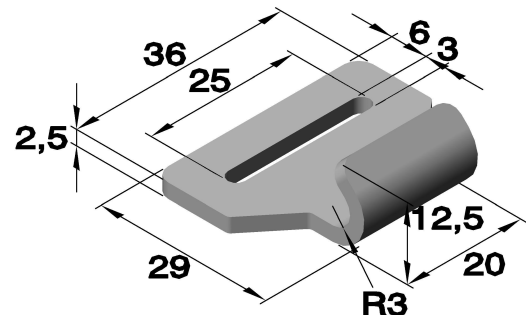


Art. no.: 3609

Strike for latch: see chapter „A“

Art. no.: 3017. __

Article no.		
Series	Material	
	Zinc plated	Raw
	Steel	Stainless steel
3609	.04	.30

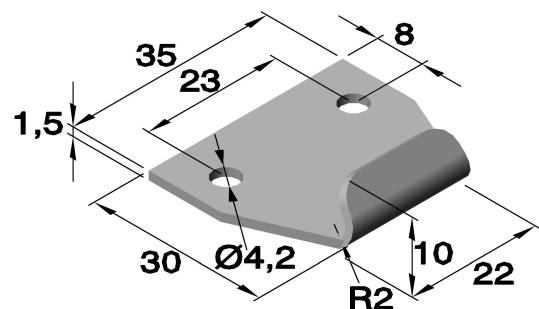


Art. no.: 3610 (drilled)

Strike for latch: see chapter „A“

Art. no.: 3007. __ Art. no.: 3009. __
 Art. no.: 3008. __

Article no.		
Series	Material	
	Zinc plated	Raw
	Steel	Stainless steel
3610	.04	.30

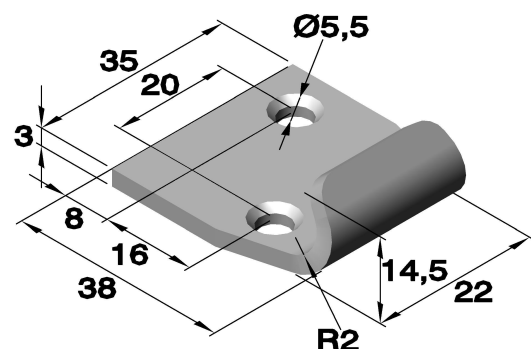


Art. no.: 3611 (drilled and countersunk)

Strike for latch: see chapter „A“

Art. no.: 3010. __ Art. no.: 3018. __
 Art. no.: 3011. __ Art. no.: 3019. __
 Art. no.: 3015. __ Art. no.: 3020. __

Article no.			
Series	Material		
	Zinc plated	Raw	Polished
	Steel	Stainless steel	Stainless steel
	.04	.30	.33
3611	.04	.30	.33



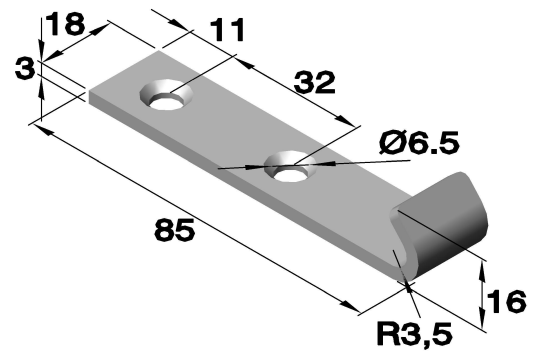
Strikes

Art. no.: 3612 (drilled and countersunk)

Strike for latch: see chapter „A“

Art. no.: 3010.__ Art. no.: 3019.__
 Art. no.: 3011.__ Art. no.: 3020.__
 Art. no.: 3015.__ Art. no.: 3320.__
 Art. no.: 3018.__ Art. no.: 3520.__

Article no.				
Series	Material			
	Raw	Zinc plated	Raw	Polished
	Steel	Steel	Stainless steel	Stainless steel
3612	.00	.04	.30	.33

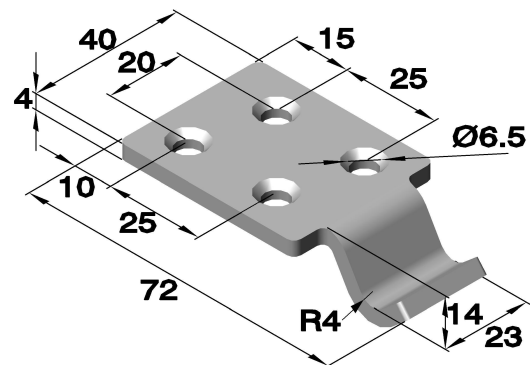


Art. no.: 3615 (drilled and countersunk)

Strike for latch: see chapter „A“

Art. no.: 3320.__ Art. no.: 3520.__

Article no.	
Series	Material
	Zinc plated
	Steel
3615	.04

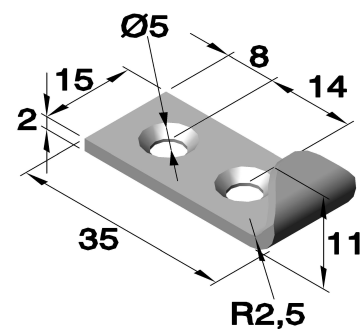


Art. no.: 3616 (drilled and countersunk)

Strike for latch: see chapter „A“

Art. no.: 3012.__ Art. no.: 3014.__
 Art. no.: 3013.__

Article no.	
Series	Material
	Zinc plated
	Steel
3616	.04

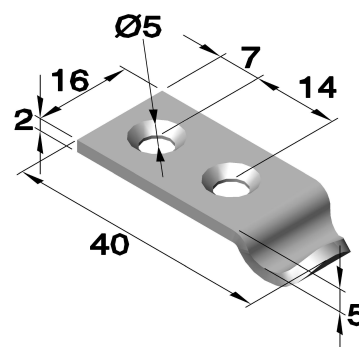


Art. no.: 3618 (drilled and countersunk)

Strike for latch: see chapter „A“

Art. no.: 3012.__ Art. no.: 3014.__
 Art. no.: 3013.__

Article no.		
Series	Material	
	Zinc plated	Raw
	Steel	Stainless steel
3618	.04	.30



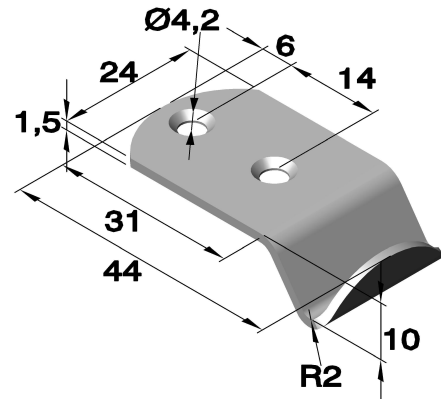
Strikes

Art. no.: 3619 (drilled and countersunk)

Strike for latch: see chapter „A“

Art. no.: 3004.____ Art. no.: 3007.____
 Art. no.: 3005.____ Art. no.: 3008.____
 Art. no.: 3006.____ Art. no.: 3009.____

Article no.	
Series	Material
	Zinc plated
	Steel
3619	.04

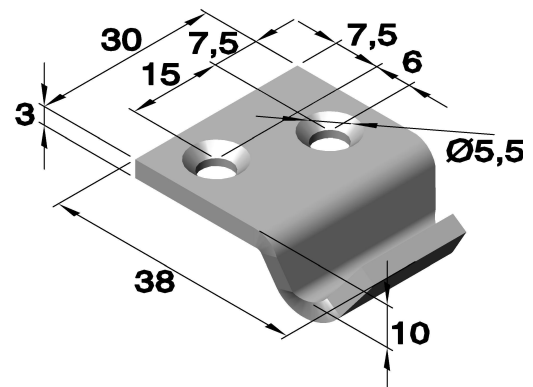


Art. no.: 3620 (drilled and countersunk)

Strike for latch: see chapter „A“

Art. no.: 3320.____
 Art. no.: 3520.____

Article no.	
Series	Material
	Zinc plated
	Steel
3620	.04

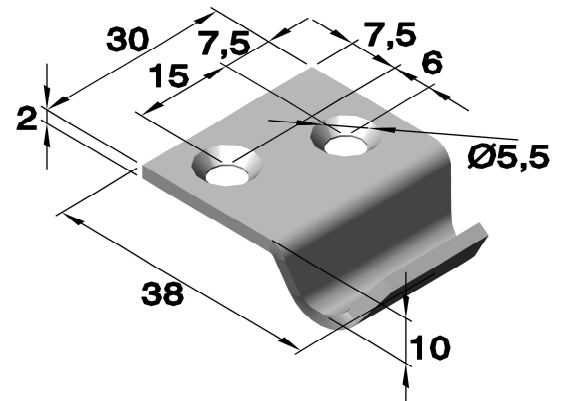


Art.Nr. 3620 (drilled and countersunk)

Strike for latch: see chapter „A“

Art.no. 3320.____
 Art.no. 3520.____

Article no.		
Series	Material	
	Raw	Polished
	Stainless steel	Stainless steel
3620	.30	.33

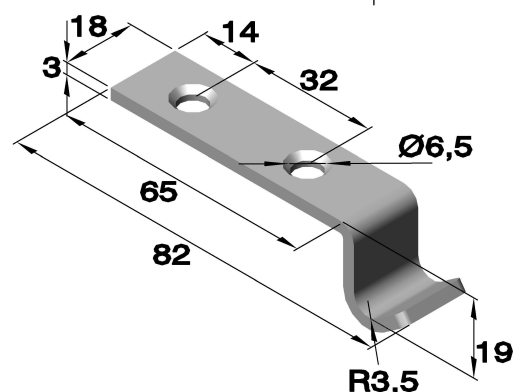


Art. no.: 3622 (drilled and countersunk)

Strike for latch: see chapter „A“

Art. no.: 3010.____ Art. no.: 3018.____ Art. no.: 3320.____
 Art. no.: 3011.____ Art. no.: 3019.____ Art. no.: 3520.____
 Art. no.: 3015.____ Art. no.: 3020.____

Article no.		
Series	Material	
	Zinc plated	Polished
	Steel	Stainless steel
3622	.04	.33



Strikes

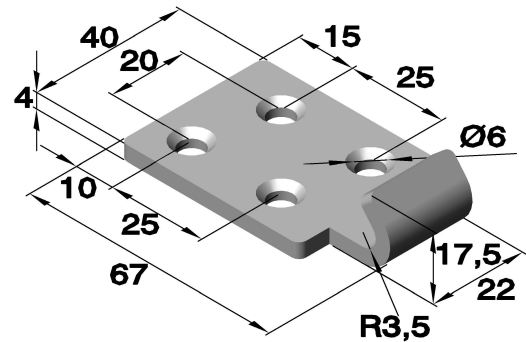
Art. no.: 3623 (drilled and countersunk)

Strike for latch: see chapter „A“

Art. no.: 3320.__

Art. no.: 3520.__

Article no.	
Series	Material
	Zinc plated
	Steel
3623	.04



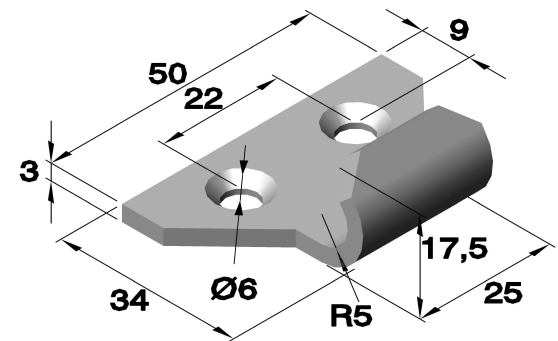
Art. no.: 3624 (drilled and countersunk)

Strike for latch: see chapter „A“

Art. no.: 3320.__

Art. no.: 3520.__

Article no.		
Series	Material	
	Zinc plated	Raw
	Steel	Stainless steel
3624	.04	.30



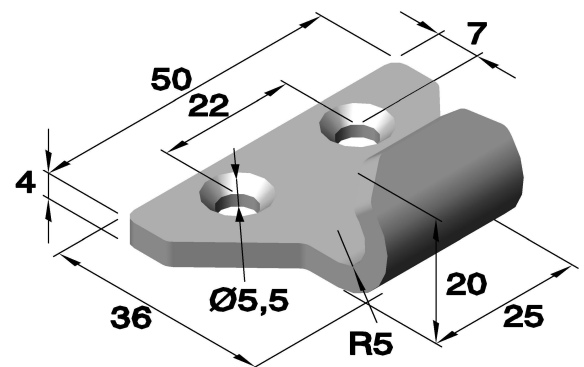
Art. no.: 3624.__RF-3 (drilled and countersunk)

Strike for latch: see chapter „A“

Art. no.: 3320.__

Art. no.: 3520.__

Article no.	
Series	Material
	Raw
	Stainless steel
3624	.30RF-3



Art. no.: 3625 (drilled and countersunk)

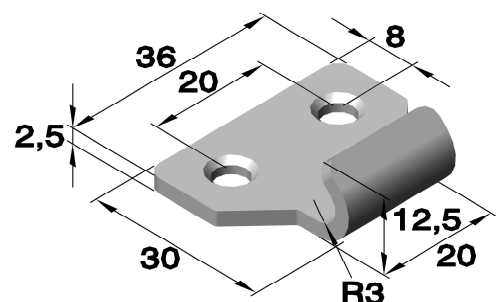
Strike for latch: see chapter „A“

Art. no.: 3010.__ Art. no.: 3018.__

Art. no.: 3011.__ Art. no.: 3019.__

Art. no.: 3015.__ Art. no.: 3020.__

Article no.		
Series	Material	
	Zinc plated	Raw
	Steel	Stainless steel
3625	.04	.30



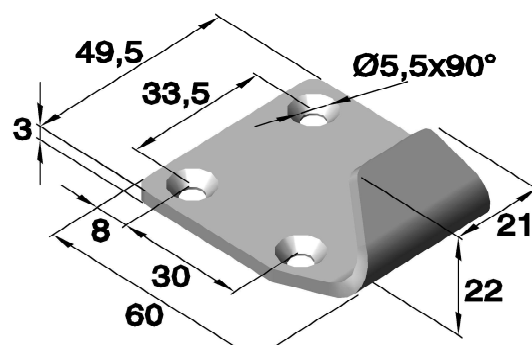
Strikes

Art. no.: 3626 (drilled and countersunk)

Strike for latch: see chapter „A“

Art. no.: 3320.__

Art. no.: 3520.__



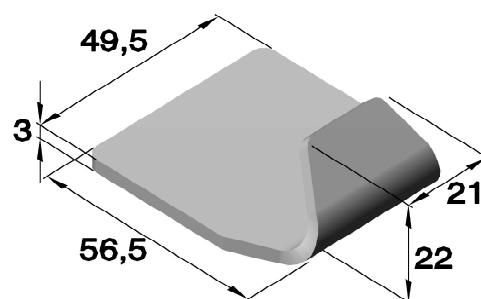
Article no.	
Series	Material
	Raw
	Stainless steel
3626	.30

Art.no. 3626.__-U1

Strike for latch: see chapter „A“

Art.no. 3320.__

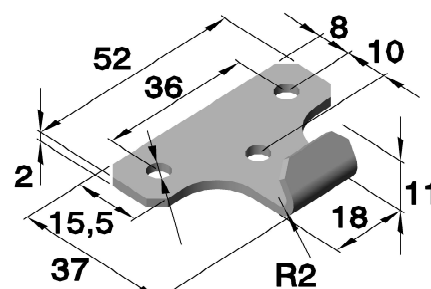
Art.no. 3520.__



Article no.	
Series	Material
	Raw
	Stainless steel
3626	.30-U1

Art. no.: 3627 (drilled)

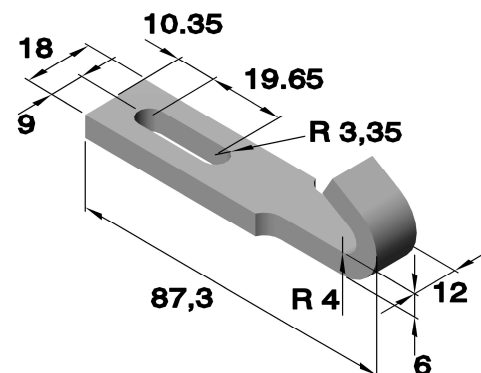
Strike for latch: see chapter „A“



Article no.	
Series	Material
	Nickel plated
	Steel
3627	.01

Art.no. 3633. (drilled)

Strike for latch: see chapter „A“



Article no.	
Series	Material
	Zinc plated
	Steel
3633	.04

Strikes

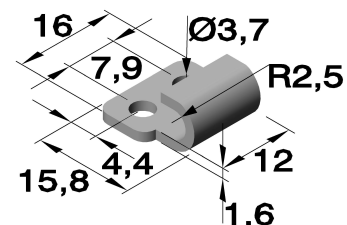
Art. no.: 6200. (drilled)

Strike for latch: see chapter „A“

Art. no.: 6200.01.30

Art. no.: 6201.01.30

Art. no.: 6203.01.30

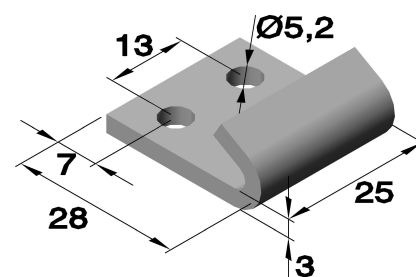


Article no.		
Series	Material	
	Zinc plated	Raw
6200	Steel	Stainless steel
	.04	.30

Art. no.: 6375.02. (drilled)

Strike for latch: see chapter „A“

Art. no.: 6370.04

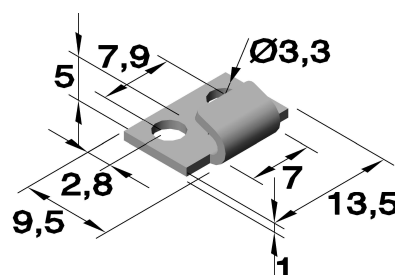


Article no.	
Series	Material
	Zinc plated
6375.02	Steel
	.04

Art. no.: 6379.01. (drilled)

Strike for latch: see chapter „A“

Art. no.: 6208.02.30

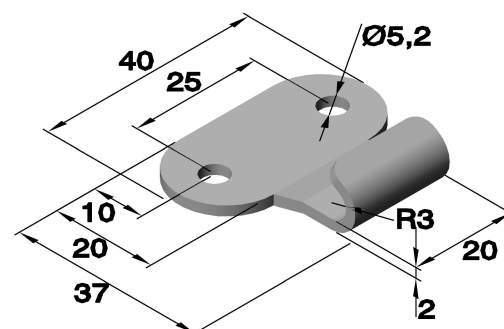


Article no.	
Series	Material
	Raw
6379.01	Stainless steel
	.30

Art. no.: 6603. (drilled)

Strike for latch: see chapter „A“

Art. no.: 6602. __.



Article no.			
Series	Material		
	Raw	Zinc plated	Raw
6603	Stainless steel	Steel	Stainless steel
	Without holes .03.30	.05.04	.06.30

Strikes

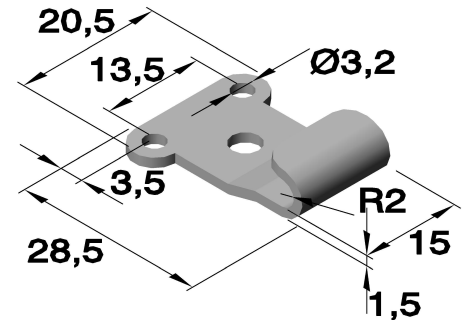
Art. no.: 6605. (drilled)

Strike for latch: see chapter „A“

Art. no.: 6255. __.

Art. no.: 6604. __.

Article no.				
Series	Material			
	Zinc plated Steel	Zinc plated Steel	Raw Stainless steel	Raw Stainless steel
6605	Without holes .01.04	.02.04	Without holes .03.30	.06.30

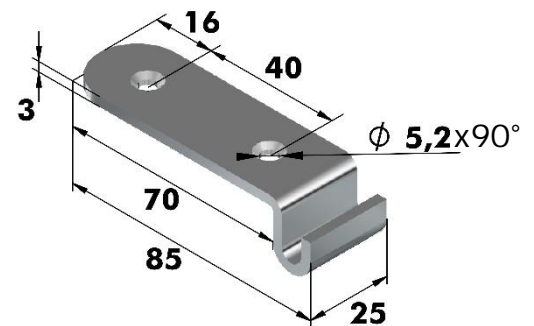


Art.no. 6373

Strike for latch: see chapter „A“

Art.no. 6243. __.

Article no.	
Series	Material
	Zinc plated Steel
6373	.02.04

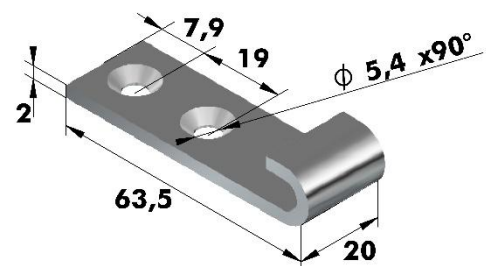


Art.no. 6377

Strike for latch: see chapter „A“

Art.no. 6243. __.

Article no.	
Series	Material
	Zinc plated Steel
6377	.01.04



Art.no. 99.D28-02

Article no.	
Series	Material
	Zinc plated Steel
99.D28-02	.04

