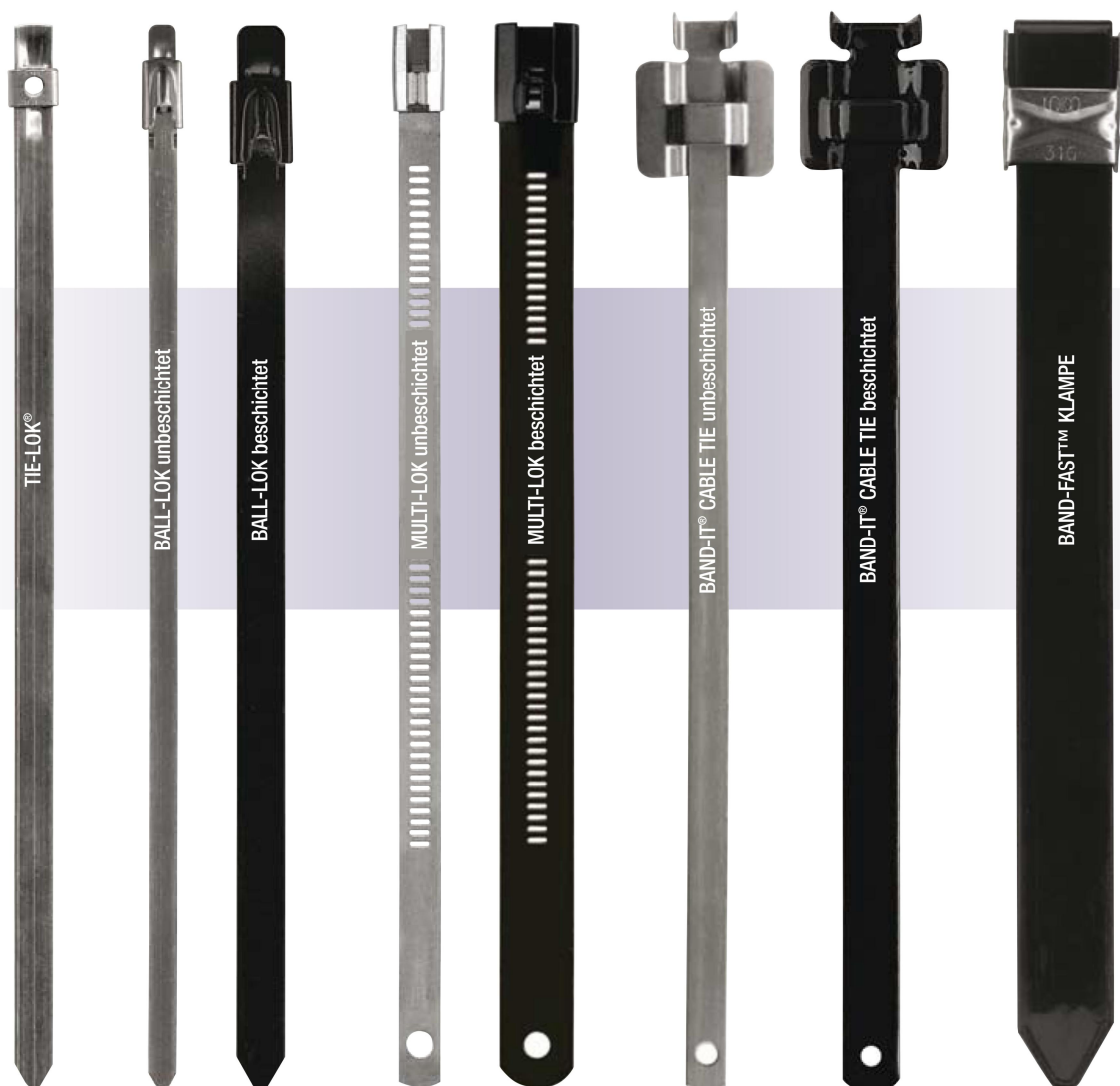




## „BAND-IT“ Tension bands and Cable ties



## „BAND-IT“

### Tension bands and Cable ties

Tension band „Series 1101“  
„BAND-FAST“ pre-cut and assembled  
with „VALU-CLIP“

Material and surface finish:  
Raw, stainless steel (V2A)



Article no.			Dimensions in mm					Package quantity
Series	Execution	Material	Width	Thickness	Length	Maximum Diameter		
		Stainless steel				Single Wrap	Double Wrap	
		V2A						
1101	.L 20499	.30	6.4	0.51	400	88	38	100/St.
1101	.L 20799	.30	6.4	0.51	480	127	63	100/St.
1101	.L 20899	.30	6.4	0.51	680	177	88	100/St.
1101	.L 21099	.30	6.4	0.51	860	228	114	100/St.
1101	.L 22199	.30	9.6	0.64	400	88	38	100/St.
1101	.L 22999	.30	9.6	0.64	1120	305	152	25/St.
1101	.L 24299	.30	12.7	0.76	450	102	50	100/St.
1101	.L 24699	.30	12.7	0.76	780	203	101	25/St.
1101	.L 26399	.30	15.9	0.76	530	127	63	100/St.
1101	.L 27199	.30	15.9	0.76	1420	406	203	25/St.
1101	.L 27399	.30	15.9	0.76	1930	508	175	25/St.
1101	.L 28499	.30	19.1	0.76	600	152	76	50/St.
1101	.L 28899	.30	19.1	0.76	930	254	127	25/St.
1101	.L 29099	.30	19.1	0.76	1270	355	177	25/St.
1101	.L 29299	.30	19.1	0.76	1570	457	228	25/St.




By greater dimensions we recommend our endless belt with loose catches.

Situation as of delivery	Single Wrap for lubricated surfaces	Double Wrap for non-lubricated surfaces

## „BAND-IT“

### Spannbänder und Kabelbinder

Clamping tools for „Series 1101“		
Art. no.: C 00189	Art. no.: C 00369	Art. no.: C 07569 „Bantam“
		
Art. no.: C 40099 „ratchet“	Art. no.: C 08599 „Bantam-ratchet“	Art. no.: J 02069 max. width up to 9.6 mm
		

How to use it Art. no.: C 07569 „Bantam“		
		
1. Pull the band through the catch 2. Insert in the tool	3. Tense it with the ratchet	4. Nod it in the opposite direction 5. Cut off 6. Clamp

## „BAND-IT“

### Tension bands and Cable ties

#### Endless belt „Series 1101“

„VALUSTRAP“ for loose „VALU-CLIPS“

Material and surface finish:

Raw stainless steel (V2A)

Article no.		Dimensions in mm			Package quantity in m/roll
Series	Execution	Material	Width	Thickness	
		Raw V2A			
1101	.C 13199	.30	4.8	0.38	30.5 m
1101	.C 13399	.30	9.6	0.38	30.5 m
1101	.C 13499	.30	12.7	0.38	30.5 m
1101	.C 13599	.30	15.9	0.38	30.5 m
1101	.C 13699	.30	19.1	0.38	30.5 m
1101	.C 19199	.30	9.6	0.51	30.5 m
1101	.C 18189	.30	12.7	0.51	30.5 m
1101	.C 17199	.30	15.9	0.51	30.5 m
1101	.C 16189	.30	19.1	0.51	30.5 m
1101	.C 19399	.30	9.6	0.51	61 m
1101	.C 18389	.30	12.7	0.51	61 m
1101	.C 17399	.30	15.9	0.51	61 m
1101	.C 16389	.30	19.1	0.51	61 m
1101	.C 14499	.30	12.7	0.64	30.5 m
1101	.C 14599	.30	15.9	0.64	30.5 m
1101	.C 14699	.30	19.1	0.64	30.5 m
1101	.C 14899	.30	12.7	0.64	61 m
1101	.C 14999	.30	15.9	0.64	61 m
1101	.C 15099	.30	19.1	0.64	61 m
1101	.C 92399	.30	9.6	0.63	30.5 m
1101	.C 92499	.30	12.7	0.76	30.5 m
1101	.C 92599	.30	15.9	0.76	30.5 m
1101	.C 92699	.30	19.1	0.76	30.5 m



#### Loose Lock-Clips „Series 1101“

„VALU-CLIPS“ for endless belts

Material and surface finish:

Raw stainless steel (1.4301)

Article no.		Dimensions in mm			Package quantity
Series	Execution	Material	Width	Thickness	
		Raw V2A			
1101	.C 15199	.30	4.8	0.8	100/St.
1101	.C 15399	.30	9.6	0.8	100/St.
1101	.C 15499	.30	12.7	0.8	100/St.
1101	.C 15599	.30	15.9	0.8	100/St.
1101	.C 15699	.30	19.1	0.8	100/St.
1101	.C 25299	.30	6.4	1.0	100/St.
1101	.L 15399	.30	9.6	1.0	100/St.
1101	.L 15499	.30	12.7	1.0	100/St.
1101	.L 15599	.30	15.9	1.0	100/St.
1101	.L 15699	.30	19.1	1.0	100/St.



## „BAND-IT“ Spannbänder und Kabelbinder

Endless belt „Series 1101“  
„VALUSTRAP“ for loose „VALU-CLIPS“

Material and surface finish:  
Raw stainless steel (V4A)



Article no.			Dimensions in mm		Package quantity in m/roll
Series	Execution	Material	Width	Thickness	
		Raw V4A			
1101	.C 40299	.35	6,4	0,51	30,5m
1101	.C 40399	.35	9,6	0,64	30,5m
1101	.C 403 Y 9	.35	9,6	0,64	30,5m with yellow bracket
1101	.C 40499	.35	12,7	0,76	30,5m
1101	.C 404 B 9	.35	12,7	0,76	30,5m with blue bracket
1101	.C 40599	.35	15,9	0,76	30,5m
1101	.C 405 G 9	.35	15,9	0,76	30,5m with green bracket
1101	.C 40699	.35	19,1	0,76	30,5m
1101	.C 406 R 9	.35	19,1	0,76	30,5m with red bracket
1101	.C 44499	.35	12,7	0,38	61m
1101	.C 444 B 9	.35	12,7	0,38	61m with blue bracket
1101	.C 44599	.35	15,9	0,38	61m
1101	.C 445 G 9	.35	15,9	0,38	61m with green bracket
1101	.C 44699	.35	19,1	0,38	61m
1101	.C 446 R 9	.35	19,1	0,38	61m with red bracket



Loose Lock-Clips „Series 1101“  
„VALU-CLIPS“ for endless belts

Material and surface finish:  
Raw stainless steel (V4A)

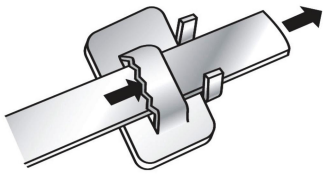
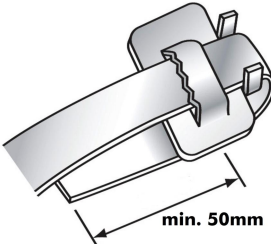
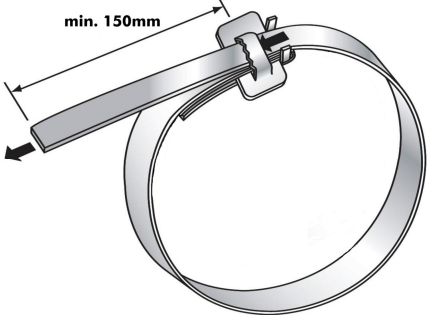
Article no.			Dimensions in mm		Package quantity
Series	Execution	Material	Width	Thickness	
		raw V4A			
1101	.AE4529	.35	6,4	1,0	100/St.
1101	.AE4539	.35	9,6	1,0	100/St.
1101	.AE4549	.35	12,7	1,0	100/St.
1101	.AE4559	.35	15,9	1,0	100/St.
1101	.AE4569	.35	19,1	1,0	100/St.








## „BAND-IT“

### Tension bands and Cable ties

Push the band through the catch	Bend it down	Push the band through the catch Single wrap
		

Clamping tools for „Series 1101“		
Art. no.: C 00189	Art. no.: C 00369	Art. no.: C 07569 „Bantam“
		
Art. no.: C 40099 „Ratchet“	Art. no.: C 08599 „Bantam-Ratchet“	Art. no.: J 02069 max. width bis 9.6 mm
		

How to use it		
Art. no.: C 07569 „Bantam“		
		
1. Pull the band through the catch 2. Insert in the tool	3. Tense it with the ratchet	4. Nod it in the opposite direction 5. Cut it off 6. Clamp it

## „BAND-IT“ Spannbänder und Kabelbinder

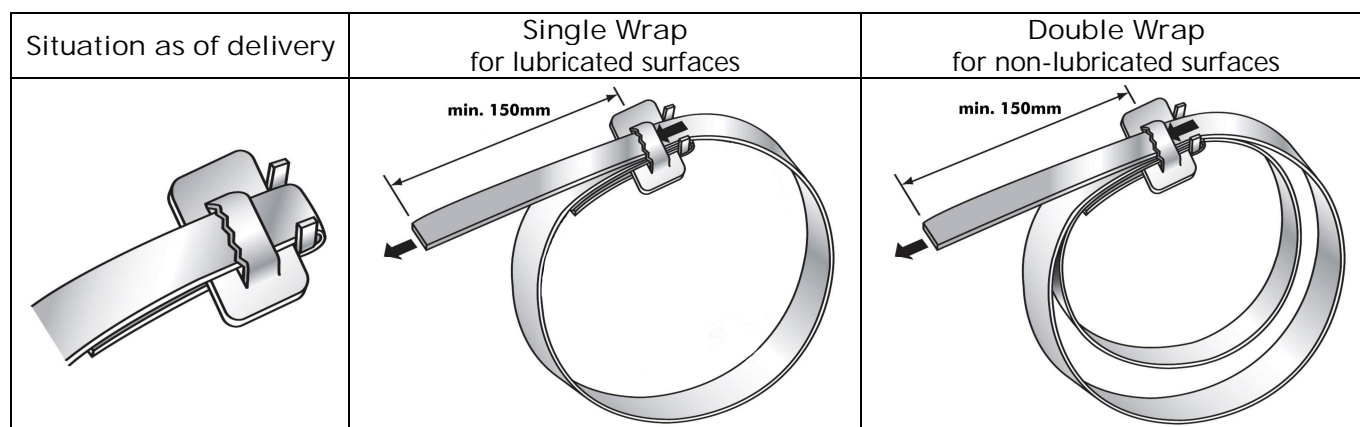
Tension band „Series 1102“  
„BAND-FAST“ pre-cut with  
assembled „EAR-LOK loop“

Material and surface finish:  
Raw stainless steel (V2A)



Article no.			Dimensions in mm					Package quantity
Series	Execution	Material	Width	Thickness	Length	Maximum Diameter		
		Raw				Single Wrap	Double Wrap	
		V2A						
1102	.A 0830-020	.30	12.7	0.76	510	102	51	25/St
1102	.A 0830-024	.30	12.7	0.76	610	127	64	25/St
1102	.A 0830-027	.30	12.7	0.76	690	152	76	25/St
1102	.A 0830-034	.30	12.7	0.76	860	203	102	25/St
1102	.A 0830-041	.30	12.7	0.76	1040	254	127	25/St
1102	.A 0830-048	.30	12.7	0.76	1220	305	152	25/St
1102	.A 0830-055	.30	12.7	0.76	1400	356	178	25/St
1102	.A 0830-069	.30	12.7	0.76	1750	457	229	25/St
1102	.A 0830-076	.30	12.7	0.76	1930	508	254	15/St
1102	.A 0830-090	.30	12.7	0.76	2290	610	305	15/St
1102	.A 1230-020	.30	19.1	0.76	510	102	51	25/St
1102	.A 1230-024	.30	19.1	0.76	610	127	64	25/St
1102	.A 1230-027	.30	19.1	0.76	690	152	76	25/St
1102	.A 1230-034	.30	19.1	0.76	860	203	102	25/St
1102	.A 1230-041	.30	19.1	0.76	1040	254	127	25/St
1102	.A 1230-048	.30	19.1	0.76	1220	305	152	25/St
1102	.A 1230-055	.30	19.1	0.76	1400	356	178	25/St
1102	.A 1230-069	.30	19.1	0.76	1750	457	229	25/St
1102	.A 1230-076	.30	19.1	0.76	1930	508	254	15/St
1102	.A 1230-090	.30	19.1	0.76	2290	610	305	15/St

By greater dimensions we recommend our endless belts with loose catches.



## „BAND-IT“

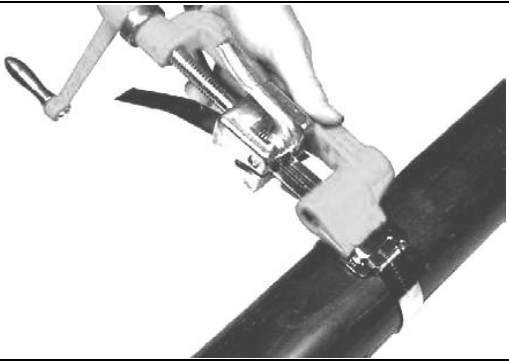
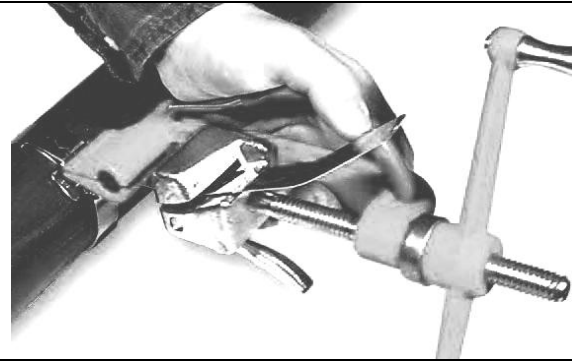


Tension bands and Cable ties

### Clamping tools for „Series 1102“

Art. no.: C 00189	Art. no.: C 00369
	
Art. no.: C 40099	Art. no.: C 08599 „Bantam-Ratchet“
	

### How to use it

Art. no.: C 00189

	
1. Pull the band through the catch 2. Insert in the tool	3. Tense it with the ratchet
	
3. Nod it in the opposite direction 4. Cut it off	5. Clamp it



## „BAND-IT“ Spannbänder und Kabelbinder

Endless belt „Series 1102“  
„BAND-IT Band“ for loose „EAR-LOK loop“

Material and surface finish:  
Raw stainless steel (V2A)



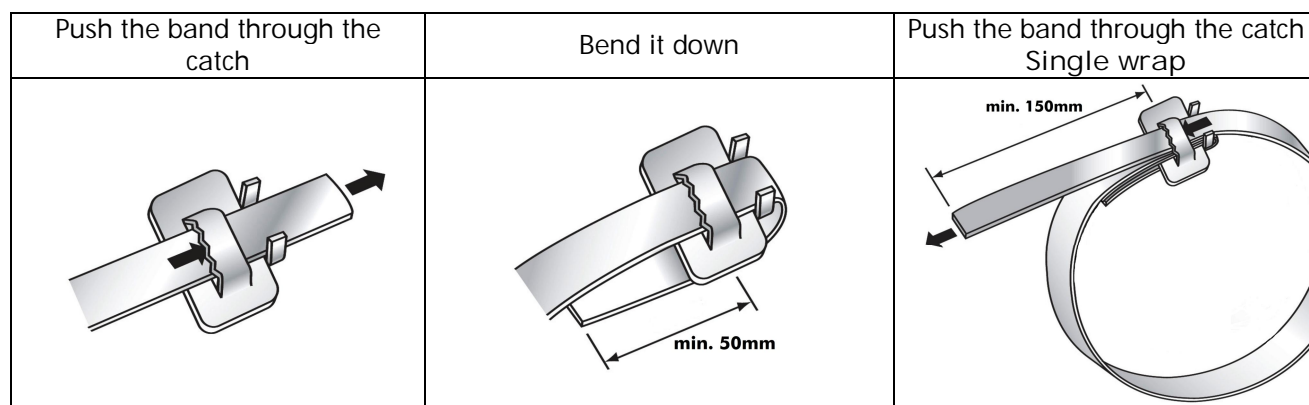
Article no.			Dimensions in mm		Package quantity in m/roll
Series	Execution	Material	Width	Thickness	
		Raw V2A			
1102	.C 20229	.30	6.4	0.51	30.5 m
1102	.C 20399	.30	9.6	0.64	30.5 m
1102	.C 203Y9	.30	9.6	0.64	30.5 m with yellow bracket
1102	.C 20499	.30	12.7	0.76	30.5 m
1102	.C 204B9	.30	12.7	0.76	30.5 m with blue bracket
1102	.C 20599	.30	15.9	0.76	30.5 m
1102	.C 205G9	.30	15.9	0.76	30.5 m with green bracket
1102	.C 20699	.30	19.1	0.76	30.5 m
1102	.C 206R9	.30	19.1	0.76	30.5 m with red bracket
1102	.G 43099	.30	19.1	1.1	30.5 m
1102	.G 43199	.30	25.4	1.1	30.5 m
1102	.G 43299	.30	31.8	1.1	30.5 m



Loose catching-loop „Series 1102“  
„EAR-LOK loop“ for endless belts

Material and surface finish:  
Raw stainless steel (V2A)

Article no.			Dimensions in mm		Package quantity
Series	Execution	Material	Width	Thickness	
		Raw V2A			
1102	.C 25299	.30	6.4	1.3	100/St.
1102	.C 25399	.30	9.6	1.3	100/St.
1102	.C 25499	.30	12.7	1.3	100/St.
1102	.C 25599	.30	15.9	1.3	100/St.
1102	.C 25699	.30	19.1	1.3	100/St.
1102	.G 44099	.30	19.1	2.3	25/St.
1102	.G 44199	.30	25.4	2.3	25/St.
1102	.G 44299	.30	31.8	2.3	25/St.



## „BAND-IT“

### Tension bands and Cable ties

#### Endless belt „Series 1102“

„BAND-IT Band“ for loose „EAR-LOK loop“

Material and surface finish:  
Raw stainless steel (V4A)



Article no.		Dimensions in mm			Package quantity in m/roll
Series	Execution	Material	Width	Thickness	
		Raw V4A			
1102	.C 40299	.35	6,4	0,51	30,5m
1102	.C 40399	.35	9,6	0,64	30,5m
1102	.C 403 Y 9	.35	9,6	0,64	30,5m with yellow bracket
1102	.C 40499	.35	12,7	0,76	30,5m
1102	.C 404 B 9	.35	12,7	0,76	30,5m with blue bracket
1102	.C 40599	.35	15,9	0,76	30,5m
1102	.C 405 G 9	.35	15,9	0,76	30,5m with green bracket
1102	.C 40699	.35	19,1	0,76	30,5m
1102	.C 406 R 9	.35	19,1	0,76	30,5m with red bracket
1102	.C 44499	.35	12,7	0,38	61m
1102	.C 444 B 9	.35	12,7	0,38	61m with blue bracket
1102	.C 44599	.35	15,9	0,38	61m
1102	.C 445 G 9	.35	15,9	0,38	61m with green bracket
1102	.C 44699	.35	19,1	0,38	61m
1102	.C 446 R 9	.35	19,1	0,38	61m with red bracket

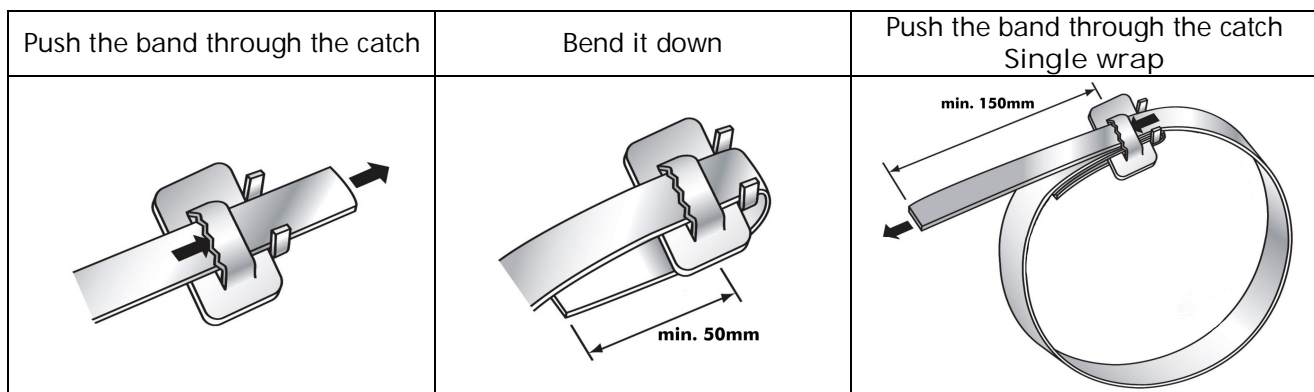


#### Loose catching-loop „Series 1102“

„EAR-LOK loop“ for endless belts

Material and surface finish:  
Raw stainless steel (V4A)

Article no..		Dimensions in mm			Package quantity
Series	Execution	Material	Width	Thickness	
		Raw V4A			
1102	.C 45299	.35	6,4	1,3	100/St.
1102	.C 45399	.35	9,6	1,3	100/St.
1102	.C 45499	.35	12,7	1,3	100/St.
1102	.C 45599	.35	15,9	1,3	100/St.
1102	.C 55699	.35	19,1	1,3	100/St.



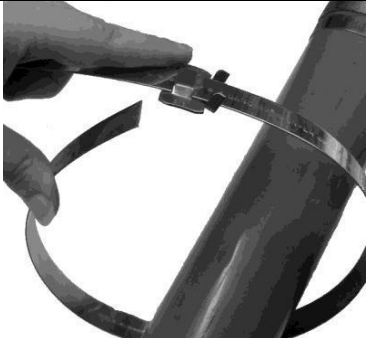



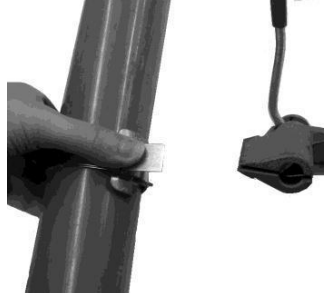

## „BAND-IT“

### Spannbänder und Kabelbinder

#### Clamping tools for „Series 1102“

Art. no.: C 00189 up to 19.1 mm width	Art. no.: C 00369 up to 19.1 mm width	Art. no.: C 40099 up to 19.1 mm width
		
Art. no.: C08599 „Bantam-Ratchet“ up to 19.1 mm width	Art. no.: G40299 from 19.1mm width	
		

#### How to use it Art. no.: C 00189

		
1. Pull the band through the catch	2. Nod it ca. 50 mm down	3. Insert it in the tool, turn it with a pivot lever
		
4. Nod it in the opposite direction and cut it	5. Hold it	6. Jam it

## „BAND-IT“

### Tension bands and Cable ties

Self-closing band „Series 1103“  
„BALL-LOK“ stainless steel cable ties  
cut according to length

Material and surface finish:  
Raw stainless steel (V2A)  
Raw Stainless steel (V4A)



Article no.				Dimensions in mm				Package quantity
Series	Execution	Material		Width	Thickness	Length	Max. diameter	
		Raw						
		V2A	V4A					
1103	.KE 1128	.30	-	4.6	0.25	201	50	100/St.
1103	.KE 1138	.30	-	4.6	0.25	259	69	100/St.
1103	.KE 1148	.30	-	4.6	0.25	360	102	100/St.
1103	.KE 1158	.30	-	4.6	0.25	520	152	100/St.
1103	.KE 1168	.30	-	4.6	0.25	679	203	100/St.
1103	.KE 1178	.30	-	4.6	0.25	838	254	100/St.
1103	.KE 1188	.30	-	4.6	0.25	1067	305	100/St.
1103	.KE 0128	-	.35	4.6	0.25	201	50	100/St.
1103	.KE 0138	-	.35	4.6	0.25	259	69	100/St.
1103	.KE 0148	-	.35	4.6	0.25	360	102	100/St.
1103	.KE 0158	-	.35	4.6	0.25	520	152	100/St.
1103	.KE 0168	-	.35	4.6	0.25	679	203	100/St.
1103	.KE 0178	-	.35	4.6	0.25	838	254	100/St.
1103	.KE 0188	-	.35	4.6	0.25	1067	305	100/St.
1103	.KE 1328	.30	-	7.9	0.25	201	50	100/St.
1103	.KE 1338	.30	-	7.9	0.25	259	69	100/St.
1103	.KE 1348	.30	-	7.9	0.25	360	102	100/St.
1103	.KE 1358	.30	-	7.9	0.25	520	152	100/St.
1103	.KE 1368	.30	-	7.9	0.25	679	203	100/St.
1103	.KE 1378	.30	-	7.9	0.25	838	254	100/St.
1103	.KE 1388	.30	-	7.9	0.25	1067	305	100/St.
1103	.KE 0328	-	.35	7.9	0.25	201	50	100/St.
1103	.KE 0338	-	.35	7.9	0.25	259	69	100/St.
1103	.KE 0348	-	.35	7.9	0.25	360	102	100/St.
1103	.KE 0358	-	.35	7.9	0.25	520	152	100/St.
1103	.KE 0368	-	.35	7.9	0.25	679	203	100/St.
1103	.KE 0378	-	.35	7.9	0.25	838	254	100/St.
1103	.KE 0388	-	.35	7.9	0.25	1067	305	100/St.

By greater dimensions we recommend our endless belts with loose catches.

Tension band „Series 1103“ may be used without a tool.



## „BAND-IT“ Spannbänder und Kabelbinder

Self closing band „Series 1103“  
„BALL-LOK“ stainless steel cable ties  
cut according to length, coated

Material and surface finish:  
Plastic coated stainless steel (V2A)



Article no.			Dimensions in mm				Package quantity
Series	Execution	Material	Width	Thickness	Length	Max. diameter	
		Coating V2A					
1103	.KE 0228	.37	4.6	0.25	201	50	100/St.
1103	.KE 0238	.37	4.6	0.25	259	69	100/St.
1103	.KE 0248	.37	4.6	0.25	360	102	100/St.
1103	.KE 0258	.37	4.6	0.25	520	152	100/St.
1103	.KE 0268	.37	4.6	0.25	679	203	100/St.
1103	.KE 0278	.37	4.6	0.25	838	254	100/St.
1103	.KE 0428	.37	7.9	0.25	201	50	100/St.
1103	.KE 0438	.37	7.9	0.25	259	69	100/St.
1103	.KE 0448	.37	7.9	0.25	360	102	100/St.
1103	.KE 0458	.37	7.9	0.25	520	152	100/St.
1103	.KE 0468	.37	7.9	0.25	679	203	100/St.
1103	.KE 0478	.37	7.9	0.25	838	254	100/St.

By greater dimensions we recommend our endless belts with loose catches.

Tension band „Series 1103“ may be used without a tool.

### Clamping tools for „Series 1103“

Art. no.: K 50289 Adjustable tensile strength, tenses and cuts automatically	Art. no.: KE 9229 Tension tool with pivot lever	Art. no.: AE 2009

## „BAND-IT“

### Tension bands and Cable ties

#### Endless belt „Series 1103“

for loose „BALL-LOK“ catches

Material and surface finish:

Raw stainless steel (V2A)

Raw Stainless steel (V4A)



Article no.			Dimensions in mm			Package quantity in m/roll
Series	Execution	Material		Width	Thickness	
		Raw				
		V2A	V4A			
1103	.CE 3569	.30	-	4.6	0.25	100m
1103	.CE 2569	-	.35	4.6	0.25	100m
1103	.CE 1569	.30	-	7.9	0.25	100m
1103	.CE 4569	-	.35	7.9	0.25	100m

#### Loose catch „Series 1103“

„BALL-LOK“ catch for endless belts

Material and surface finish:

Raw stainless steel (V2A)

Raw Stainless steel (V4A)



Article no.			Dimensions in mm		Package quantity
Series	Execution	Material		Width	
		Raw	V4A		
1103	.CB 2569	.35		4.6	100/St.
1103	.CB 1569	.35		7.9	100/St.

Tension band „Series 1103“ may be used without a tool.

## „BAND-IT“

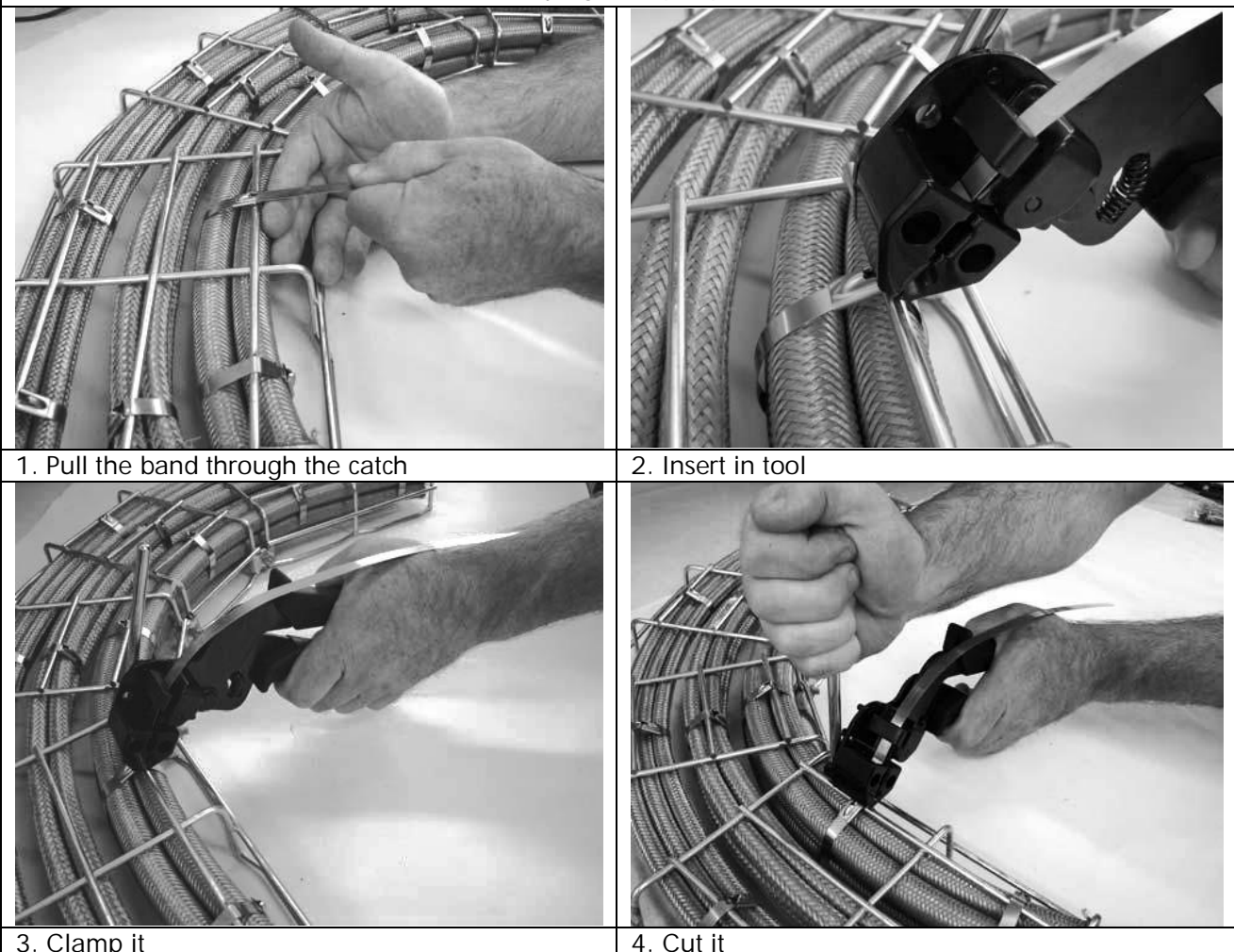
### Spannbänder und Kabelbinder

#### Clamping tools for „Series 1103“

Art. no.: C 00189 Adjustable tensile strength, tenses and cuts automatically	Art. no.: KE 9229 Tension tool with pivot lever	Art. no.: AE 2009
		

#### How to use it with trimming lever

Art. no.: KE 9229



1. Pull the band through the catch

2. Insert in tool

3. Clamp it

4. Cut it

## „BAND-IT“

### Tension bands and Cable ties

Tension band „Series 1104“  
„TIE-LOK“ stainless steel cable ties

Material and surface finish:  
Raw stainless steel (V2A)  
Raw Stainless steel (V4A)



Article no.				Dimensions in mm				Package quantity
Series	Execution	Material		Width	Thickness	Length	Max. diameter	
		Raw						
		V2A	V4A					
1104	.AS 2219	.30	-	4.5	0.38			100/St.
1104	.AS 2229	.30	-	4.5	0.38			100/St.
1104	.AS 2239	.30	-	4.5	0.38			100/St.
1104	.AS 2249	.30	-	4.5	0.38			100/St.
1104	.AS 2259	.30	-	4.5	0.38			100/St.
1104	.AS 4219	-	35	4.5	0.38			100/St.
1104	.AS 4229	-	35	4.5	0.38			100/St.
1104	.AS 4239	-	35	4.5	0.38			100/St.
1104	.AS 4249	-	35	4.5	0.38			100/St.
1104	.AS 4259	-	35	4.5	0.38			100/St.
1104	.AS 2119	.30	-	6.4	0.38			100/St.
1104	.AS 2129	.30	-	6.4	0.38			100/St.
1104	.AS 2139	.30	-	6.4	0.38			100/St.
1104	.AS 2149	.30	-	6.4	0.38			100/St.
1104	.AS 2159	.30	-	6.4	0.38			100/St.
1104	.AS 4119	-	35	6.4	0.38			100/St.
1104	.AS 4129	-	35	6.4	0.38			100/St.
1104	.AS 4139	-	35	6.4	0.38			100/St.
1104	.AS 4149	-	35	6.4	0.38			100/St.
1104	.AS 4159	-	35	6.4	0.38			100/St.
1104	.AS 6219	.30	-	9.6	0.51			100/St.
1104	.AS 6229	.30	-	9.6	0.51			100/St.
1104	.AS 6239	.30	-	9.6	0.51			100/St.
1104	.AS 6249	.30	-	9.6	0.51			100/St.
1104	.AS 6259	.30	-	9.6	0.51			100/St.



## „BAND-IT“


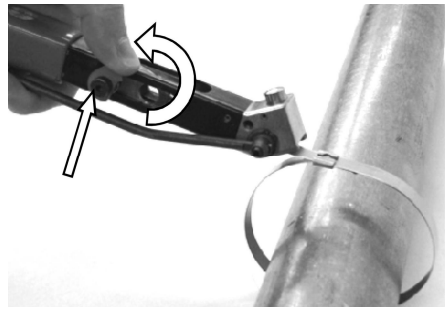
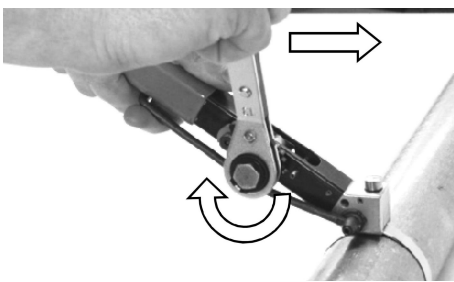

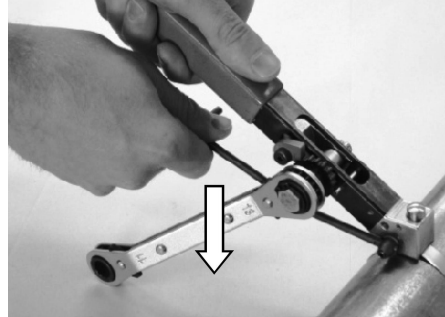
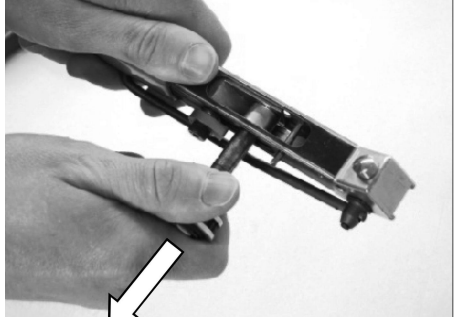
### Spannbänder und Kabelbinder

#### Clamping tools for „Series 1104“

<p>Art. no.: TL 3800 for 9.6 mm width</p>	<p>Art. no.: A 92079 for 6.4 mm width Adjustable tensile strength, tenses and cuts automatically</p>	<p>Art. no.: A 91079 Mini for 4.5 mm width Adjustable tensile strength, tenses and cuts automatically</p>
		

#### How to use it

Art. no.: TL3800

		
<p>1. Pull the band at least 75 mm through the catch</p>	<p>2. Insert in the tool</p>	<p>3. Clamp it with a pivot lever</p>
		
<p>4. Jam the band with a hammer</p>	<p>5. Cut it</p>	<p>6. Take the rest off</p>

## „BAND-IT“

### Tension bands and Cable ties

#### Endless belt „Series 1105“

„BAND-IT Band“ for loose „SCRU-LOKT loop“

Material and surface finish:  
Raw Stainless steel (V4A)

Article no.		Dimensions in mm			Package quantity in m/roll
Series	Execution	Material	Width	Thickness	
		Raw V4A			
1105	.C 40299	.35	6.4	0.51	30.5 m
1105	.C 40399	.35	9.6	0.64	30.5 m
1105	.C 403 Y 9	.35	9.6	0.64	30.5 m with yellow bracket
1105	.C 40499	.35	12.7	0.76	30.5 m
1105	.C 404 B 9	.35	12.7	0.76	30.5 m with blue bracket
1105	.C 40599	.35	15.9	0.76	30.5 m
1105	.C 405 G 9	.35	15.9	0.76	30.5 m with green bracket
1105	.C 40699	.35	19.1	0.76	30.5 m
1105	.C 406 R 9	.35	19.1	0.76	30.5 m with red bracket
1105	.C 44499	.35	12.7	0.38	61 m
1105	.C 444 B 9	.35	12.7	0.38	61 m with blue bracket
1105	.C 44599	.35	15.9	0.38	61 m
1105	.C 445 G 9	.35	15.9	0.38	61 m with green bracket
1105	.C 44699	.35	19.1	0.38	61 m
1105	.C 446 R 9	.35	19.1	0.38	61 m with red bracket

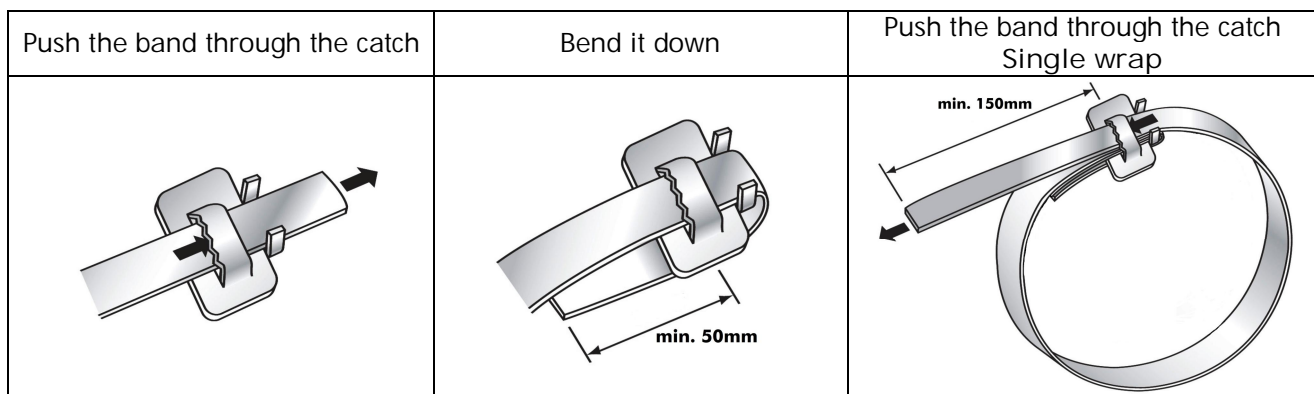


#### Loose catches „Series 1105“

„SCRU-LOKT loop“ for endless belts

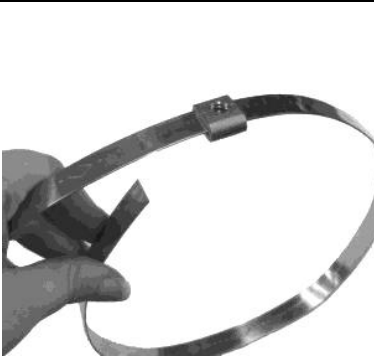


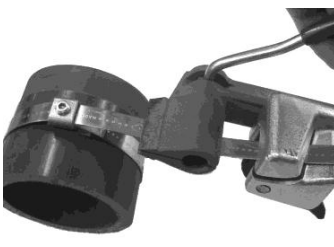

Material and surface finish:  
Raw stainless steel (V2A)

Article no.		Dimensions in mm		Package quantity
Series	Execution	Material	Width	
		Raw V2A		
1105	.C 72099	.30	6.4	50/St.
1105	.C 72299	.30	9.6	50/St.
1105	.C 72499	.30	12.7	25/St.
1105	.C 72599	.30	15.9	25/St.
1105	.C 72699	.30	19.1	25/St.



## „BAND-IT“ Spannbänder und Kabelbinder

Clamping tools for „Series 1105“	
Art. no.: C 00189	Art. no.: C 00369
	
Art. no.: C 40099	Art. no.: C 08599 „Bantam-Ratchet“
	

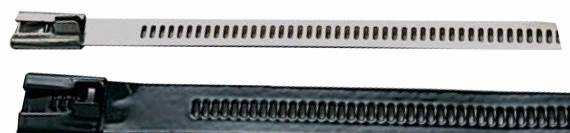
How to use it Art. no.: C 00189		
		
1. Pull the band through the catch	2. Nod it ca.50mm down	3. Insert it in the tool, turn it with a pivot lever
		
4. Cut it off	5. Clamp it	

## „BAND-IT“

### Tension bands and Cable ties

Self-closing band „Series 1106“  
„MULTI-LOK“ stainless steel cable ties

Material and surface finish:  
Raw Stainless steel (V4A)  
Coated stainless steel (V4A)



Article no.				Dimensions in mm				Package quantity
Series	Execution	Material		Width	Thickness	Length	Max. diameter	
		Raw V4A	Coating V4A					
1106	.AE 6019	.35	-	6.9	0.28	150	33	100/St.
1106	.AE 6029	.35	-	6.9	0.28	225	57	100/St.
1106	.AE 6039	.35	-	6.9	0.28	300	81	100/St.
1106	.AE 6049	.35	-	6.9	0.28	450	129	100/St.
1106	.AE 6059	.35	-	6.9	0.28	610	180	100/St.
1106	.AE 7019	.35	-	11.9	0.46	150	33	100/St.
1106	.AE 7029	.35	-	11.9	0.46	225	57	100/St.
1106	.AE 7039	.35	-	11.9	0.46	300	81	100/St.
1106	.AE 7049	.35	-	11.9	0.46	450	129	100/St.
1106	.AE 7059	.35	-	11.9	0.46	610	180	100/St.
1106	.AE 6119	-	.37	6.9	0.28	150	33	100/St.
1106	.AE 6129	-	.37	6.9	0.28	225	57	100/St.
1106	.AE 6139	-	.37	6.9	0.28	300	81	100/St.
1106	.AE 6149	-	.37	6.9	0.28	450	129	100/St.
1106	.AE 6159	-	.37	6.9	0.28	610	180	100/St.
1106	.AE 7119	-	.37	11.9	0.46	150	33	100/St.
1106	.AE 7129	-	.37	11.9	0.46	225	57	100/St.
1106	.AE 7139	-	.37	11.9	0.46	300	81	100/St.
1106	.AE 7149	-	.37	11.9	0.46	450	129	100/St.
1106	.AE 7159	-	.37	11.9	0.46	610	180	100/St.

Tension band „Series 1106“ may be used without a tool.

Clamping tools for „Series 1106“		
Art. no.: M 50389 Adjustable tensile strength, tenses and cuts automatically	Art. no.: AE 2009	Art. no.: AE 2018