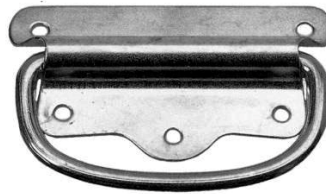




Drop handles



Art.:1054



Art.:1055



Art.:3101



Art.:2130



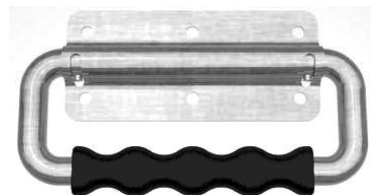
Art.:2134



Art.:2135



Art.:3102



Art.:100.H1079



Art.:3512



Art.:100.H1030



Art.:100.HE2457



Drop handles



Art.:6440



Art.:6442



Art.:6444



Art.:6451



Art.:6457.03



Art.:6457.04



Art.:6407



Art.:6460.01



Art.:6460.06



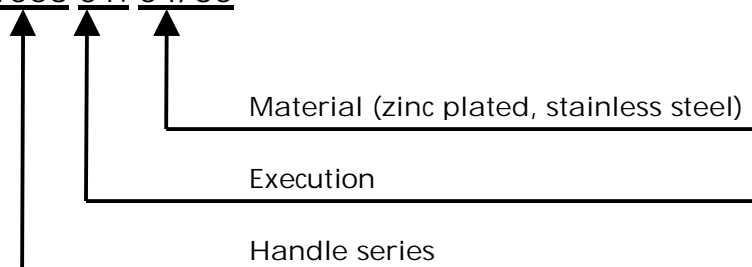
Drop handles

Materials and surface finishes:

.00	Raw steel
.01	Nickel-plated
.02	Brassed
.03	Chromated
.04	Zinc plated steel
.05	Bronzed
.06	Black zinc plated
.07	Brunished
.08	Yellow chromated
.09	EPD (Electrophoretic deposition)
.10	Anodized silver-coloured
.20	Raw brass
.22	Polished brass
.23	Chromated brass
.30	Raw stainless steel (1.4301)
.33	Polished stainless steel
.35	Raw stainless steel (1.4401)
.50	Raw Zamak (zinc aluminium magnesium copper)
.70	Raw aluminium
.80	Raw polyamide

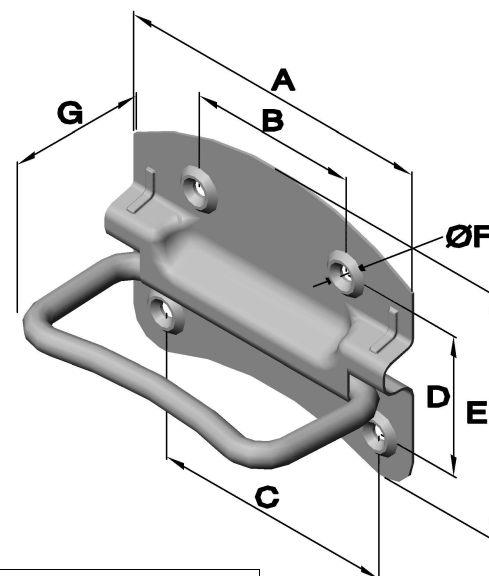
Ordering example:

Art.No. 1053 01. 04/30



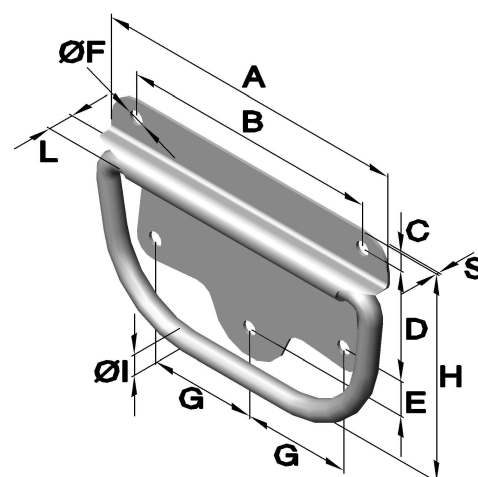
Drop handles

Art. no.: 1054 (drilled and countersunk)



Article no.		Dimensions in mm									
Series	Execution	Material			A	B	C	D	E	Ø F	G
		Brassed	Zinc plated	Blued							
		Steel	Steel	Steel							
1054	.09	.02	.04	.07	90	42	72	40	67	4.2	40
1054	.11	.02	.04	.07	110	57	84	48	84	4.5	55

Art. no.: 1055 (drilled)

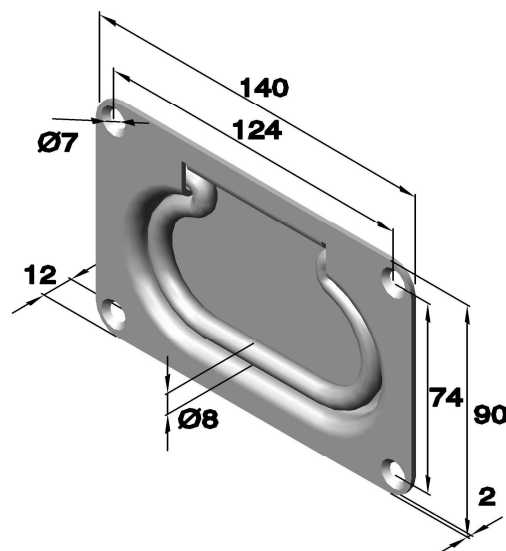


Article no.		Dimensions in mm													
Series	Execution	Material			A	B	C	D	E	Ø F	G	H	Ø I	L	S
		Brassed	Zinc plated	Blued											
		Steel	Steel	Steel											
1055	.08	.02	.04	.07	80	66	7	24	7	4	27	56	6	9	1
1055	.09	.02	.04	.07	90	75	6	31	8	4.4	30	61	6.5	9	1
1055	.10	.02	.04	.07	100	80	7	30	10	4.4	32.5	62.5	6.5	9	1
1055	.11	.02	.04	.07	110	90	6	38	12	5	37.5	66.5	7	9	1

Drop handles

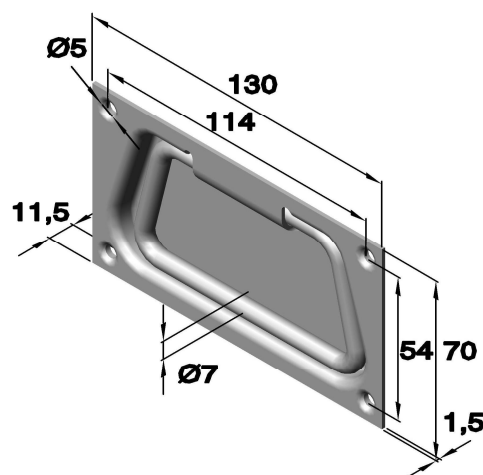
Art. no.: 2130 (drilled and countersunk)

Article no.	
Series	Material
	Zinc plated
2130	Steel
	.04



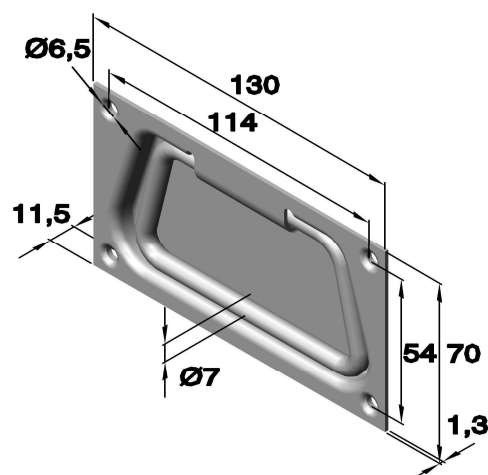
Art. no.: 2134 (drilled and countersunk)

Article no.	
Series	Material
	Zinc plated
2134	Steel
	.04



Art. no.: 2134 (drilled and countersunk)

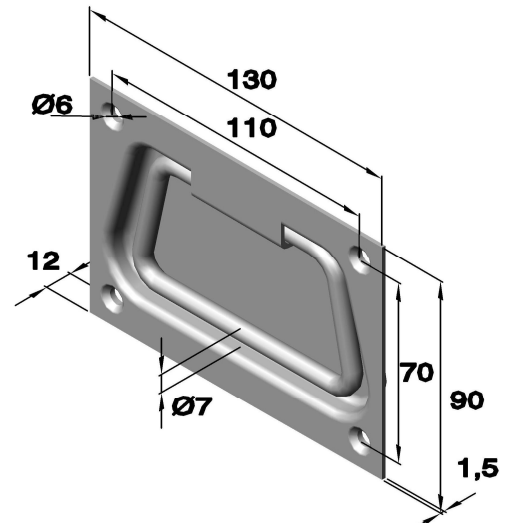
Article no.	
Series	Material
	Raw
2134	Stainless steel
	.30



Drop handles

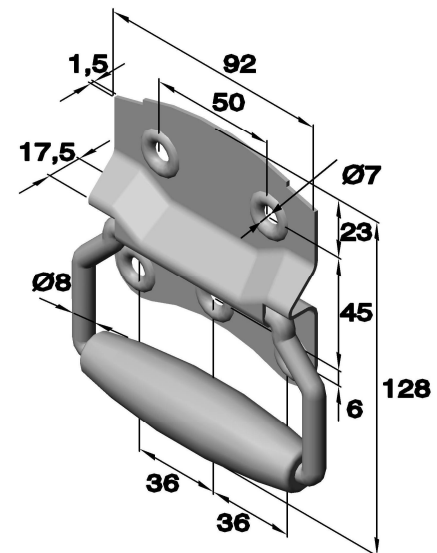
Art. no.: 2135 (drilled and countersunk)

Article no.	
Series	Material
	Zinc plated
2135	Steel
	.04



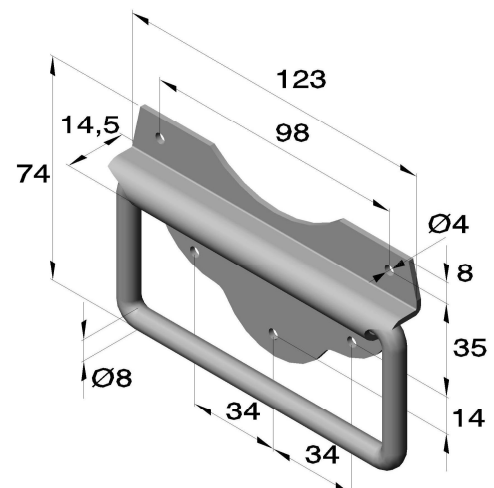
Art. no.: 3101 (drilled and countersunk)

Article no.			
Series	Material		
	Zinc plated	Black blued	Yellow chromated
	Steel	Steel	Steel
3101	.04	.07	.08



Art. no.: 3102 (drilled)

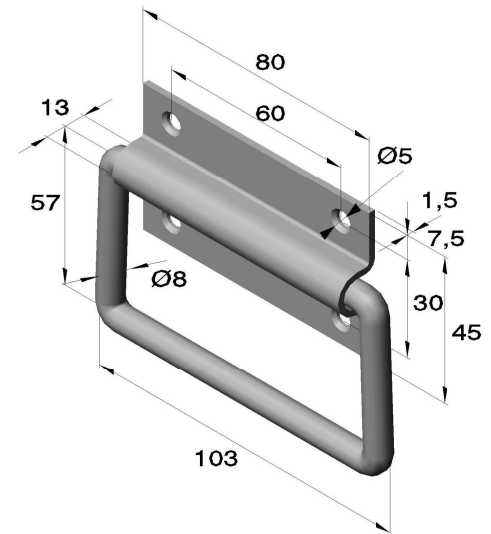
Article no.	
Series	Material
	Zinc plated
3102	Steel
	.04



Drop handles

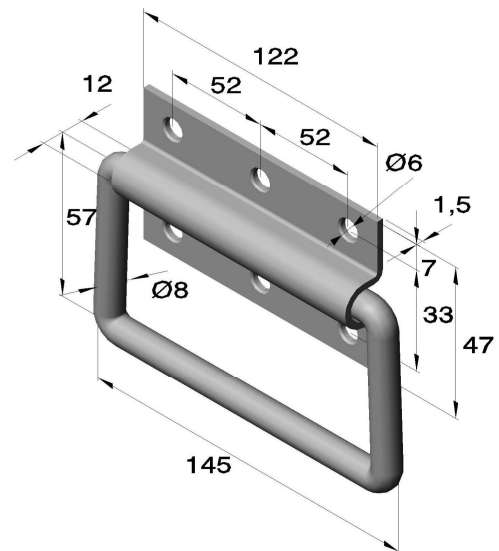
Art. no.: 3119 (drilled and countersunk)

Article no.	
Series	Material
	Zinc plated
3119	Steel
	.04



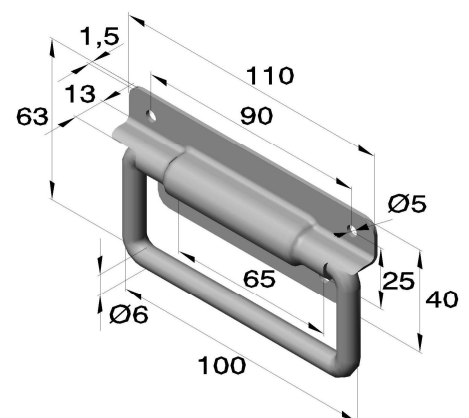
Art. no.: 3122 (drilled and countersunk)

Article no.	
Series	Material
	Zinc plated
3122	Steel
	.04



Art. no.: 3510 (drilled)

Article no.	
Series	Material
	Zinc plated
3510	Steel
	.04

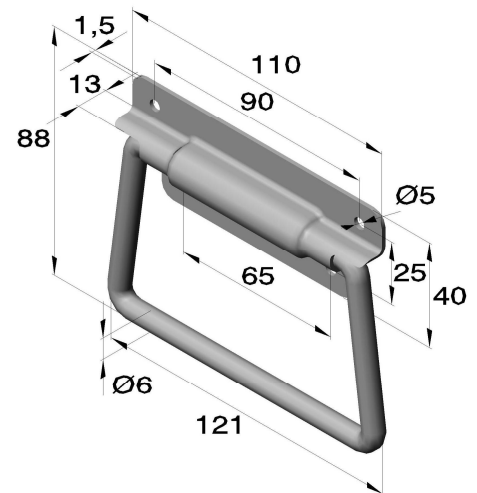


Drop handles

Art. no.: 3511 (drilled)

Different drop handles
available on request

Article no.	
Series	Material
	Zinc plated
	Steel
3511	.04

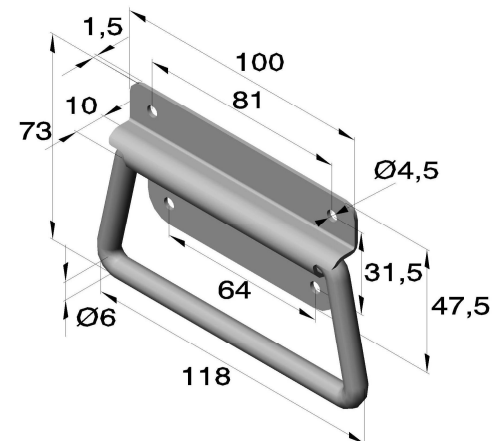


art. no.: 3512 (drilled)

Different drop handles
available on request

Maximum load: ca.25 kg

Article no.		
Series	Material	
	Zinc plated	Raw
	Steel	Stainless steel
3512	.04	.30

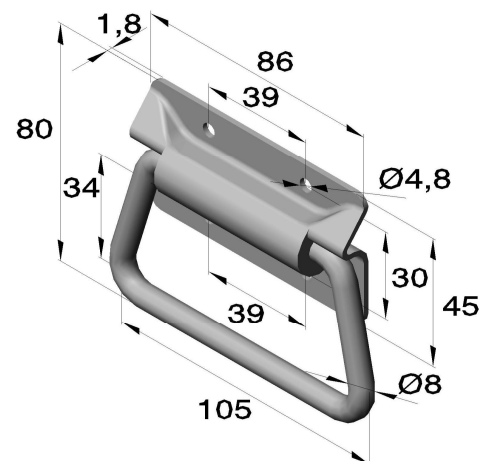


Art. no.: 6407 (drilled)

Maximum load: max. 90 kg

Opening angle: up to 90°

Article no.	
Series	Material
	Zinc plated
	Steel
6407	.04

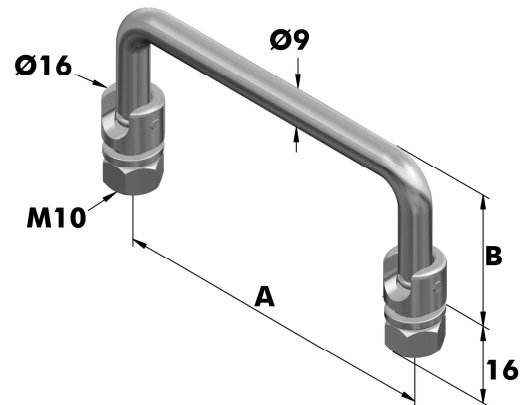


Drop handles

Art.no.: 6425

Opening stop by 90° precise positioning.

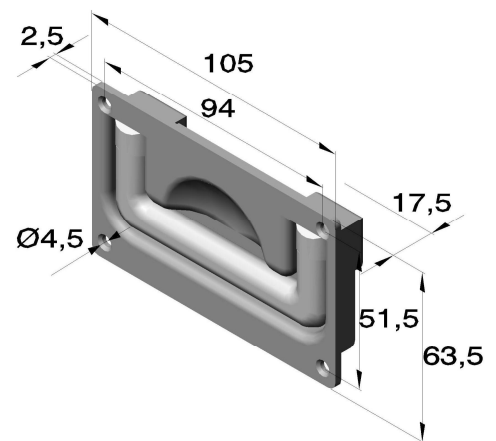
Article no.			Dimensions in mm	
Series	Material		A	B
	Execution	Chrome plated Steel		
6425	.01	.03	100	41,5
6425	.02	.03	135	41,5



Art. no.: 6440 (drilled and countersunk)
delivered in parts

Maximum load: max. 100 kg /pair
Opening angle: up to 90°
Installation opening: 97,5 x 47,5

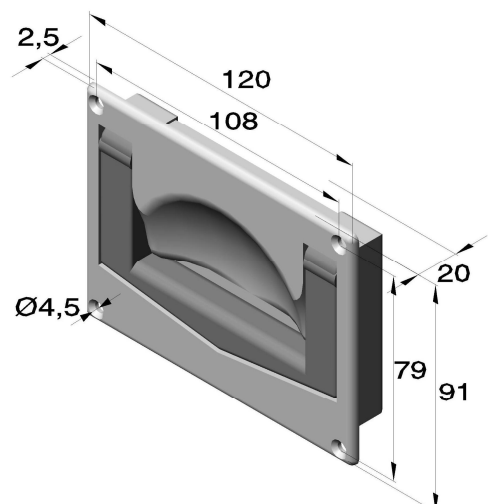
Article no.	
Series	Material
	Raw
	Aluminium
6440	.70



Art. no.: 6442 (drilled and countersunk)
delivered in parts

Maximum load: max. 100 kg /pair
Opening angle: up to 90°
Installation opening: 110 x 70

Article no.	
Series	Material
	Raw
	Aluminium
6442	.70

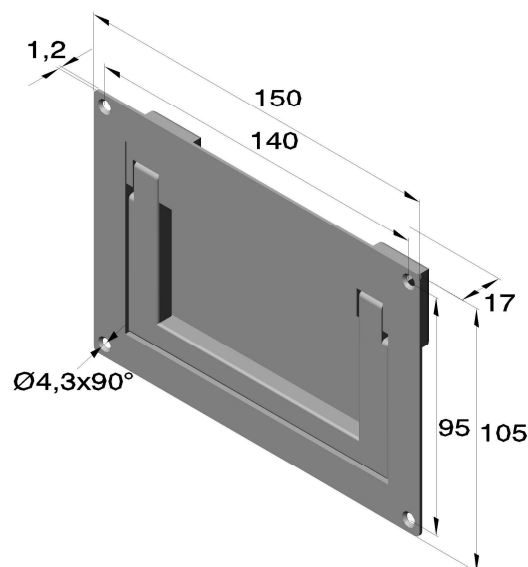


Drop handles

Art. no.: **6444** (drilled and countersunk)
delivered in parts

Maximum load: max. 100 kg /pair
Opening angle: up to 90°
Installation opening: 127 x 83

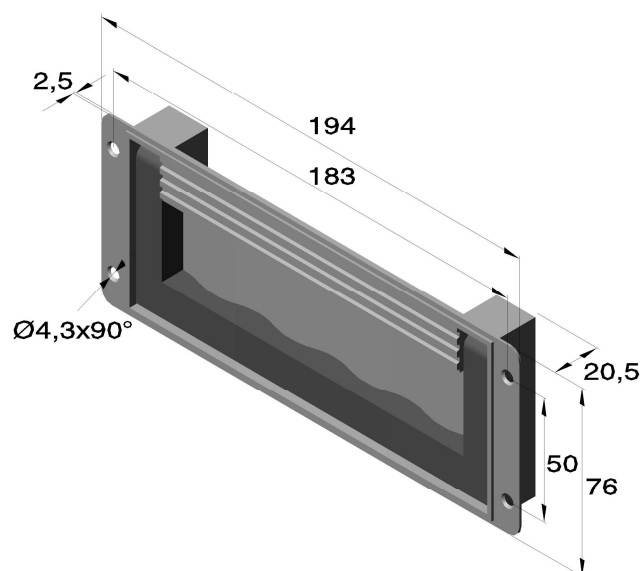
Article no.		
Series	Execution	Material
		Zinc plated
6444	.34	Steel



Art. no.: **6451** (drilled and countersunk)

Maximum load: max. 100 kg /pair
Opening angle: up to 90°
Installation opening: 171 x 73

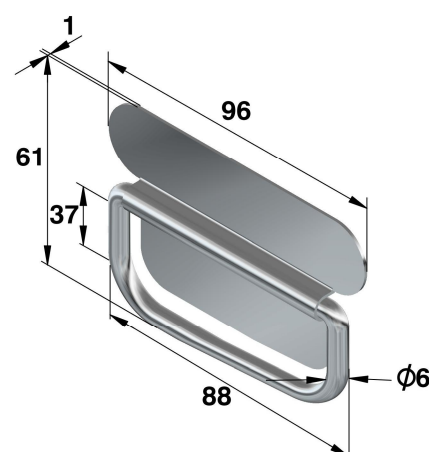
Article no.	
Series	Material
	lacquered Silver
	Zamak
6451	.50



Art. no.: **6457** (drilled)

Maximum load: max. 25 kg
Opening angle: up to 80°

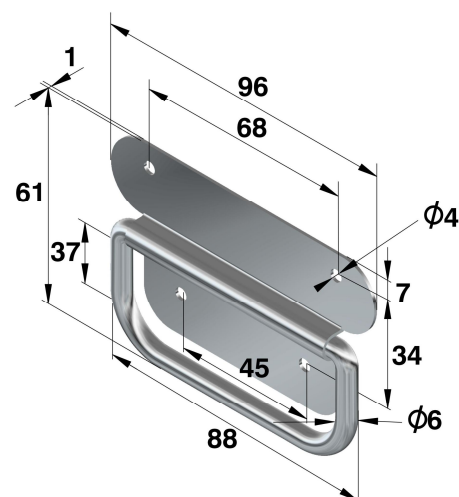
Article no.		
Series	Execution	Material
		Raw
		Steel
6457	.01	.00



Drop handles

Art. no.: 6457 (drilled)

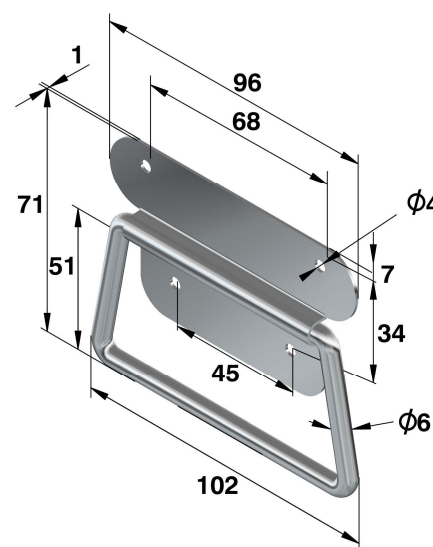
Maximum load: max. 25 kg
Opening angle: up to 80°



Article no.		
Series	Execution	Material
		Zinc plated
6457	.02	Steel
		.04

Art. no.: 6457 (drilled)

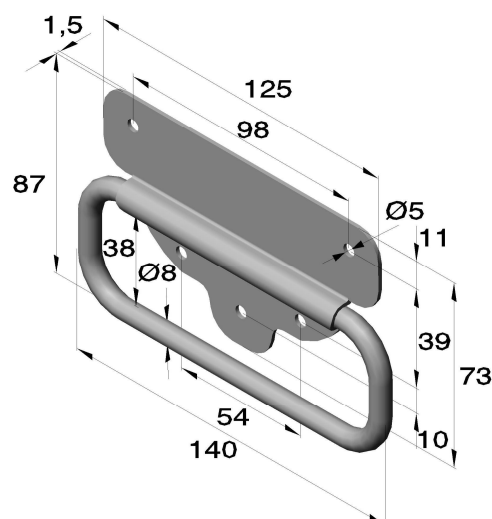
Maximum load: max. 25 kg
Opening angle: up to 80°



Article no.		
Series	Execution	Material
		Zinc plated
6457	.03	Steel
		.04

Art. no.: 6457 (drilled)

Maximum load: max. 60 kg
Opening angle: up to 80°

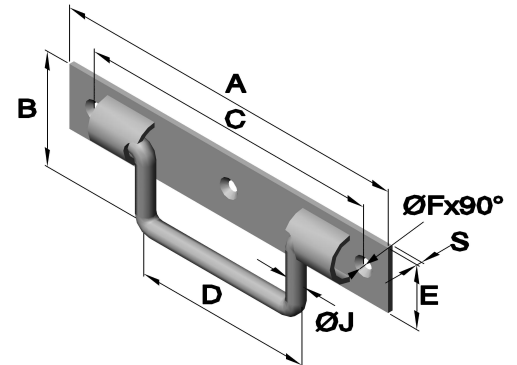


Article no.			
Series	Execution	Material	
		Raw	Zinc plated
6457	.04	Steel	Steel
		.00	.04

Drop handles

Art. no.: 6460 (drilled and countersunk)

Opening angle: up to 90°

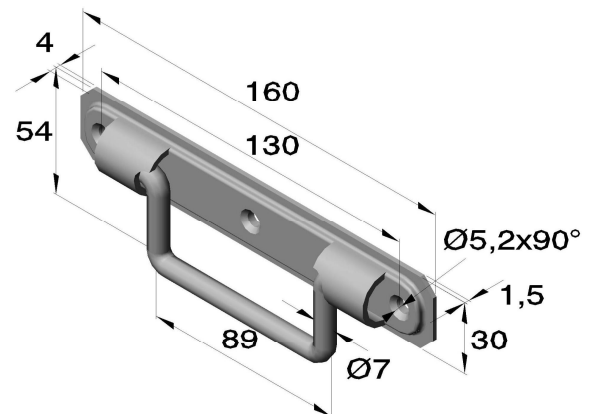


Article no.			Dimensions in mm								
Series	Execution	Material	A	B	C	D	E	ØF	ØJ	S	max. load
		Zinc plated									
		Steel									
6460	.04	.04	142	44,5	120	74	25	5,2	7	2	45kg
6460	.05	.04	160	49,6	138	93,5	25	5,2	8	2	45kg
6460	.07	.04	187	49,6	162	109	25	5,2	8	2	45kg

Art. no.: 6460 (drilled and countersunk)

Maximum load: max. 35 kg

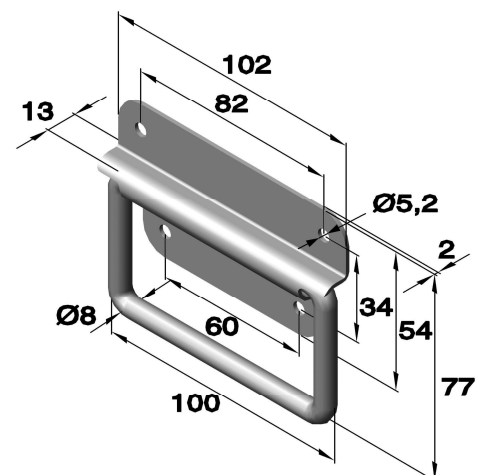
Opening angle: up to 90°



Article no.		
Series	Execution	Material
		Raw
		Stainless steel
6460	.06	.30

Art. no.: 100.H1030 (drilled)

Opening angle: up to 90°



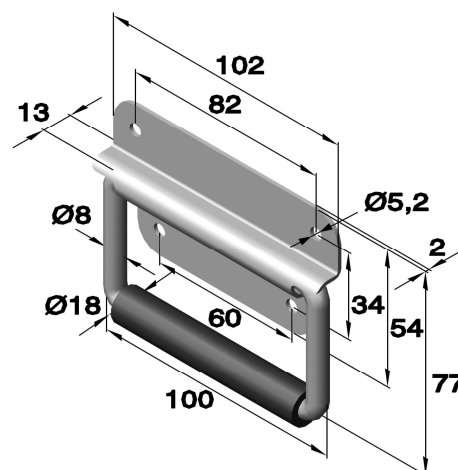
Article no.		
Series	Material	
	Zinc plated	
		Steel
100.H1030	.04	

Drop handles

Art. no.: 100.H1030R (drilled)

Opening angle: up to 90°

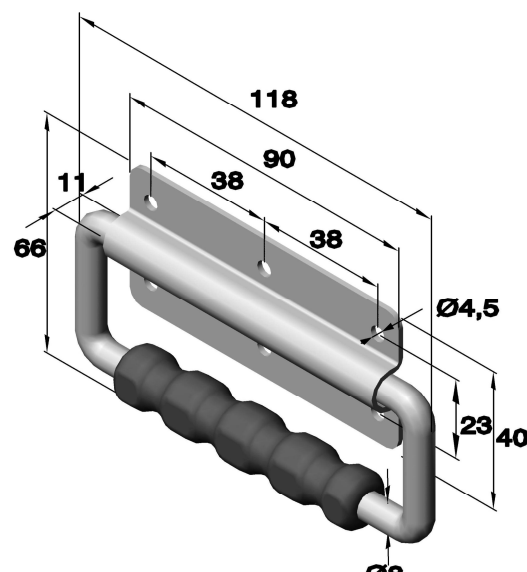
Article no.	
Series	Material
	Zinc plated
100.H1030R	Steel
	.04



Art. no.: 100.H1079 (drilled)

Opening angle: up to 90°

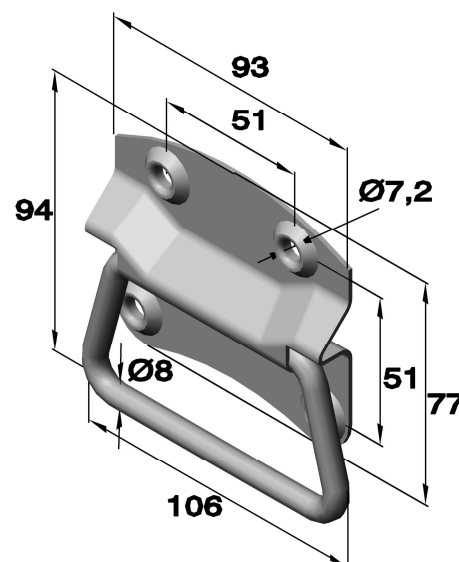
Article no.	
Series	Material
	Raw
100.H1079	Aluminium



Art. no.: 100.HE-2457 (drilled)

Opening angle: up to 90°

Article no.	
Series	Material
	Zinc plated
100.HE-2457	Steel
	.04



Drop handles



www.tuv.com
ID 9108624624

Phone:
Fax:
Email:
Homepage:

+49 (0) 231 / 725 790 -0
+49 (0) 231 / 725 790 -10
info@hokon-verschluss technik.de
www.hokon-verschluss technik.de