



Box handles with return spring



Art.:3103



Art.:6401



Art.:6402



Art.:6403.04



Art.:6403.05



Art.:6405



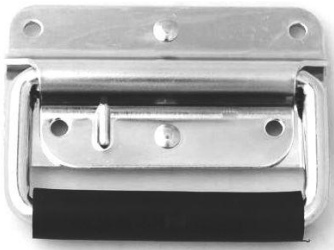
Art.:6415



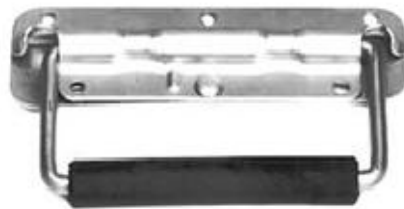
Art.:6419



Box handles with return spring



Art.:100.H1033Z



Art.:100.H10527



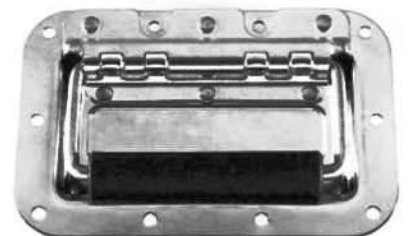
Art.:100.H1078



Art.:100.HE-2341AL



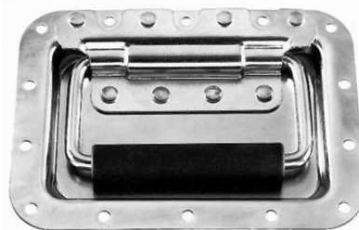
Art.:100.H8154



Art.:100.H1054



Art.:100.H2751



Art.:100.H1065

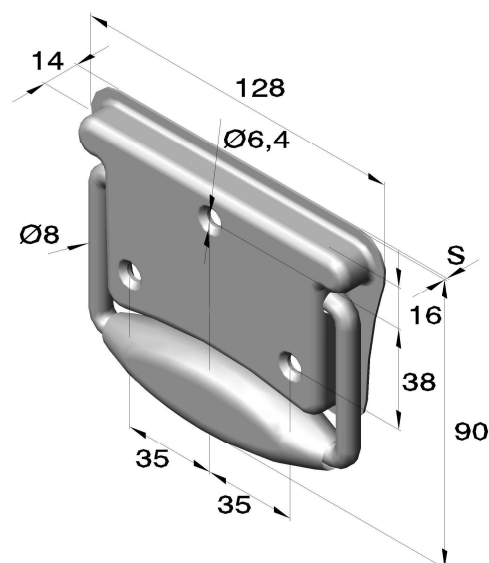


Art.:100.H7148

Box handles with return springs

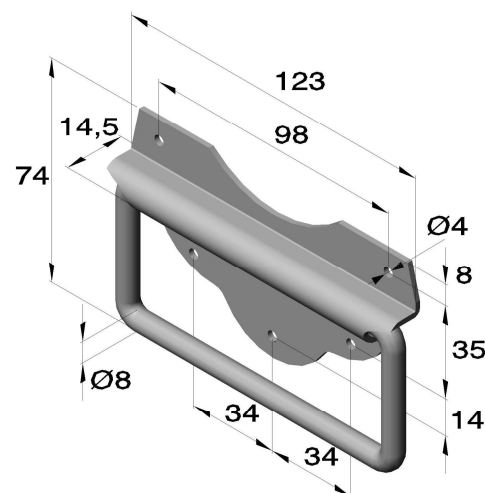
Art. no.: 3103 (drilled and countersunk)
with return spring

Article no.	
Series	Material
	Zinc plated
3103	Steel
	.04



Art. no.: 3112 (drilled)
with return spring

Article no.	
Series	Material
	Zinc plated
3112	Steel
	.04



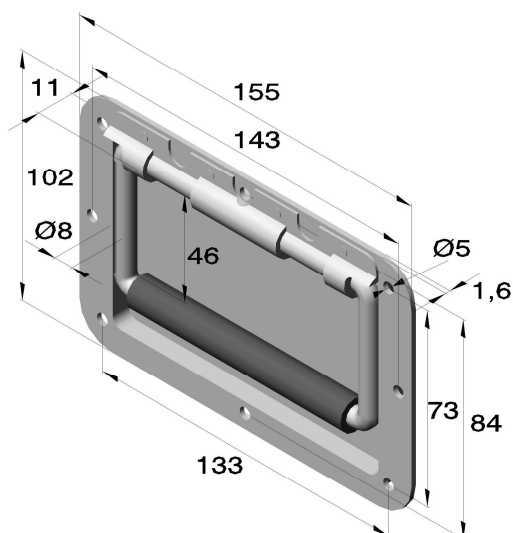
Art. no.: 6401 (drilled)
with return spring

Maximum load: ca. 57 kg

Opening angle: up to 90°

Installation opening: 79 x 132

Article no.	
Series	Material
	Zinc plated
6401	Steel
	.04



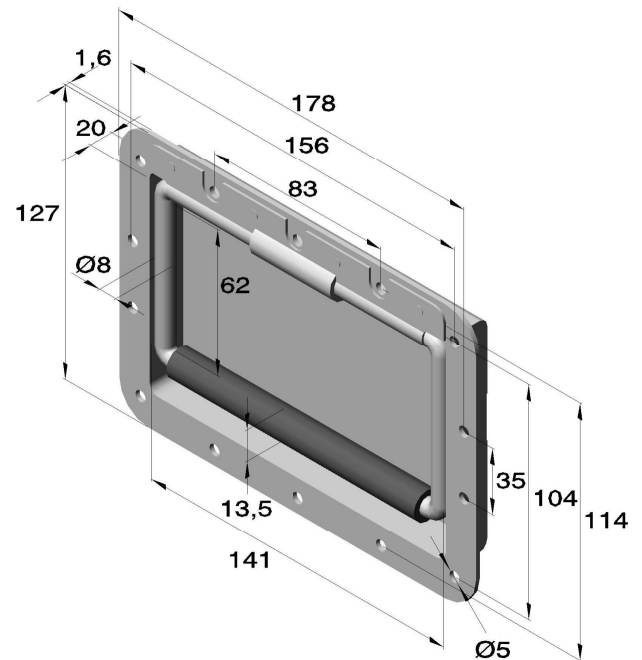
Box handles with return spring

Art. no.: 6402 (drilled)
with return spring

Maximum load: ca. 67 kg

Opening angle: up to 90°

Installation opening: 99 x 146

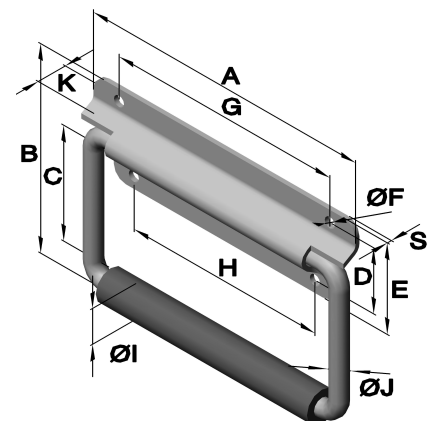


Article no.		Material	
Series		Zinc plated	Epoxy Black coated
		Steel	Steel
6402		.04	.07

Art. no.: 6403 (drilled)
with return spring

Maximum load: ca. 45 kg

Opening angle: up to 90°



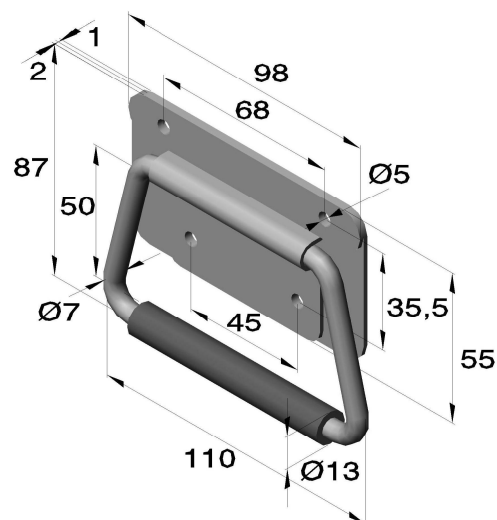
Article no.				Dimensions in mm											
Series	Execution	Material		A	B	C	D	E	ØF	G	H	ØI	ØJ	K	S
		Zinc plated Steel	Raw Stainless steel												
6403	.05	.04	.30	130,3	104,1	60,4	28,6	41,9	5	104,8	88,9	15	7,8	12,7	2
6403	.06	.04	.30	130,3	82,6	38,1	28,6	39,6	5	104,8	88,9	15	7,8	12,7	2

Box handles with return springs

Art. no.: 6405 (drilled)
with return spring

Maximum load: ca. 25 kg

Opening angle: up to 70°



Article no.		
Series	Execution	Material
		Steel
6405	.08	Yellow chromated

Art. no.: 6415 (drilled)
with return spring
and neoprene sheathing

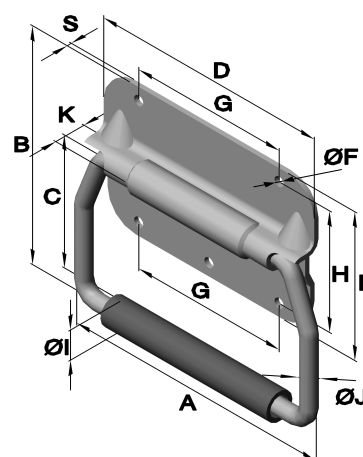
Maximum load:

Art. no.: 6415.01.30: ca. 54 kg

Art. no.: 6415.02.04: ca. 68 kg

Art. no.: 6415.03.04: ca. 68 kg

Opening angle: up to 90°



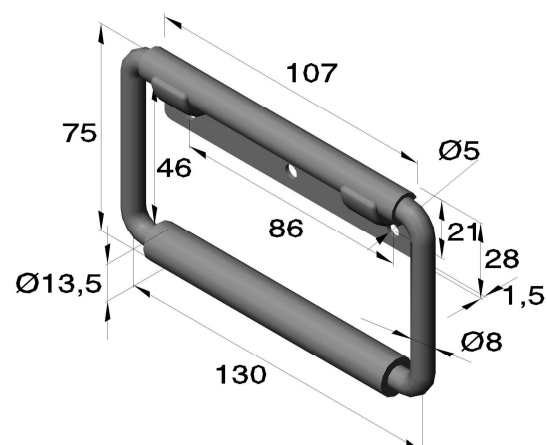
Article no.				Dimensions in mm											
Series	Execution	Material		A	B	C	D	E	ØF	G	H	ØI	ØJ	K	S
		Zinc plated	Raw												
		Steel	Stainless steel												
6415	.01	-	.30	130	112,7	50,8	120,6	69,8	5	76,2	57,1	14,2	7,8	16,8	2,3
6415	.02	.04	-	130	101,6	50,8	124	50,8	5	66,6	38,1	14,2	7,8	17,5	2,3
6415	.03	.04	-	130	104,1	50,8	124	50,8	5	66,6	38,1	19	7,8	17,5	2,3

Box handles with return spring

Art. no.: 6419 (drilled)
with return spring

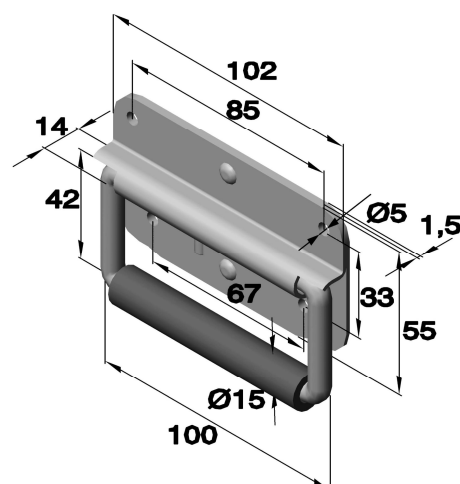
Maximum load: ca. 34 kg

Opening angle: up to 180°



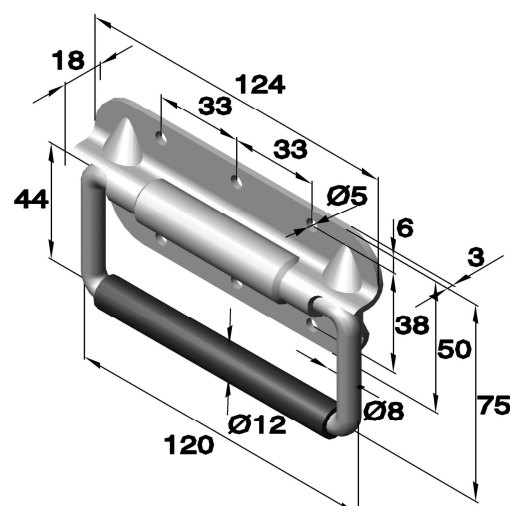
Article no.			
Series	Execution	Material	
		Blued	Passivated
6419	.01	Steel	Stainless steel
		.07	.30

Art. no.: 100.H1033Z (drilled)
with return spring
and rubber hose



Article no.	
Series	Material
100.H1033Z	Zinc plated
	Steel
	.04

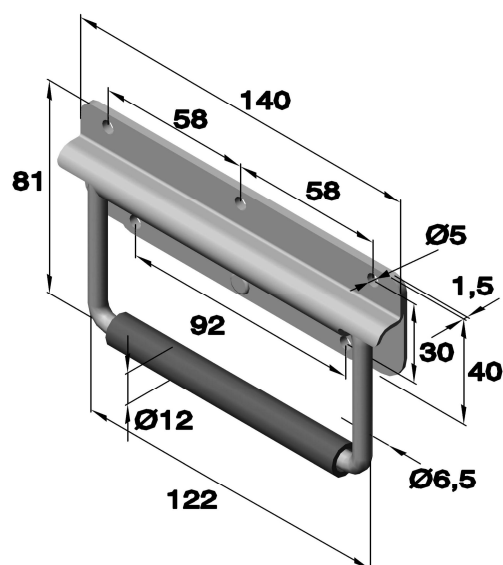
Art. no.: 100.HE-2341 (drilled)
with return spring



Article no.	
Series	Material
100.HE-2341	Raw
	Aluminium
	AL

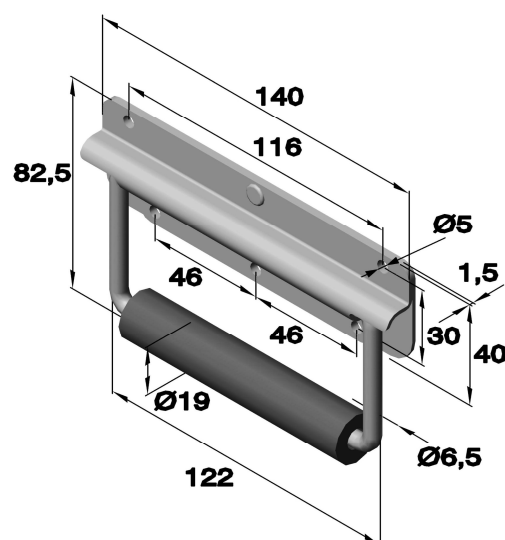
Box handles with return springs

Art. no.: 100.H10527 (drilled)
with return spring



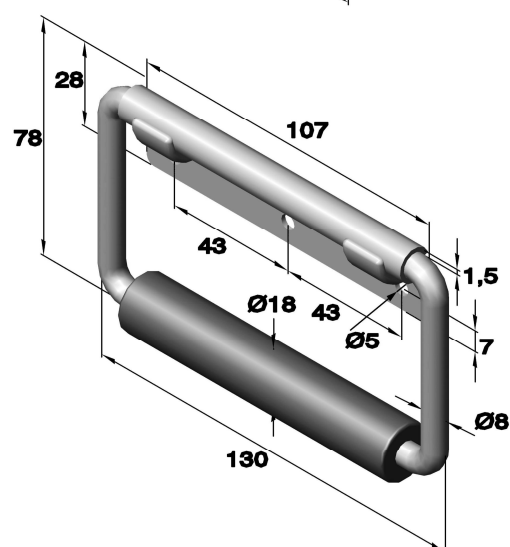
Article no.	
Series	Material
	Zinc plated
100.H10527	Steel
	.04

Art. no.: 100.H1053z (drilled)
with return spring



Article no.		
Series	Material	
	Zinc plated	Blued black
100.H1053z	Steel	Steel
	.04	.07

Art. no.: 100.H1078
with return spring



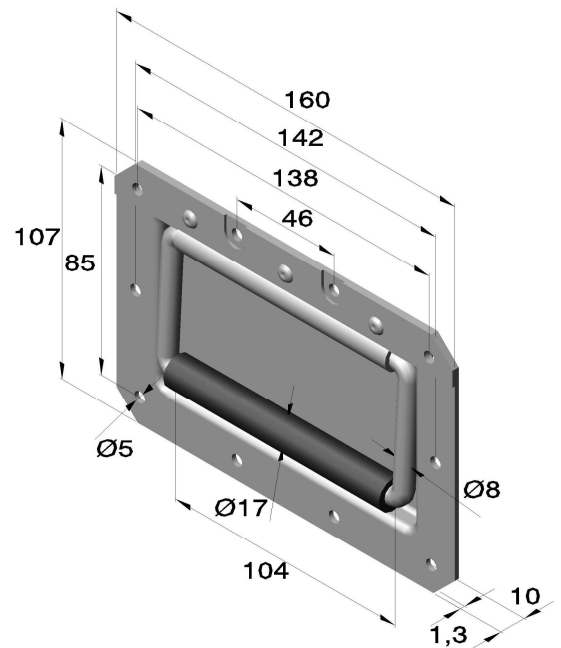
Article no.	
Series	Material
	Zinc plated
100.H1078	Steel
	.04

Box handles with return spring

Art. no.: 100.H1050 (drilled)
with return spring

Installation opening: 75 x 128

Article no.		
Series	Material	
	Zinc plated	Blued black
	Steel	Steel
100.H1050	.04	.07

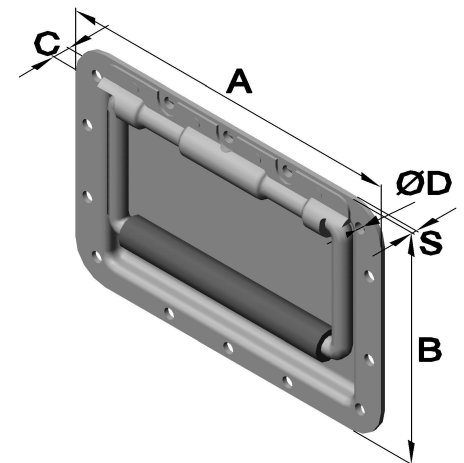


Art. no.: 100.H7165 (drilled)

Art. no.: 100.H7165-10 (drilled)
with return spring

Installation opening: 148 x 98

Article no.			Dimensions in mm				
Series	material		A	B	C	Ø D	S
	Zinc plated	Blued black					
	Steel	Steel					
100.H7165-10	.04	.07	178	127	11,5	5,2	1,5
100.H7165	Z.04	K.07	178	127	15,5	5,2	1,5

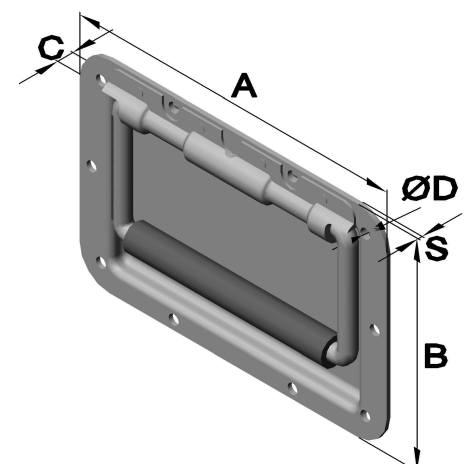


Art. no.: 100.H7149 (drilled)

Art. no.: 100.H7151 (drilled)

Art. no.: 100.H7159 (drilled)
with return spring

Article no.					Dimensions in mm				
Series	Material				A	B	C	Ø D	Ø I
	Chromated	Zinc plated	Black blued	Raw					
	Steel	Steel	Steel	Stainless steel					
100.H7149	-	.04	-	-	160	107	15	5	19
100.H7151	c.03	z.04	-	s.30	160	107	9,5	5	15,5
100.H7159	-	z.04	K.07	-	160	107	8,5	-	19



Box handles with return springs

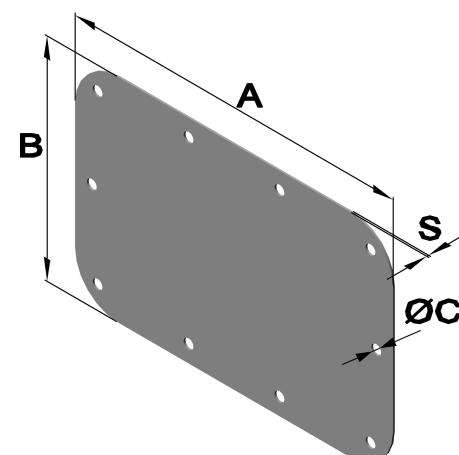
Art. no.: 100.H1085

perforated rivet plate, to

Art. no.: 100.H1050

Art. no.: 100.H7151

Art. no.: 100.H7159



Article no.			Dimensions in mm			
Series	Material		A	B	ØC	S
	Zinc plated	Blued black				
	Steel	Steel				
100.H1085	.04	.07	160	107	5	0,9

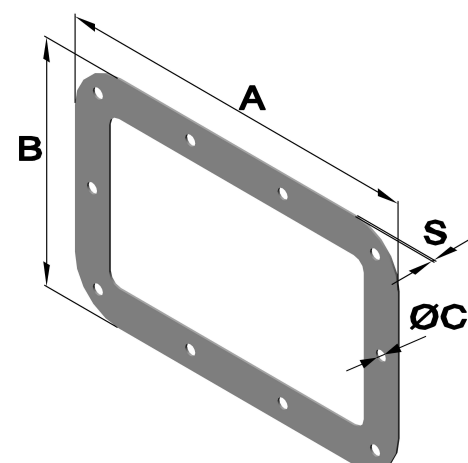
Art. no.: 100.H1906

Perforated riveted plate, to

Art. no.: 100.H1050

Art. no.: 100.H7151

Art. no.: 100.H7159



Art. no.: 100.H1065/BP

Perforated rivet plate, to

Art. no.: 100.H1065

Art. no.: 100.H7165

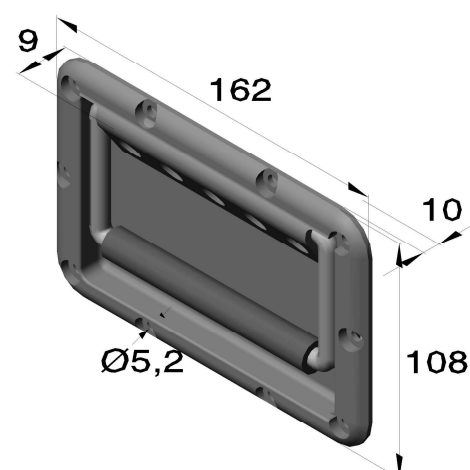
Art. no.: 100.H7159

Article no.			Dimensions in mm			
Series	Material		A	B	ØC	S
	Zinc plated	Blue black				
	Steel	Steel				
100.H1906	.04	.07	160	107,2	5	0,9
100.H1065/BP	.04	-	178	127	5	0,9

Art. no.: 100.H2751 (drilled)

with return spring

Installation opening: 130 x 75



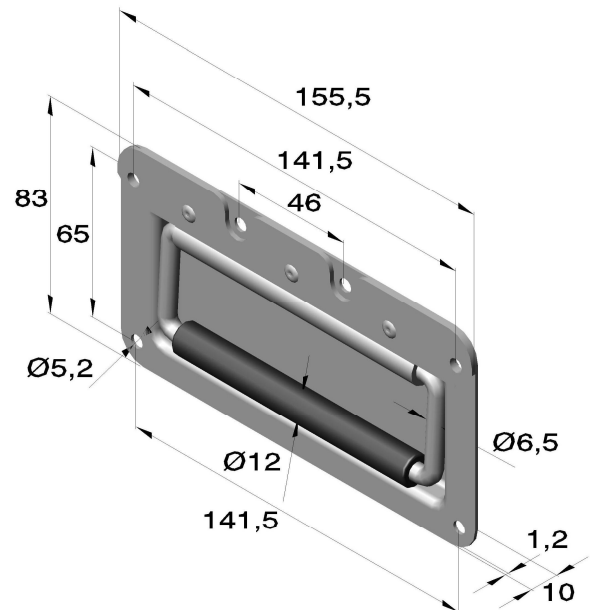
Article no.	
Series	Material
	Black
	ABS
100.H2751	K.07

Box handles with return spring

Art. no.: 100.H7148 (drilled)
with return spring

Installation opening: 130 x 55

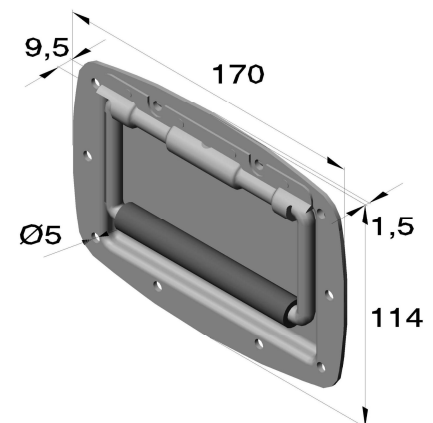
Article no.	
Series	Material
	Zinc plated
	Steel
100.H7148	.04



Art. no.: 100.H8154 (drilled)
with return spring

Installation opening: 130 x 75

Article no.	
Series	Material
	Zinc plated
	Steel
100.H8154	.04



Art. no.: 100.H4051 (drilled)
with return spring

Article no.	
Series	Material
	Zinc plated
	Steel
100.H4051	.04

