



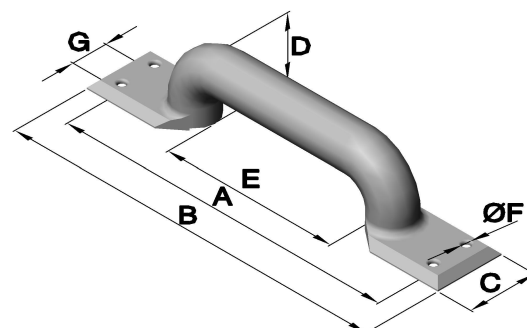
Pull handles



Pull handles

Art. no.: 1053 (drilled and countersunk)

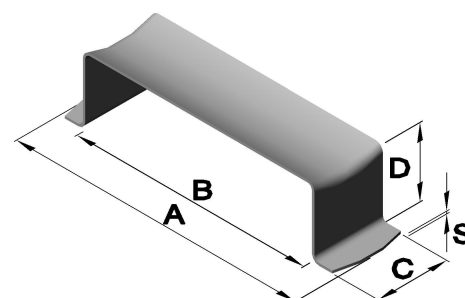
Cold-formed hollow handle



Article no.			Dimensions in mm						
Series	Execution	Material	A	B	C	D	E	Ø F	G
		Nickel plated Steel							
1053	.08	.01	66	80	18,5	13	38	3,2	-
1053	.10	.01	83	100	21,5	13	48	3,2	-
1053	.12	.01	99	120	24,5	16	60	3,2	-
1053	.14	.01	121	140	28,5	19	70	3,2	13
1053	.16	.01	140	160	29,5	24	80	3,2	13

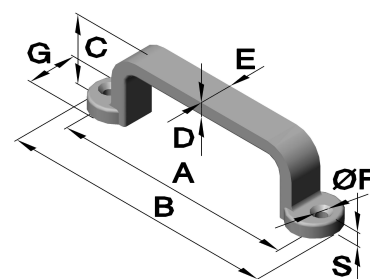
Art. no.: 3104/3105

Article no.				Dimensions in mm				
Series	Material			A	B	C	D	E
	Raw	Zinc plated	Raw					
	Steel	Steel	Stainless steel					
3104	.00	.04	.30	120	96	29	29	1
3105	-	.04	-	96	73	29	28	1



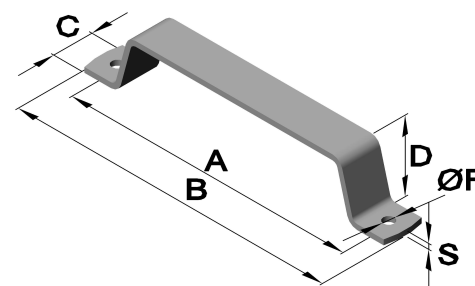
Art. no.: 6408 (drilled and countersunk)

Article no.		Dimensions in mm							
Series	Material	A	B	C	D	E	Ø F	G	S
	Polished								
	Stainless steel								
6408	.33	88	100	25	5,5	10	4,1°	18	5



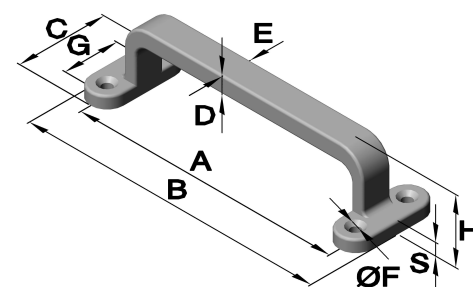
Art. no.: 6409 (drilled)

Article no.			Dimensions in mm					
Series	Material		A	B	C	D	Ø F	S
	Zinc plated	Deburred						
	Steel	Stainless steel						
6409	.04	.30	107	120	15	21	4,3	2



Pull handles

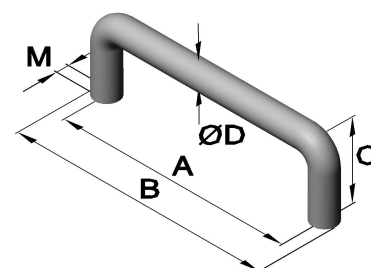
Art. no.: 6410 (drilled and countersunk)



Article no.			Dimensions in mm								
Series	Execution	Material	A	B	C	D	E	ØF	G	H	S
		Polished									
		Stainless steel									
6410	.01	.33	106	120	24	7	12	4,1	24	27	5
6410	.02	.33	126	150	30	8	15	5,3	30	33	6

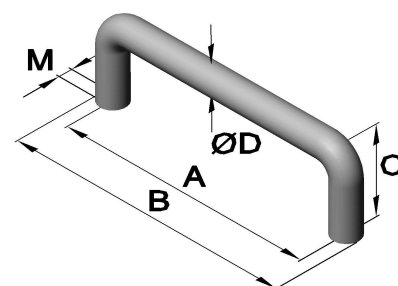
Art. no.: 6411 (with internal thread)

Article no.					Dimensions in mm					
Series	Execution	Material			A	B	C	ØD	M	Thread length
		Nickel plated	Chromated	Anodised						
		Brass	Brass	Aluminium						
6411	.01	-	-	.70	52	60	34	8	M4	10
6411	.02	-	-	.70	80	88	34	8	M4	12
6411	.03	-	-	.70	100	108	34	8	M4	12
6411	.04	-	-	.70	120	128	34	8	M4	10
6411	.05	-	-	.70	100	108	30	7	M4	8
6411	.01	.21	.23	-	100	108	30	7	M4	8



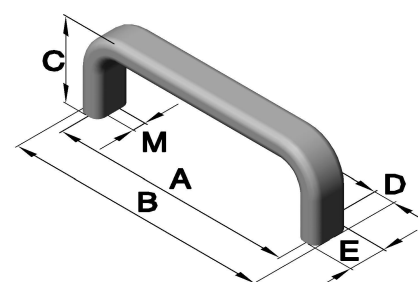
Art. no.: 6412 (with internal thread)

Article no.				Dimensions in mm					
Series	Execution	Material		A	B	C	ØD	M	Thread length
		Chromated	Raw						
		Steel	Stainless steel						
6412	.01	.03	-	102	110	38	8	M5	14
6412	.02	.03	-	153	161	38	8	M5	14
6412	.03	.03	-	204	212	38	8	M5	14
6412	.01	-	.30	150	159	28	9	M4	8
6412	.02	-	.30	120	129	28	9	M4	8
6412	.03	-	.30	95	104	28	9	M4	8



Art. no.: 6412 (with internal thread)

Article no.			Dimensions in mm					
Series	Execution	Material	A	B	C	D	M	Thread length
		Polished						
		Stainless steel						
6412	.01	.35	92	99,8	32	7,8	M5	10
6412	.02	.35	110	117,8	32	7,8	M5	10
6412	.04	.30	100	108	40	8	M5	11
6412	.05	.30	150	158	50	8	M5	11
6412	.06	.30	200	208	50	8	M5	11



Pull handles

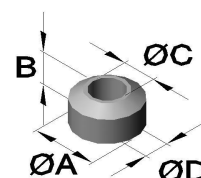
Art. no.: 6412 for

Art. no.: 6412.01.03

Art. no.: 6412.02.03

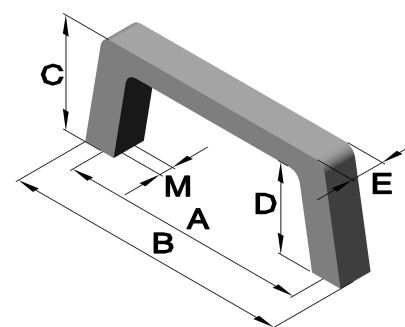
Art. no.: 6412.03.03

Article no.			Dimensions in mm			
Series	Execution	Material	Ø A	B	Ø C	Ø D
		Chromated				
		Brass				
6412	.01	.23	16	8	8,2	6



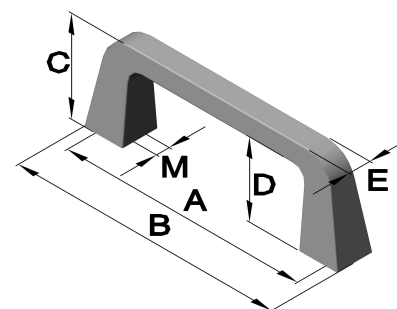
Art. no.: 6416

Article no.			Dimensions in mm						
Series	Execution	Material	A	B	C	D	E	M	Thread length
		Black Aluminium							
6416	.01	.70	88	102	40	32	12,2	M5	10
6416	.02	.70	120	134	40	32	12,2	M5	10



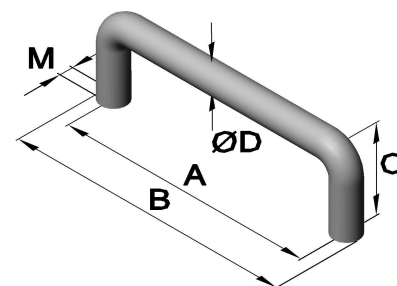
Art. no.: 6417

Article no.			Dimensions in mm						
Series	Execution	Material	A	B	C	D	E	M	Thread length
		Chromated Zamak							
6417	.01	.53	90	99	33	26	8	M4	8



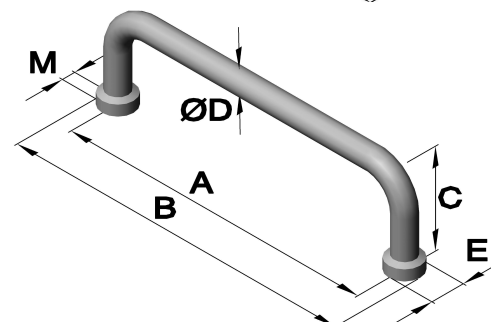
Art. no.: 6417 (with internal thread)

Article no.			Dimensions in mm					
Series	Execution	Material	A	B	C	Ø D	M	Thread length
		Polished Aluminium						
6417	.01	.70	92	102	32	10	M5	10
6417	.02	.70	108	118	39	10	M4	10



Art. no.: 6418 (with internal thread)

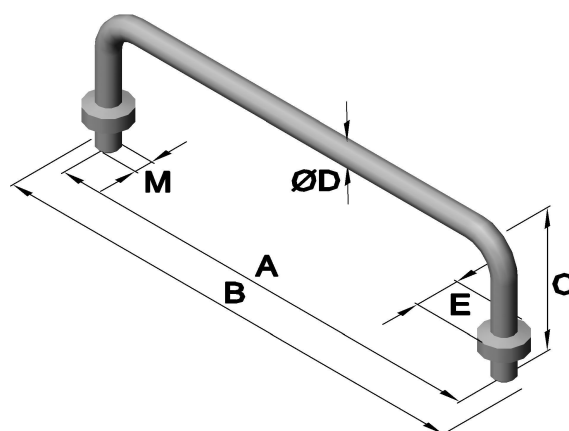
Article no.			Dimensions in mm						
Series	Execution	Material	A	B	C	Ø D	E	M	Thread length
		Polished Stainless steel							
6418	.01	.30	110	122	35	8	12	M5	11



Pull handles

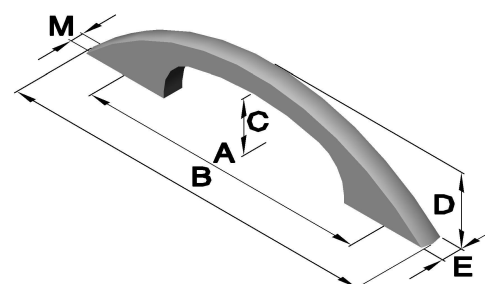
Art. no.: 6418 (with external thread)

Article no.			Dimensions in mm						
Series	Execution	Material	A	B	C	Ø D	E	M	Thread length
		Chromated Brass							
6418	.01	.23	160	176	50	8	16	M8	10



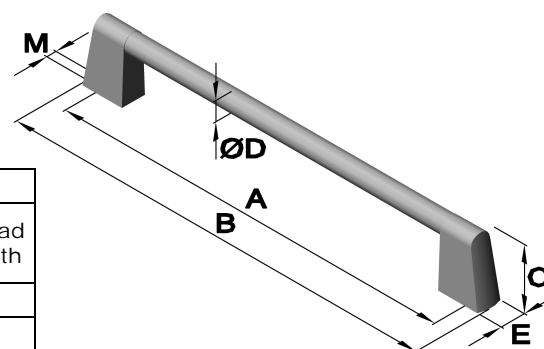
Art. no.: 6418 (with internal thread)

Article no.			Dimensions in mm						
Series	Execution	Material	A	B	C	D	E	M	Thread length
		Chromated Zamak							
6418	.01	.53	111	145	21	29	8	M4	5



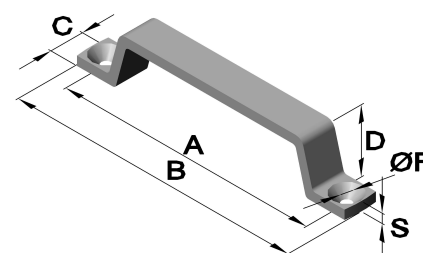
Art. no.: 6418 (with internal thread)

Article no.				Dimensions in mm						
Series	Execution	Material		A	B	C	Ø D	E	M	Thread length
		Black Zamak	Chromated Zamak							
6418	.01	.50	-	160	174	26	8	10	M4	8
6418	.02	-	.53	160	174	26	8	10	M4	8



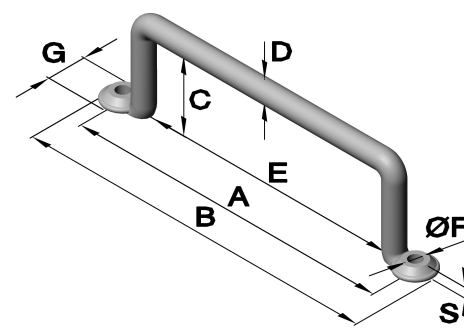
Art. no.: 6420 (drilled and countersunk)

Article no.			Dimensions in mm					
Series	Execution	Material	A	B	C	D	Ø F	S
		Chromated Zamak						
6420	.03	Zamak	107	120	14	22	4,3*90°	4



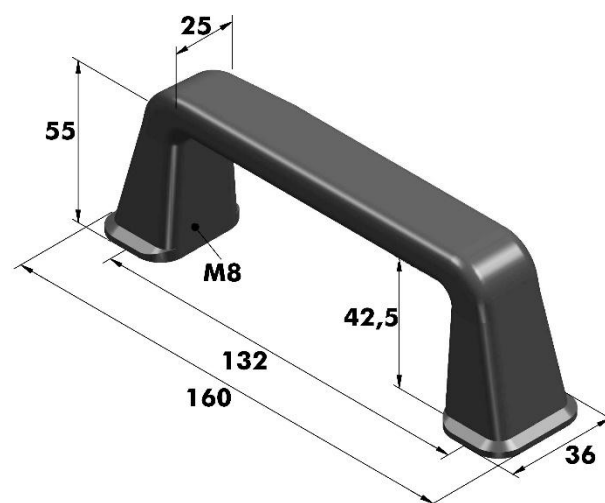
Pull handles

Art. no.: 6420 (drilled)



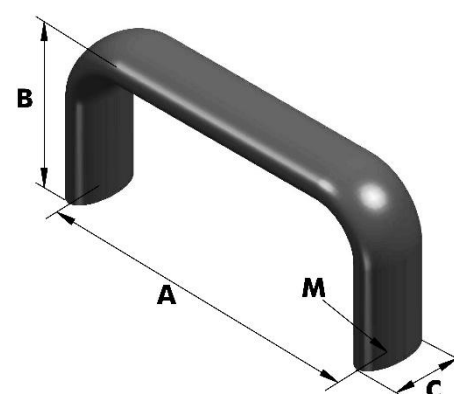
Article no.			Dimensions in mm							
Series	Execution	Material	A	B	C	D	E	Ø F	G	S
		Zinc plated Steel								
6420	.10	.02	125	140	30	8	85	5,1	16	3

Art.no.:6422 (with internal thread)



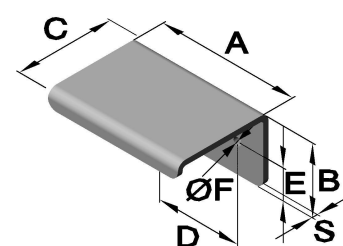
Article no.		
Series	Execution	Material
6422	.03	Black Plastic

Art.no.:6424 (with internal thread)



Article no.			Dimensions in mm			
Series	Execution	Material	A	B	C	M
		Black				
6424	.01	Aluminium	75	38	16	M5
6424	.02	Aluminium	100	38	16	M5
6424	.03	Aluminium	150	38	16	M5

Art. no.: 6445

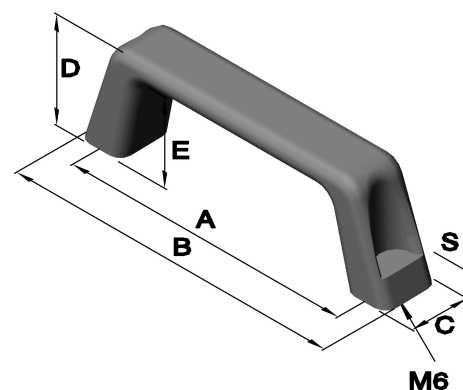


Article no.			Dimensions in mm							
Series	Execution	Material	A	B	C	D	E	Ø F	S	
6445	.03	Chromated	50	25	35	30	11	4,2*90°	2	

Pull handles

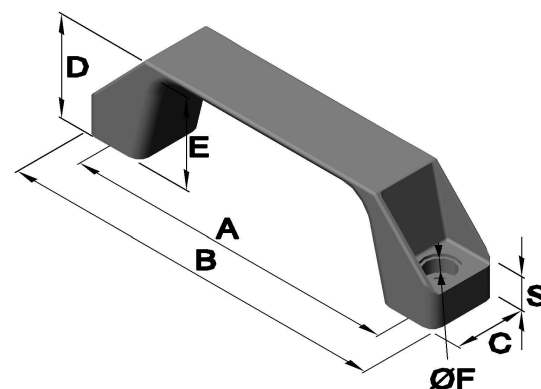
Art. no.: 7038 (with internal thread)

Article no.		Dimensions in mm					
Series	Material	A	B	C	D	E	S
7038	PA Black	162	178	26	46	36	15



Art. no.: 6420/7039 (drilled and countersunk for SW 10)

Article no.			Dimensions in mm						
Series	Execution	Material	A	B	C	D	E	Ø F	S
6420	.04	PA Black	122	142	26	40	32	6,2	12
6420	.05	PA Black	150	170	28	52	42	6,2	13
7039	-	PA Black	130	149	25	40	30	6,4	10



Pull handles



Management
System
ISO 14001:2015
www.tuv.com
ID: 9110824624

Phone:
Fax:
Email:
Homepage:

+49 (0) 231 / 725 790 -0
+49 (0) 231 / 725 790 -10
info@hokon-verschluss technik.de
www.hokon-verschluss technik.de