



## Hinges





## Hinges





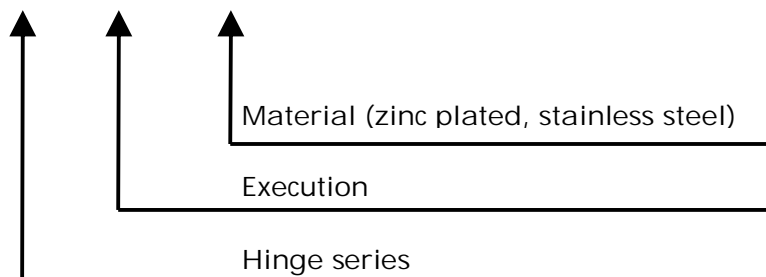
## Hinges

### Materials and surface finishes:

.00	Raw steel
.01	Nickel-plated
.02	Brassed
.03	Chromated
.04	Zinc plated steel
.05	Bronzed
.06	Black zinc plated
.07	Blued
.08	Yellow chromated
.09	EPD (Electrophoretic deposition)
.10	Anodized silver-coloured
.20	Raw Brass
.22	Polished Brass
.23	Chromated Brass
.30	Raw stainless steel (1.4301)
.33	Polished stainless steel
.35	Raw stainless steel (1.4401)
.50	Raw Zamak (zinc aluminium magnesium copper)
.70	Raw aluminium
.80	Raw polyamide

### Ordering example:

Art.no 6001. 01/02. 04/30

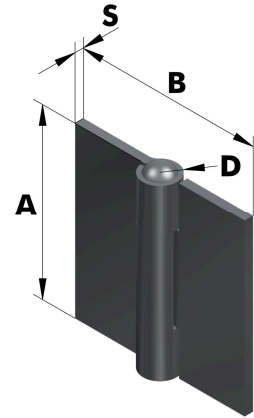


## Hinges

### Art. no.: 6001

with extractable pin

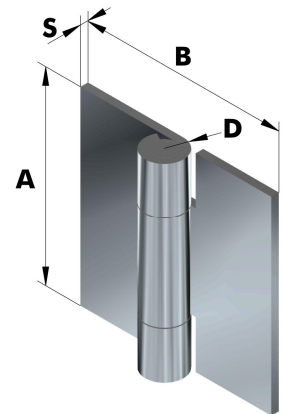
Article no.			Dimensions in mm				
Series	Execution	Material	A	B	D	S	Pin Ø
		Raw					
		Steel					
6001	.01	.00	40	40	8	2	4
6001	.02	.00	50	50	10	2	6
6001	.03	.00	60	60	10	2	6
6001	.04	.00	70	70	10	2	6



### Art. no.: 6002

with riveted pin

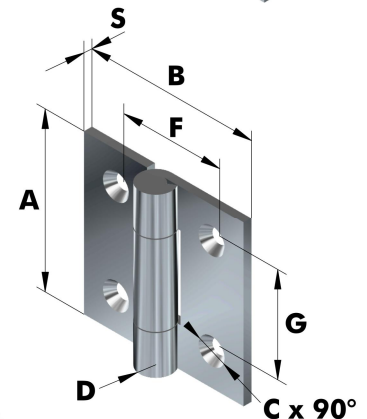
Article no.				Dimensions in mm						
Series	Execution	Material			A	B	D	E	S	Pin Ø
		Raw								
		Steel	Stainless steel	Stainless steel						
6002	.01	.00	.30	.35	40	40	8	4	2	4
6002	.02	.00	.30	.35	50	50	10	5	2	6
6002	.03	.00	.30	.35	60	60	10	5	2	6
6002	.04	.00	.30	-	70	70	10	5	2	6
6002	.05	.00	.30	-	80	80	11	5,5	2,5	6
6002	.06	.00	.30	-	100	100	11	5,5	2,5	6



### Art. no.: 6002 (drilled and countersunk)

with riveted pin

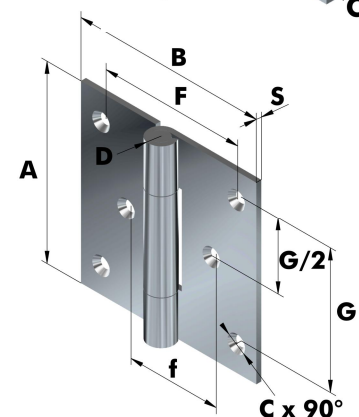
Article no.				Dimensions in mm							
Series	Execution	Material		A	B	C Ø	D	F	G	S	Pin Ø
		Raw									
		Stainless steel	Stainless steel								
6002	.07	.30	.35	40	40	4	8	24	24	2	4
6002	.08	.30	.35	50	50	4,5	10	34	34	2	6
6002	.09	.30	.35	60	60	4,5	10	44	40	2	6



### Art. no.: 6002 (drilled and countersunk)

with riveted pin

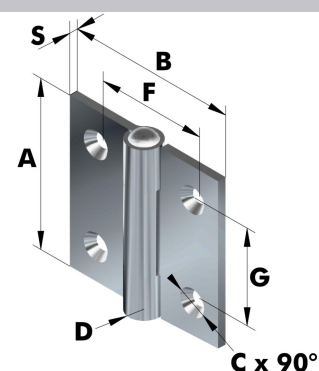
Article no.			Dimensions in mm								
Series	Execution	Material	A	B	C Ø	D	F	f	G	S	Pin Ø
		Raw									
		Stainless steel									
6002	.10	.30	70	70	4,5	10	54	34	50	2	6
6002	.11	.30	80	80	4,5	11	64	39	60	2,5	6



## Hinges

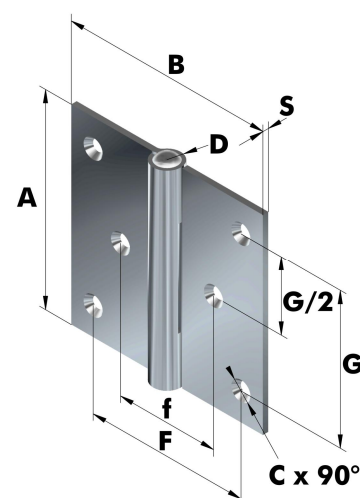
Art. no.: **6003** (drilled and countersunk)  
with extractable pin

Article no.				Dimensions in mm							
Series	Execution	Material		A	B	C Ø	D	F	G	S	Pin Ø
		Zinc plated	Raw								
		Steel	Stainless steel								
6003	.01	.04	.30	40	40	4	8	26	24	2	4
6003	.02	.04	.30	50	50	4,5	10	34	34	2	6
6003	.03	.04	.30	60	60	4,5	10	44	40	2	6



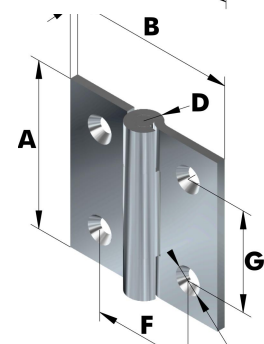
Art. no.: **6004** (drilled and countersunk)  
with extractable pin

Article no.				Dimensions in mm									
Series	Execution	Material		A	B	C Ø	D	F	f	G	S	Pin Ø	
		Zinc plated	Raw										
		Steel	Stainless steel										
6004	.01	.04	.30	70	70	4	10	54	34	50	2	6	
6004	.02	.04	.30	80	80	4,5	11	64	39	60	2,5	6	



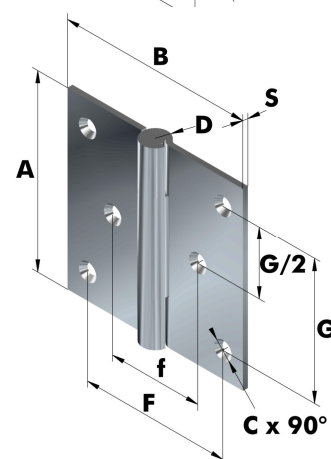
Art. no.: **6005** (drilled and countersunk)  
with riveted pin

Article no.				Dimensions in mm							
Series	Execution	Material		A	B	C Ø	D	F	G	S	Pin Ø
		Raw									
		Stainless steel	Stainless steel								
6005	.01	.30	.35	40	40	4	8	24	24	2	4
6005	.02	.30	.35	50	50	4,5	10	34	34	2	6
6005	.03	.30	.35	60	60	4,5	10	44	40	2	6



Art. no.: **6006** (drilled and countersunk)  
with riveted pin

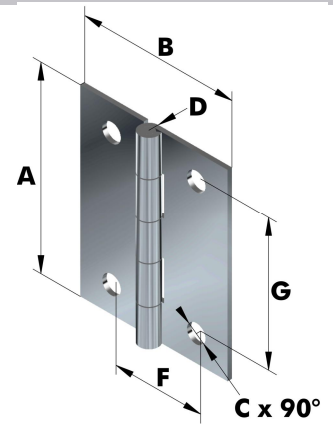
Article no.				Dimensions in mm								
Series	Execution	Material		A	B	C Ø	D	F	f	G	S	Pin Ø
		Raw	Zinc plated									
		Stainless steel	Steel									
6006	.01	.30	-	70	70	4,5	10	54	34	50	2	6
6006	.02	.30	-	80	80	4,5	11	64	39	60	2,5	6
6006	.04	-	.04	100	84	5,5	-	55	42	79	3	6



## Hinges

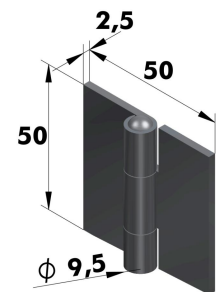
Art. no.: **6007** (drilled and countersunk)  
with fixed pin

Article no.				Dimensions in mm							
Series	Execution	Material		A	B	C Ø	D	F	G	S	Pin Ø
		Zinc plated	Raw								
		Steel	Stainless steel								
6007	.01-drilled	.04	.30	50	40	5	3,1	23	36	1,2	2,7
6007	.02-sunk	.04	.30	50	40	5	3,1	23	36	1,2	2,7
6007	.03-sunk	-	.30	60	35	4	2	19,5	40	1	1
6007	.04-sunk	-	.30	60	35	4	2	19,5	40	1	1



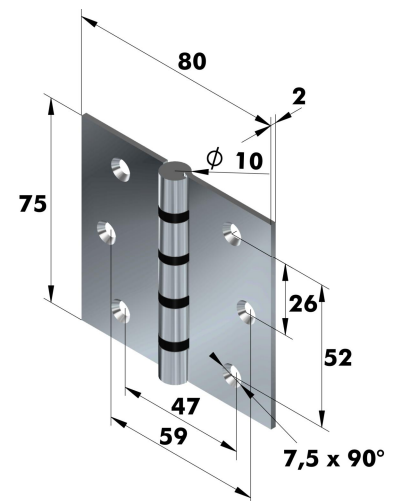
Art. no.: **6008**  
with riveted pin

Article no.		
Series	Execution	Material
		Raw
		Steel
6008	.01	.00



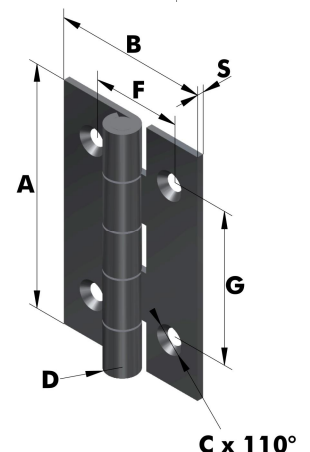
Art. no.: **6009** (drilled and countersunk)  
with fixed pin and nylon transitional ring

Article no.		
Series	Execution	Material
		Raw
		Stainless steel
6009	.01	.30



Art. no.: **6010** (drilled and countersunk)  
with fixed pin

Article no.				Dimensions in mm							
Series	Execution	Material		A	B	C Ø	D	F	G	S	Pin Ø
		Steel	Stainless steel								
		Raw									
6010	.01	.00	-	30	19	2	4	11	19	0,8	2,4
6010	.02	.00	-	35	22	2,5	4	14	22	0,8	2,4
6010	.03	.00	-	40	25	2,5	4,5	15	27	0,9	2,7
6010	.04	-	.30	50	30	3,5	5	17	35	1	3
6010	.05	.00	-	50,3	29,8	2,5	4,4	15,4	35,2	1	2,4

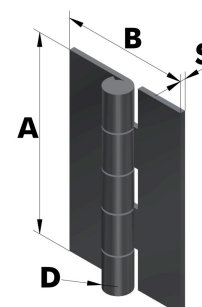


## Hinges

### Art. no.: 6010

with fixed steel pin

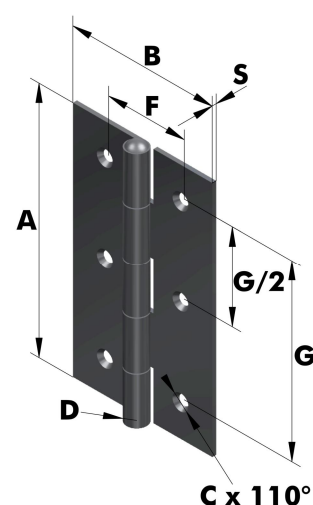
Article no.			Dimensions in mm				
Series	Execution	Material	A	B	D	s	Pin Ø
		Raw					
		Steel					
6010	.06	.00	30	19	4	0,8	2,4
6010	.07	.00	35	22	4	0,8	2,4
6010	.08	.00	40	25	4,5	0,9	2,7
6010	.10	.00	50,3	29,8	4,4	1	2,4



### Art. no.: 6011 (drilled and countersunk)

with fixed steel pin

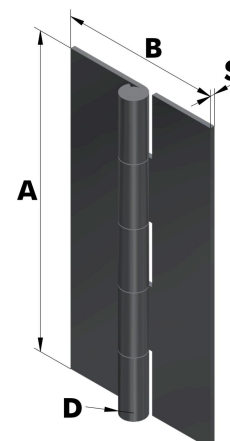
Article no.			Dimensions in mm							
Series	Execution	Material	A	B	C Ø	D	F	G	S	Pin Ø
		Raw								
		Steel								
6011	.01	.00	60	35	2,5	5	19	44	1	3
6011	.02	.00	70	41,5	3	5,5	24,1	52	1	3,5
6011	.03	.00	80,5	45,4	4	5,5	26,2	59,3	1	3,5
6011	.04	.00	100	50	4,5	7,9	30	77	1,5	4,9



### Art. no.: 6011

with fixed steel pin, drills on inquiry

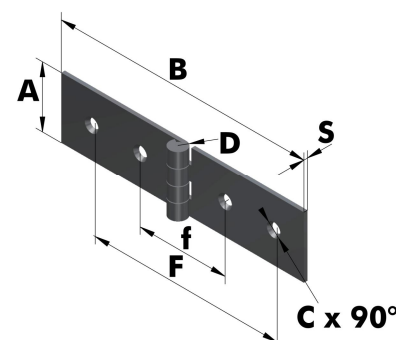
Article no.			Dimensions in mm				
Series	Execution	Material	A	B	D	S	Pin Ø
		Raw					
		Steel					
6011	.05	.00	60	35	5	1	3
6011	.06	.00	70	41,5	5,5	1	3,5
6011	.07	.00	80	45	6,3	1,2	3,9
6011	.08	.00	100	50	7,9	1,5	4,9



### Art. no.: 6013

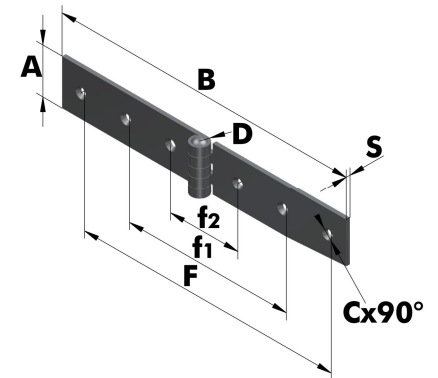
with fixed pin, drilled and countersunk

Article no.			Dimensions in mm							
Series	Execution	Material	A	B	C Ø	D	F	f	S	Pin Ø
		Raw								
		Steel								
6013	.01	.00	20	77	3	5,6	60	28	1,2	3
6013	.02	.00	22	120	4	8	93	33	1,5	4,9



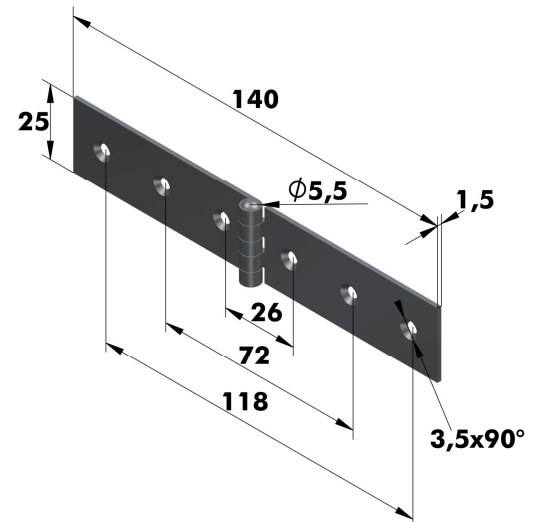
## Hinges

Art. no.: 6015 (drilled and countersunk)  
with fixed pin



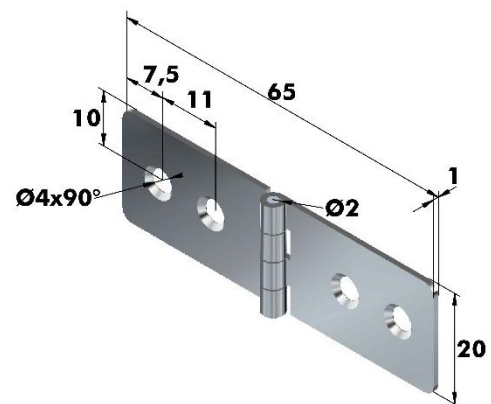
Article no.				Dimensions in mm									
Series	Execution	Material		A	B	C Ø	D	F	f1	f2	S	Pin Ø	
		Raw	Zinc plated										
		Steel	Steel										
6015	.01	.00	.04	30	190	4	11	165	80	45	2,5	6	
6015	.02	.00	.04	30	220	4	11	193	118	43	2,5	6	

Art. no.: 6016 (drilled and countersunk)  
with fixed pin



Article no.		
Series	Execution	Material
		Raw
		Steel
6016	.01	.00

Art.Nr.:6017 (perforated and countersunk)



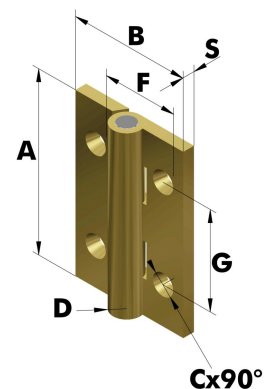
Article no.		
Series	Execution	Material
		Raw
		Stainless steel
6017	.01	.30



## Hinges

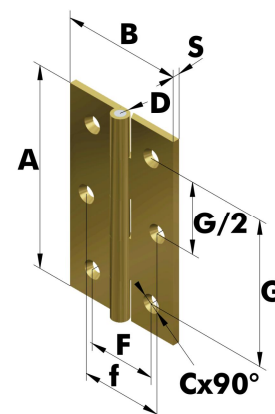
Art. no.: **6018** (drilled and countersunk)  
with fixed stainless-steel pin

Article no.			Dimensions in mm								
Series	Execution	Material	A	B	C Ø	D	F	G	S	Pin Ø	
		Raw									
		Brass									
6018	.03	.20	30	20	2,5	5	12,5	17	2	3	
6018	.04	.20	30	30	2,5	5	19	17	2	3	



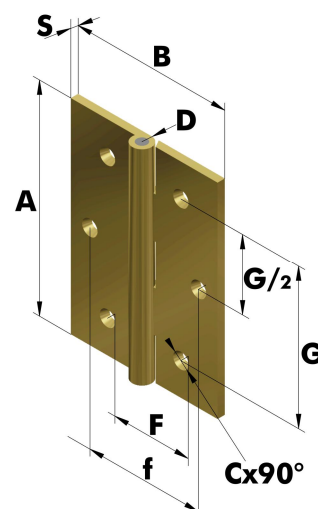
Art. no.: **6019** (drilled and countersunk)  
with fixed stainless-steel pin

Article no.			Dimensions in mm								
Series	Execution	Material	A	B	C Ø	D	F	f	G	S	Pin Ø
		Raw									
		Brass									
6019	.03	.20	40	35	3	5	21	-	28	2	3
6019	.04	.20	40	40	3	5	23	-	28	2	3
6019	.05	.20	50	30	3	5	17,5	-	35	2	3
6019	.06	.20	60	35	3,5	5	20	24	43	2	3
6019	.07	.20	60	40	3,5	4,5	21,5	26	43	2	3



Art. no.: **6020** (drilled and countersunk)  
with fixed stainless-steel pin

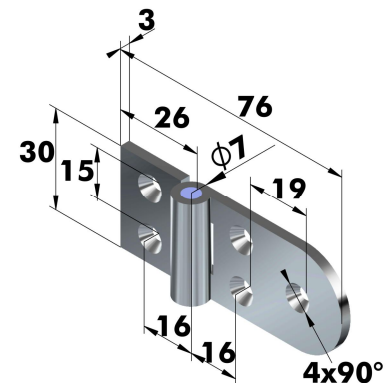
Article no.			Dimensions in mm								
Series	Execution	Material	A	B	C Ø	D	F	f	G	S	Pin Ø
		Raw									
		Brass									
6020	.01	.20	70	40	3,5	5,5	23	27	48	2	3
6020	.02	.20	70	50	3,5	6,5	25	37	48	2,5	3,5
6020	.03	.20	80	45	3,5	5,5	22,5	30,5	58	2,2	3
6020	.04	.20	80	60	4	7	28	45	57	3	4



## Hinges

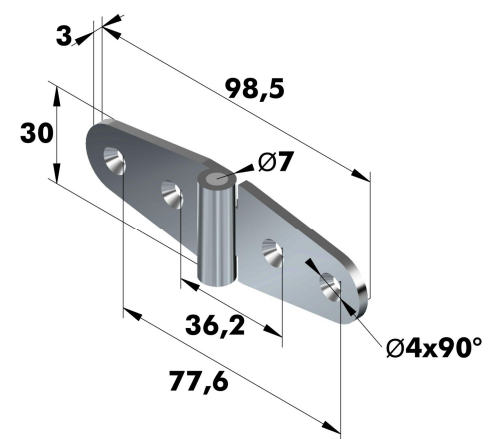
Art. no.: 6025 (perforated and countersunk)  
with fixed stainless-steel pin

Article no.		
Series	Execution	Material
		6025
		.23



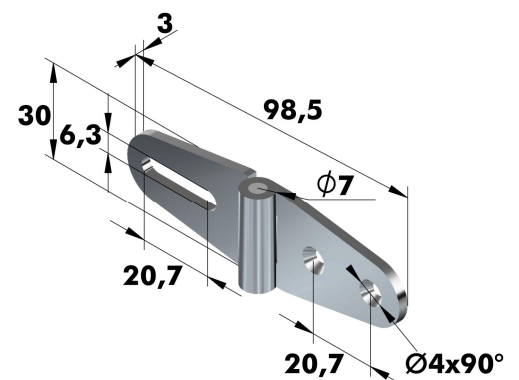
Art. no.: 6027 (perforated and countersunk)  
with fixed stainless-steel pin

Article no.		
Series	Execution	Material
		6027
		.23



Art. no.: 6028 (perforated and countersunk)  
with fixed stainless-steel pin

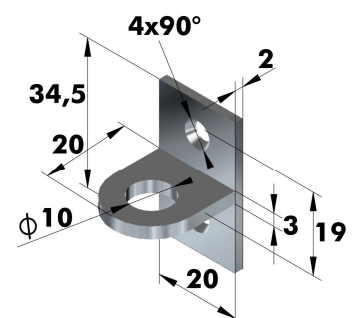
Article no.		
Series	Execution	Material
		6028
		.23



Art. no.: 6029 (perforated and countersunk)

Suitable to art. no.: 6026/6028

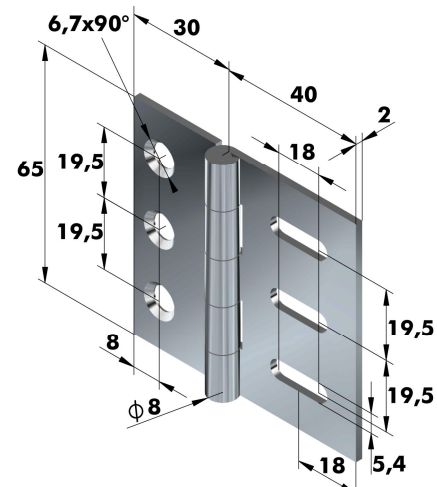
Article no.		
Series	Execution	Material
		6029
		.23



## Hinges

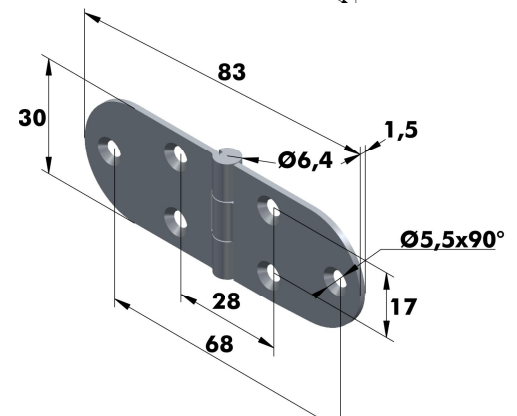
Art. no.: 6044 (perforated and countersunk)  
with fixed pin

Article no.		
Series	Execution	Material
		Zinc plated
6044	.01	Steel
		.04



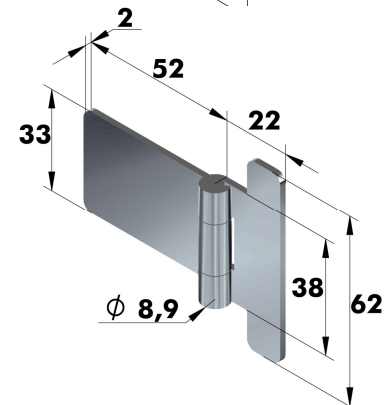
Art. no.: 6046 (perforated and countersunk)  
with fixed pin

Article no.		
Series	Execution	Material
		Nickel plated
6046	.01	Steel
		.01



Art. no.: 6047  
with fixed pin

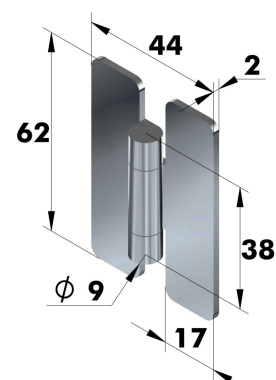
Article no.			
Series	Execution	Material	
		Raw	
6047	.01	Steel	Stainless steel
		.00	.30



Art. no.: 6048  
with fixed pin

Stainless steel (1.4301) on inquiry

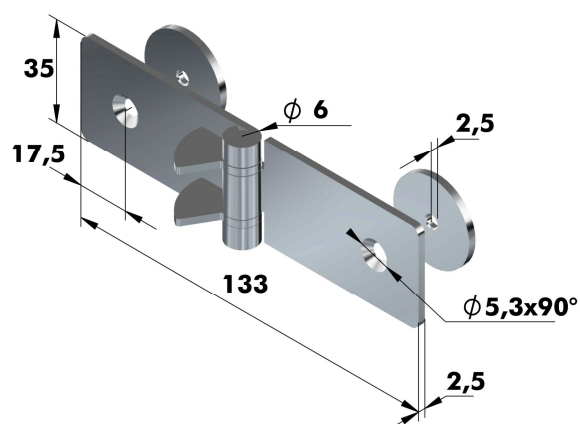
Article no.			
Series	Execution	Material	
		Raw	
6048	.01	Steel	Stainless steel
		.00	.30



## Hinges

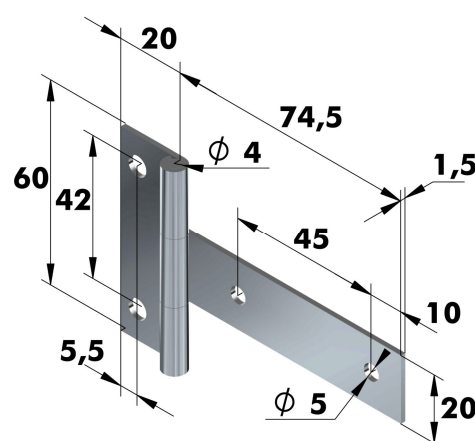
Art. no.: **6052** (perforated and countersunk)  
with fixed pin  
Stop at 60°  
Suitable for the installation of glass doors.

Article no.		
Series	Execution	Material
		Polished
6052	.01	Stainless steel
		.33



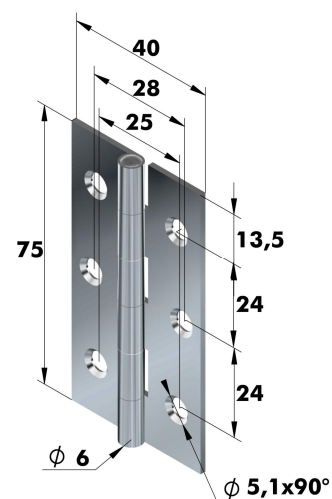
Art. no.: **6106** (perforated)  
with extractable pin

Article no.	
Series	Material
	Polished
6106	Stainless steel
	.30



Art. no.: **6109** (perforated and countersunk)  
with riveted pin

Article no.		Dimension in mm
Series	Material	Pin Ø
	Raw	
6109	Stainless steel	3
	.30	



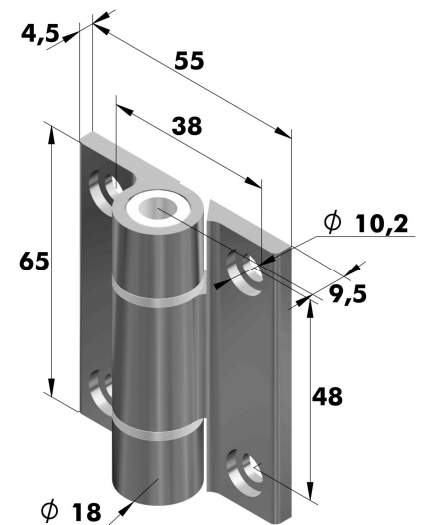
## Hinges

Art.no. 6540 (drilled and countersunk)

Also available as:

Spring hinge see chapter „spring hinges“

Torque- and detent hinge see chapter „torque and detent hinges“



Article no.		Material	
Series	Execution	Aluminium 6060 T5	
		Silver	Black
6540	.01 no plug	.70	.77
6540	.02 with plug	.70	.77

Art. no.: 6872 (drilled and countersunk)

Art. no.: 6873 (drilled and countersunk)

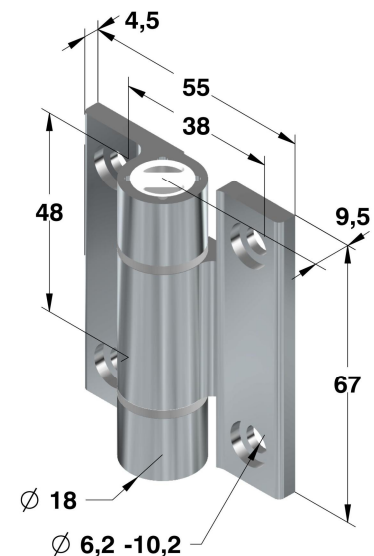
With integrated spring

Also available as:

Free running hinge see chapter „hinges“

Torque hinge see chapter „torque and detent hinges“

Detent hinges see chapter „torque and detent hinges“



Article no.		Material							Elastic force in N.m		
Series	Execution	Alu 6060 T5		Stainless steel	Anodized				0°	90°	180°
		Silver	Black		Blue	Red	Bronze	Gold			
6872	.01 (opening)	.70	.77	.30	.72	.73	.74	.75	0,23	0,45	0,7
6872	.01 (straight)	.70-AG	.77-AG	-	-	-	-	-	0,23	0,45	0,7
6872	.03 (closing)	.70	.77	.30	.72	.73	.74	.75	0,23	0,45	0,7
6872	.02 (opening)	.70	.77	.30	.72	.73	.74	.75	0,12	0,24	0,35
6872	.02 (straight)	.70-AG	.77-AG	-	-	-	-	-	0,12	0,24	0,35
6872	.04 (closing)	.70	.77	.30	.72	.73	.74	.75	0,12	0,24	0,35
6873	.01 (opening)	.70	.77	.30	.72	.73	.74	.75	0,9	1,1	1,3
6873	.01 (straight)	.70-AG	.77-AG	-	-	-	-	-	0,9	1,1	1,3
6873	.02 (closing)	.70	.77	.30	.72	.73	.74	.75	0,9	1,1	1,3

## Hinges

Art.no. 6873 (with thread bolt M6)

With intergrated spring

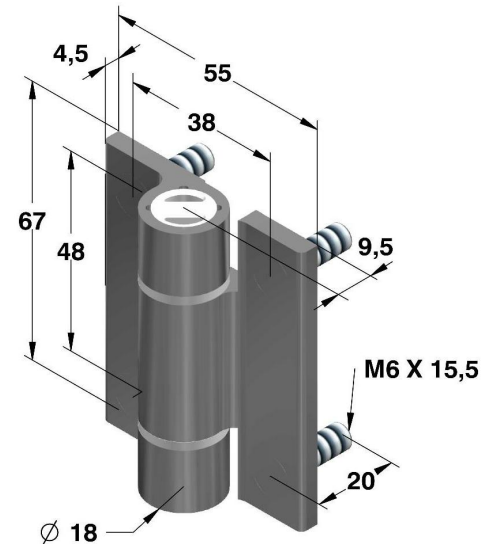
Also available as:

Free running hinge see chapter „hinges“

Torque hinge see chapter „torque hinge“

Detent hinge see chapter „detent hinge“

Article no.				Elastic force in N.m		
Series	Execution	Material		0°	90°	180°
		Alu 6060 T5				
		Silver	Black			
6873	.04(opening)	.70	.77	0,23	0,45	0,7
6873	.05(closing)	.70	.77	0,23	0,45	0,7
6873	.06(opening)	.70	.77	0,12	0,24	0,35
6873	.07(closing)	.70	.77	0,12	0,24	0,35
6873	.08(opening)	.70	.77	0,9	1,1	1,3
6873	.09(closing)	.70	.77	0,9	1,1	1,3



Art.no. 6876 (drilled and countersunk)

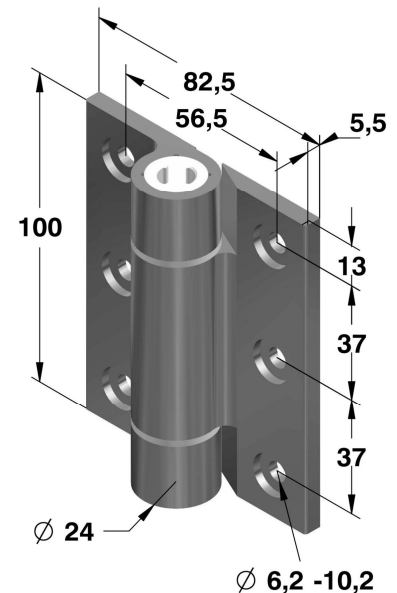
with integrated spring

Also available as:

Free running hinge see chapter „hinges“

Soft-Closing hinge see chapter „torque and detent hinges“

Article.no				Elastic force in N.m		
Series	Execution	Material		0°	90°	180°
		Alu 6082 T5				
		Silver	Black			
6876	.01(opening)	.70	.77	2,4	3,1	3,8
6876	.02(closing)	.70	.77	2,4	3,1	3,8



## Hinges

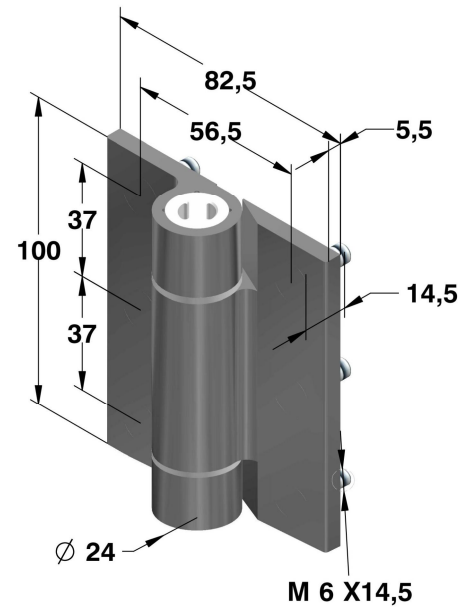
Art.no. 6876 (with M6x14,5mm bolt)

with intergrated spring

Also available as:

Free running hinge ´see chapter „hinges“

Soft-Closing hinge see chapter „torque- and detent hinges“



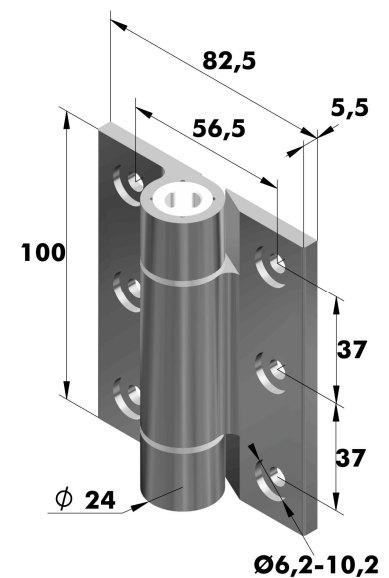
Article no.		Elastic force in N.m				
Series	Execution	Material		0°	90°	180°
		Alu 6082 T5				
		Silver	Black			
6876	.03(opening)	.70.	.77	2,4	3,1	3,8

Art.no. 6876 (drilled and countersunk)

Also available:

Spring hinge see chapter „spring hinges “

Torque hinges see chapter „torque and detent hinges “

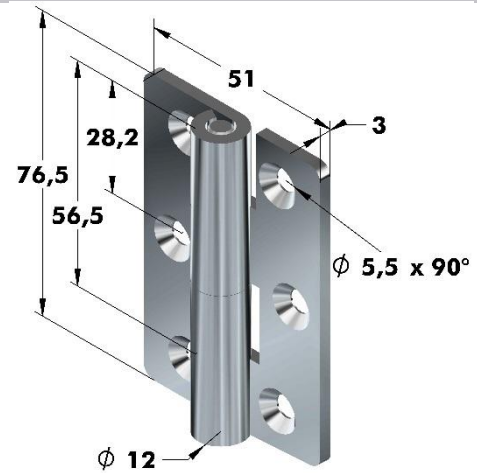


Article no.		Material	
Series	Execution	Aluminium 6060 T5	
		Silver	Black
6876	.08	.71	-
6876	.09	-	.77

## Hinges

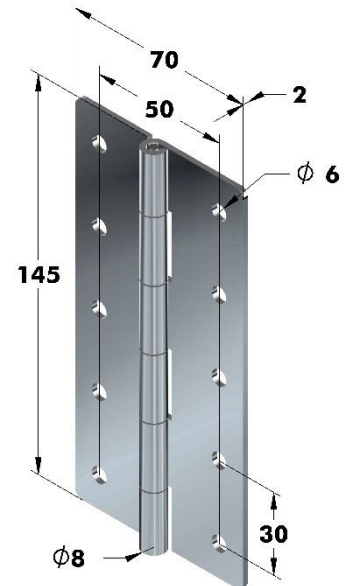
Art.no.: 99.7651 (perforated and countersunk)  
with fixed pin

Article no.	
Series	Material
	Raw
	Stainless steel
99.7651	.30



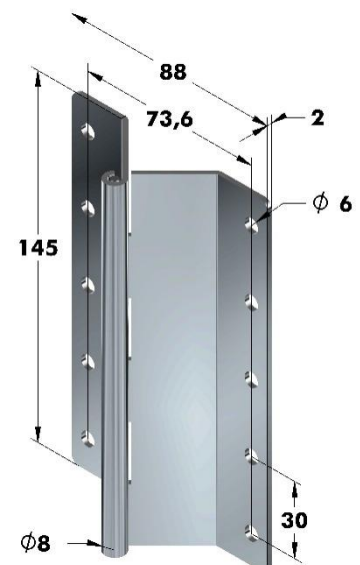
Art.no.: 196.5.F37.001.001 (perforated)  
with fixed steel pin

Article no.	
Series	Material
	Zinc plated
	Steel
196.5.F37.001.001	.00



Art.no.: 196.5.F37.001.002 (perforated)  
with fixed steel pin

Article no.	
Series	Material
	Zinc plated
	Steel
196.5.F37.001.002	.00

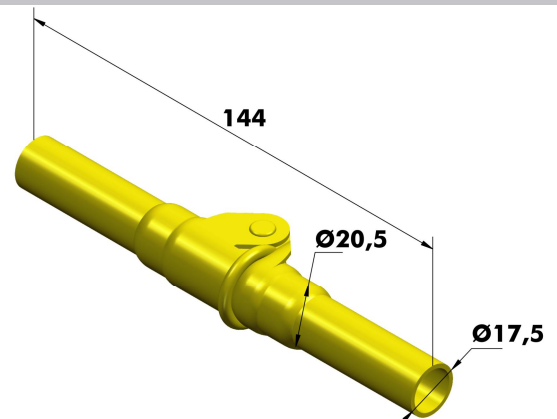




## Hinges

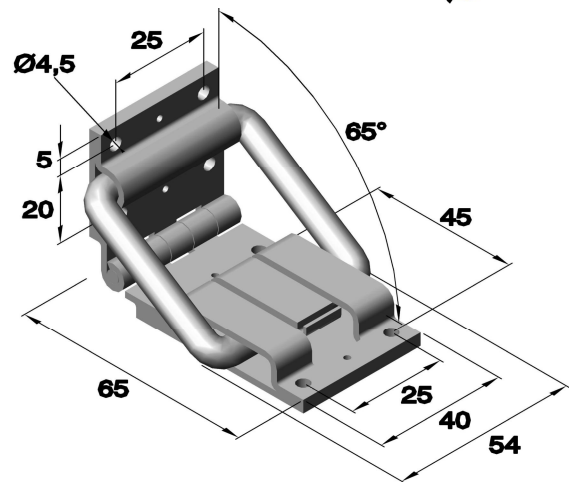
Art. no.: 6058 tubular hinge  
with fixed pin

Article no.		
Series	Execution	Material
		6058



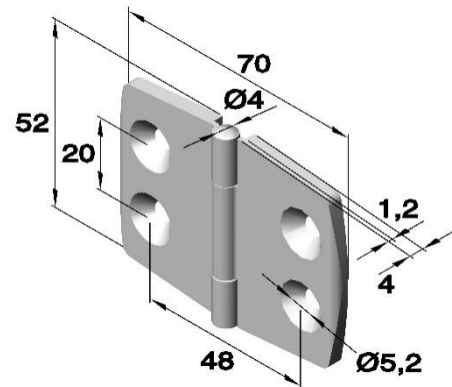
Art. no.: 6058  
Stop hinge with locking by 105°  
with fixed pin (Ø5)

Article no.		
Series	Execution	Material
		6058



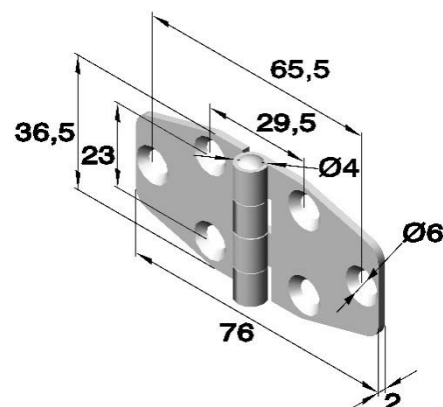
Art.no.:6176 (drilled and countersunk)  
with riveted pin

Article no.		
Series	Execution	Material
		6176



Art.no.:6177 (drilled and countersunk)  
with riveted pin

Article no.		
Series	Execution	Material
		6177

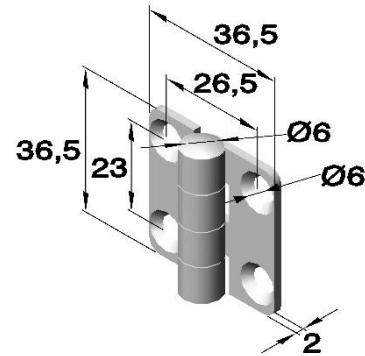


## Hinges

Art.no.:6178 (drilled and countersunk)

with riveted pin

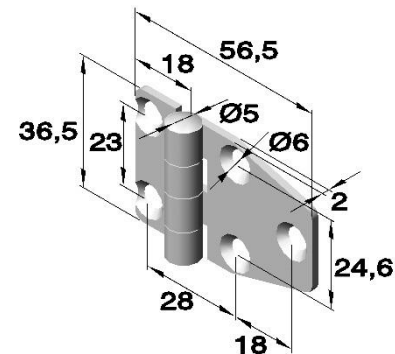
Article no.		
Series	Execution	Material
		Polished
6178	.01	Stainless steel 1.4401
		.33



Art.no.:6179 (drilled and countersunk)

with riveted pin

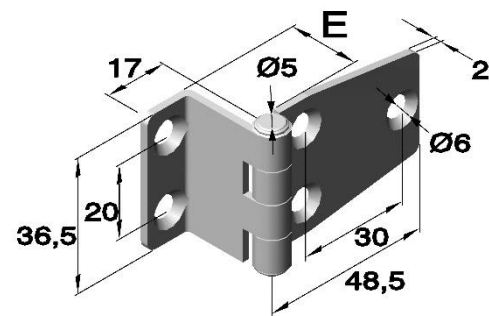
Article no.		
Series	Execution	Material
		Polished
6179	.01	Stainless steel 1.4401
		.33



Art.no.:6180 (drilled and countersunk)

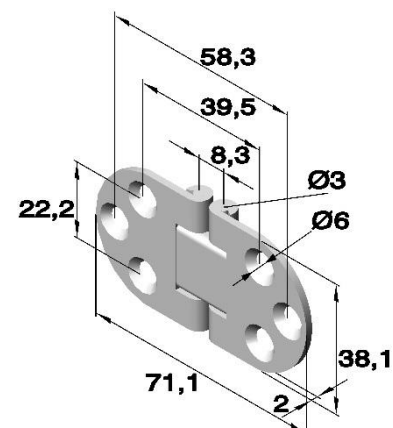
with riveted pin

Article no.			Dimensions in mm
Series	Execution	Material	E
		Polished	
6180	.01	Stainless steel 1.4401	10
6180	.02	.33	15,9
6180	.03	.33	19,2



Art.no.:6181 (perforated and countersunk)

Article no.	
Series	Material
	Polished
6181	Stainless steel
	.33

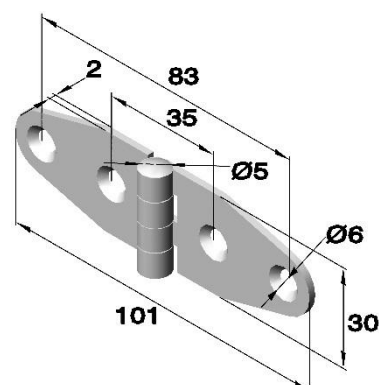


## Hinges

Art.no.:6182 (perforated and countersunk)

with riveted pin

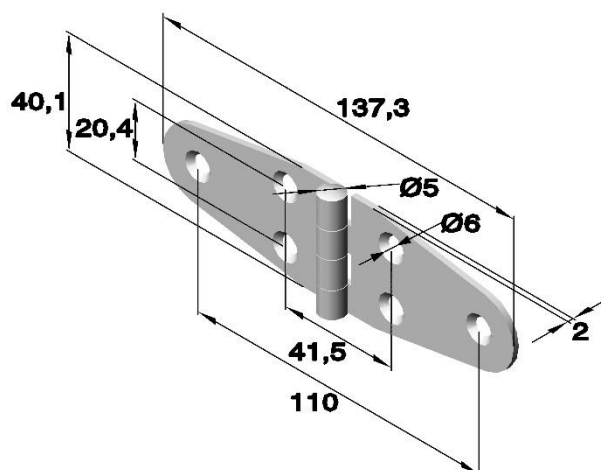
Article no.	
Series	Material
	Polished
6182	Stainless steel
	.33



Art.no.:6183 (perforated and countersunk)

with riveted pin

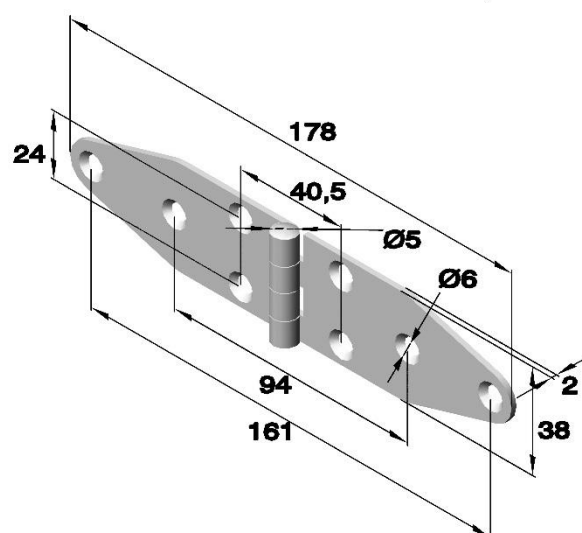
Article no.		
Series	Execution	Material
		Polished
6183	.01	Stainless steel
		.33



Art.no.:6184 (perforated and countersunk)

with riveted pin

Article no.		
Series	Execution	Material
		Polished
6184	.01	Stainless steel
		.33

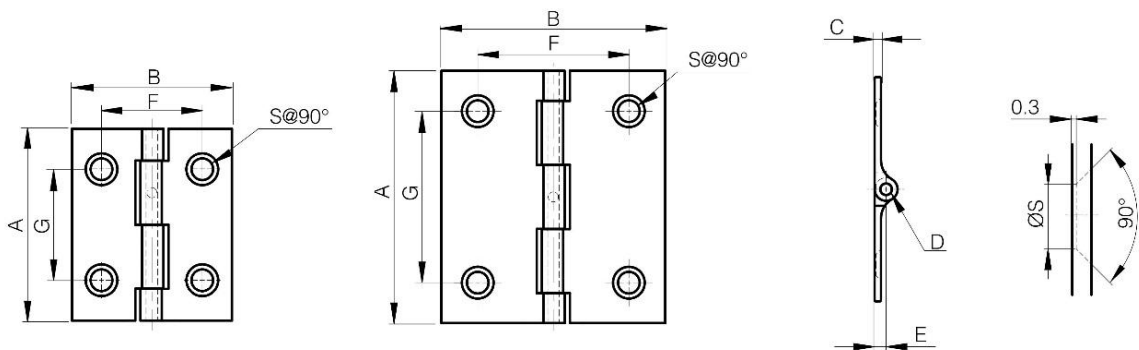


## Hinges

Art.no.: 6215 (perforated and countersunk)

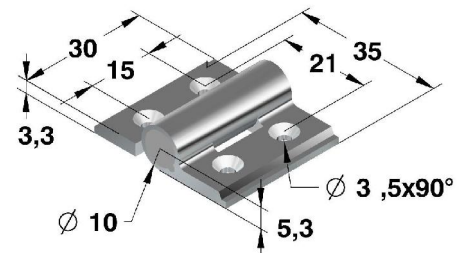


Article no.			Dimensions in mm							
Series	Execution	Material	A	B	C	D	E	F	G	S
		Aluminium 6082 T5 Anodized								
6215	.01	.71	38	31.75	1.3	2.29	2.29	20	22	4.3
6215	.02	.71	50	44.45	1.3	2.29	2.29	30	34	4.3
6215	.03	.71	63.5	63.5	1.3	2.29	2.29	40	40	6



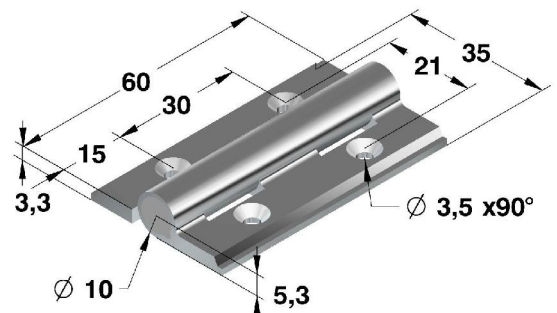
Art.no.: 6216 (perforated and countersunk)

Article no.				Dimensions in mm			
Series	Execution	Material		A	B	C	D
		Aluminium 6060 T5 Anodized					
		Colourless	Black				
6216	.01	.71	.77	30	35	3.3	8



Art.no.: 6216 (drilled and countersunk)

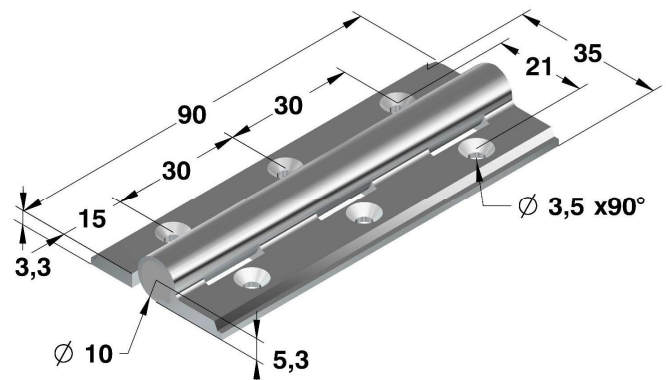
Article no.				Pin Ø
Series	Execution	Material		
		Aluminium 6060 T5 anodized		
		Colorless	Black	
6216	.02	.71	.77	8



## Hinges

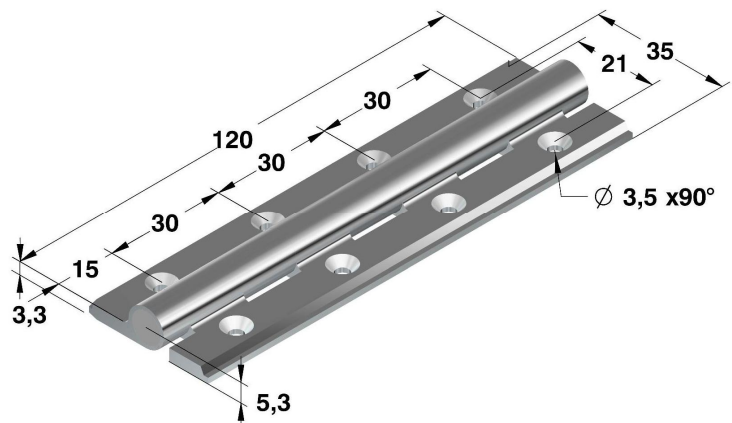
Art.no.: 6216 (drilled and countersunk)

Article no.				Pin Ø
Series	Execution	Material		
		Aluminium 6060 T5 anodized		
		Colorless	Black	
6216	.03	.71	.77	8



Art.no.: 6216 (drilled and countersunk)

Article no.				Pin Ø
Series	Execution	Material		
		Aluminium 6060 T5 anodized		
		Colorless	Black	
6216	.04	.71	.77	8

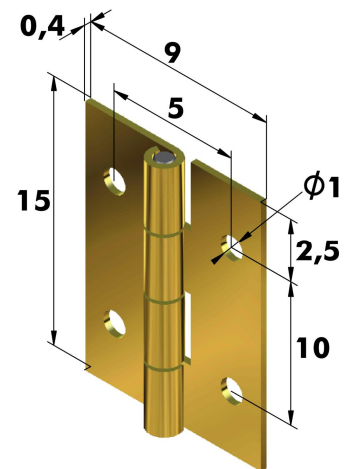


## Hinges

Art.no.: 6218 (perforated)

with steel pin

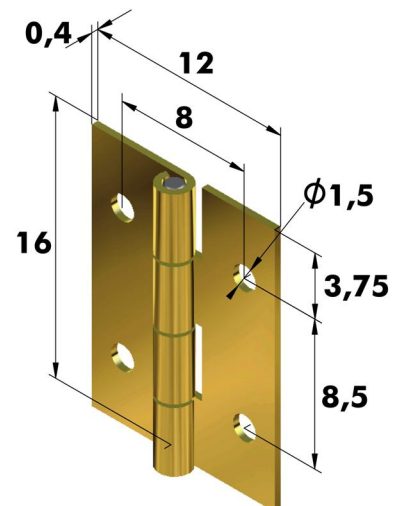
Article no.		Material
Series	Execution	Steel
6218	.01	brass-plated
		.02



Art.no.: 6218 (perforated)

with steel pin

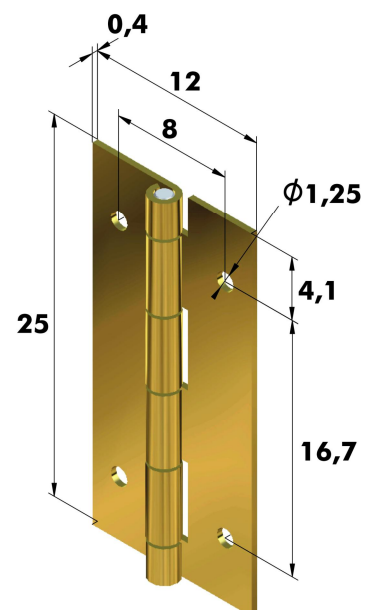
Article no.		Material
Series	Execution	Steel
6218	.02	brass-plated
		.02



Art.no.: 6218 (perforated)

with steel pin

Article no.		Material
Series	Execution	Steel
6218	.03	brass-plated
		.02

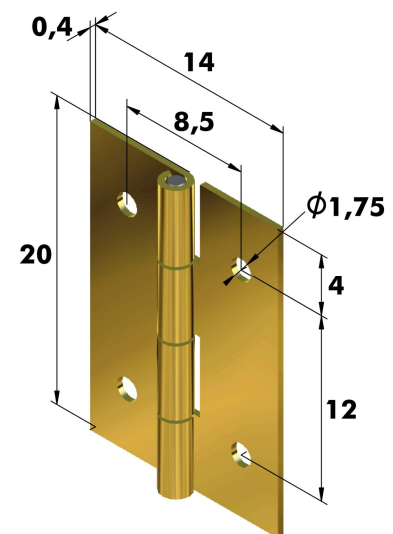


## Hinges

Art.no.: 6218 (perforated)

with steel pin

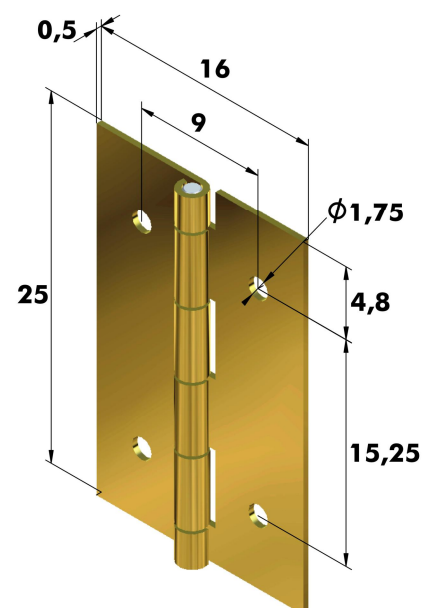
Article no.		
Series	Execution	Material
6218	.04	Steel
		brass-plated
		.02



Art.no.: 6218 (perforated)

with steel pin

Article no.		
Series	Execution	Material
6218	.05	Steel
		brass-plated
		.02



## Hinges

### Art. Nr.: 150. MH-30

(perforated and countersunk)

Double pivot hinge allows 180° opening

150.MH-30CR



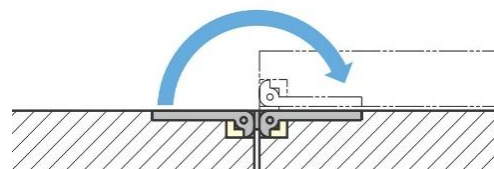
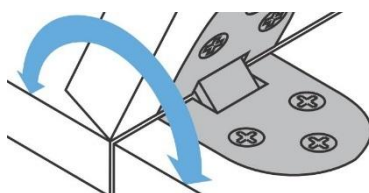
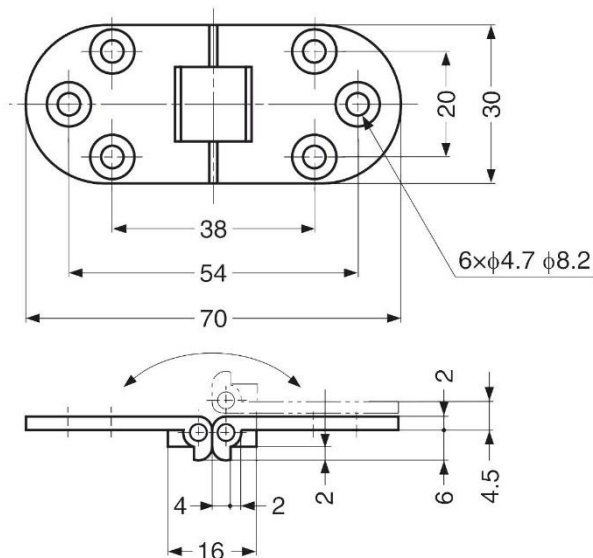
150.MH-30M



150.MH-30WB



Article no.			Door width	Door height	Door Thickness	Load Capacity N / Pair	Weight (g)
Series	Execution	Material Brass					
150. MH-30	M (Polished)	.22	Max. 450	Max. 700	Max. 21	29	45
150. MH-30	WB (White Bronze plating)	.25					
150. MH-30	CR (Chrom)	.23					





## Hinges

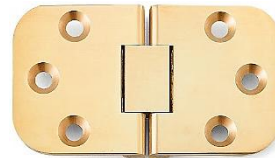
Art. Nr.: 150. MH-40 (perforated and countersunk)

Double pivot hinge allows 180° opening

150.MH-40CR



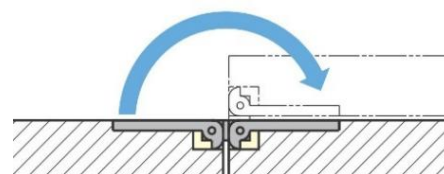
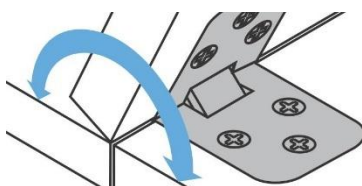
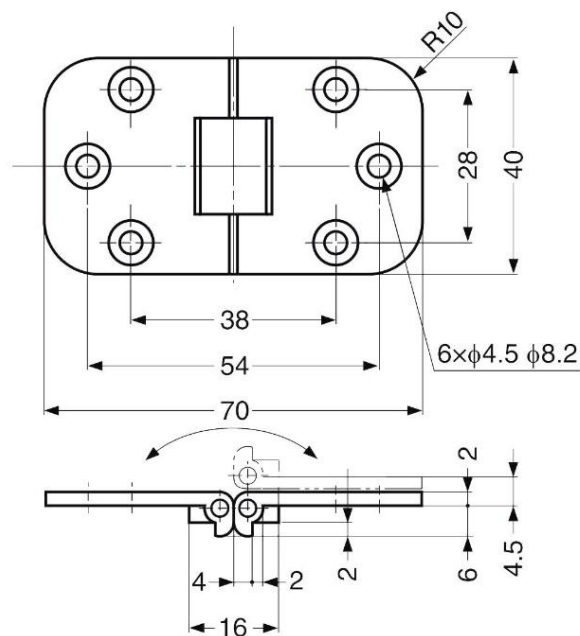
150.MH-40M



150.MH-40WB



Article no.			Door width	Door height	Door Thickness	Load capacity N / Pair	Weight (g)
Series	Execution	Material Brass					
150. MH-40	M (Polished)	.22	Max. 450	Max. 700	Max. 21	29	64
150. MH-40	WB (White Bronze plating)	.25					
150. MH-40	CR (Chrom)	.23					



## Hinges

---

---



Phone:  
Fax:  
Email:  
Homepage:

+49 (0) 231 / 725 790 -0  
+49 (0) 231 / 725 790 -10

[info@hokon-verschluss technik.de](mailto:info@hokon-verschluss technik.de)  
[www.hokon-verschluss technik.de](http://www.hokon-verschluss technik.de)