



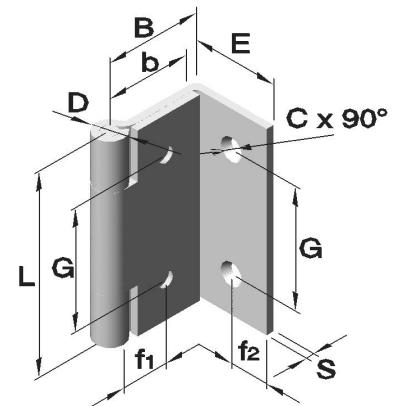
Cranked hinges



Cranked hinges

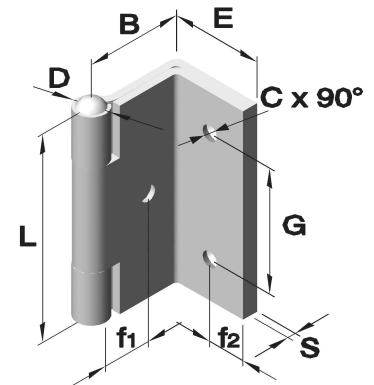
Art.no.:6030 (drilled and countersunk)
with strength stainless steel pin

Article no.			Dimensions in mm										
Series	Execution	Material	L	B	b	C Ø	D	E	f1	f2	G	S	Pin Ø
		Chrome plated											
		Brass											
6030	.01	.23	38	18,5	16,5	4	6	16,5	9	7	23	1,5	3



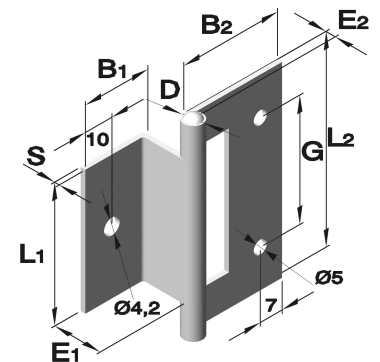
Art.no.:6031 (drilled and countersunk)
with strength stainless steel pin

Article no.			Dimensions in mm										
Series	Execution	Material	L	B	C Ø	D	E	f1	f2	G	S	Pin Ø	
		Chrome plated											
		Brass											
6031	.01	.23	38	18,5	4	6	16,5	9	7	23	1,5	3	



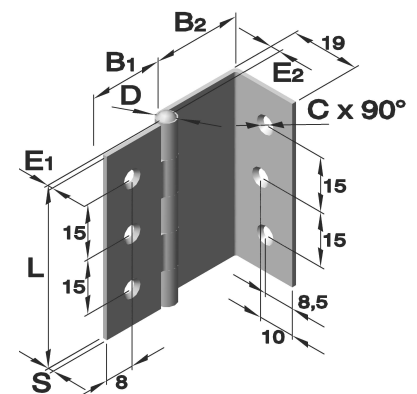
Art.no.:6031 (drilled)
with strength stainless steel pin

Article no.			Dimensions in mm										
Series	Execution	Material	L1	L2	B1	B2	D	E1	E2	G	S	Pin Ø	
		Shiny											
		Stainless steel											
6031	.02	.35	40	60	21,5	30	6	14,5	3	36	1,5	3	



Art.no.:6032 (drilled and countersunk)
with strength stainless steel pin

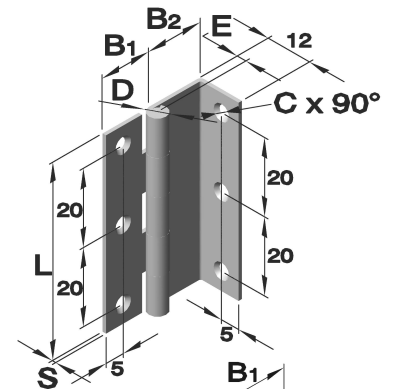
Article no.			Dimensions in mm										
Series	Execution	Material	L	B1	B2	C Ø	D	E1	E2	S	Pin Ø		
		Polished											
		Stainless steel											
6032	.01	.30	50	20,3	24,5	4,8	5,4	1,5	2,7	1,2	3		



Cranked hinges

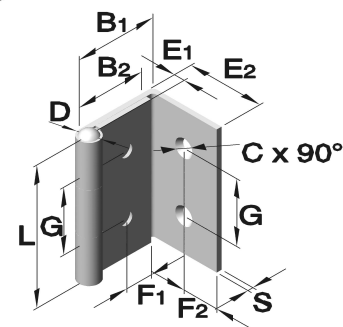
Art.no.:6033 (drilled and countersunk)
with strength stainless steel pin

Article no.			Dimensions in mm									
Series	Execution	Material	L	B	B2	C Ø	D	E	S	Pin Ø		
		Shiny Stainless steel										
6033	.01	.30	50	13,5	15	4	5	2.5	1	3		



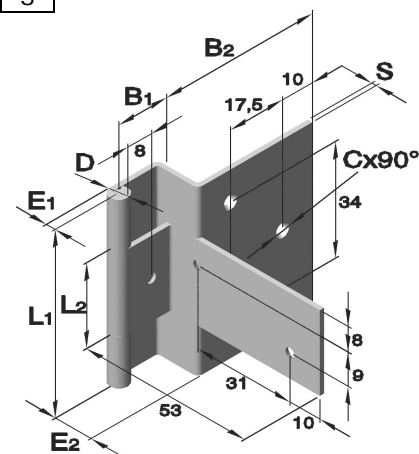
Art.no.:6034 (drilled and countersunk)
with pull-out stainless-steel pin

Article no.				Dimensions in mm											
Series	Execution	Material		L	B1	B2	C Ø	D	E1	E2	F1	F2	G	S	Pin Ø
		Chrome plated	Burnished												
		Stainless steel													
6034	.01	.03	.07	38	22,5	19	4,7	6	4	21	7,5	10	18	1,5	3
6034	.02	.03	-	38	23	19	4	6	3,5	17	7	8	26	1,5	3
6034	.03	.03	-	38	24,5	19	4,7	6	4	19	7,5	10	18	1,5	3



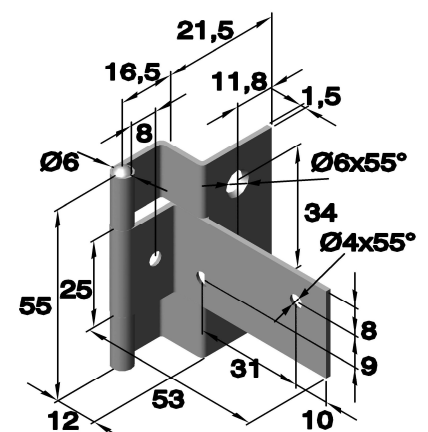
Art.no.:6035 (drilled and countersunk)
with pull out pin

Article no.			Dimensions in mm									
Series	Execution	Material	L1	L2	B1	B2	C Ø	D	E1	E2	S	Pin Ø
		Chrome plated										
		Steel										
6035	.02	.03	55	25	16,5	37,5	4,75	6	3	12	1,5	3



Art.no.:6037 (drilled and countersunk)
with pull out pin

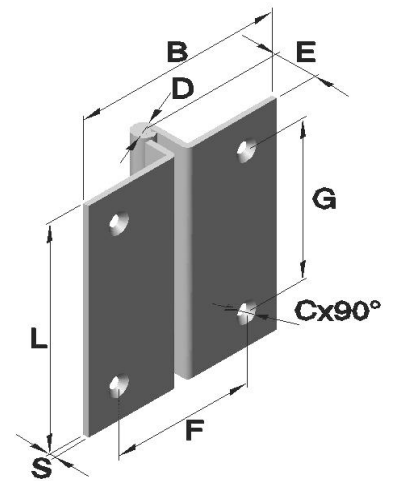
Article no.			
Series	Execution	Material	
		Brassed	Nickel
		Steel	Steel
6037	.01	.02	03



Cranked hinges

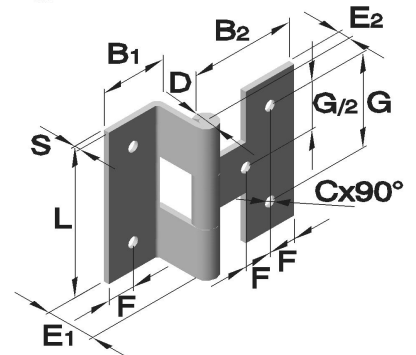
Art.no.:6037 (drilled and countersunk)
with pull out pin;

Article no.			Dimensions in mm									
Series	Execution	Material	L	B	C Ø	D	E	F	G	S	Pin Ø	
		Zinc plated										
6037	.03	Steel	60	56	5	6	10	38	42	1,5	3	



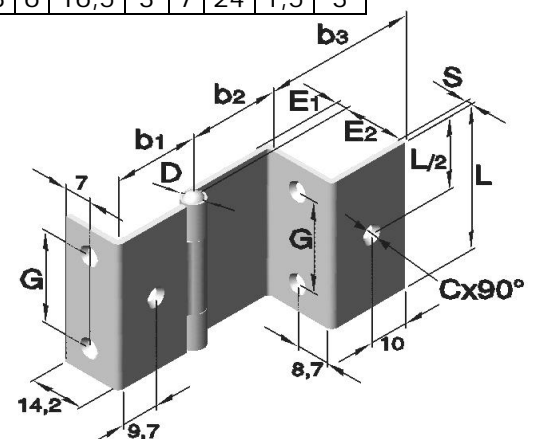
Art.no.:6038 (drilled and countersunk)
with strength stainless steel pin;

Article no.		Material				Dimensions in mm										
Series	Execution	Nickel	Chrome plated	Burnished	Raw	L	B1	B2	C Ø	D	E1	E2	F	G	S	Pin Ø
		Steel	Steel	Steel	Stainless steel											
6038	.01	.01	.03	.07	-	38	17	27	2,8	6	12,5	3	7	24	1,5	3
6038	.02	-	.03	-	-	38	17	27	2,8	6	8,5	3	7	24	1,5	3
6038	.03	-	-	-	.30	38	17	31	2,8	6	16,5	3	7	24	1,5	3



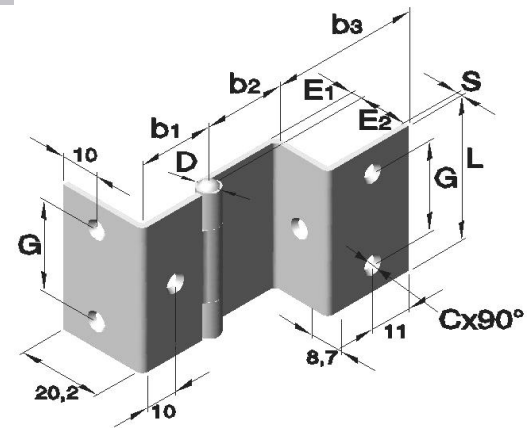
Art.no.:6041 (drilled and countersunk)
with pull out pin

Article no.		Material		Dimensions in mm											
Series	Execution	Chrome plated	Burnished	L	b1	b2	b3	C Ø	D	E1	E2	G	S	Pin Ø	
		Steel	Steel												
6041	.01	.03	.07	38	22,5	24	22	5,5	6	3	16	24	1,5	3	



Cranked hinges

Art.no.: 6042 (drilled and countersunk)
with pull out pin



Article no.			Dimensions in mm										
Series	Execution	Material	L	b1	b2	b3	C Ø	D	E1	E2	G	S	Pin Ø
		Chrome plated											
		Steel											
6042	.01	.03	38	20	21,5	24,5	5,5	6	3	13	24	1,5	3

Cranked hinges



Management
System
ISO 14001:2015
www.tuv.com
ID: 910824624