

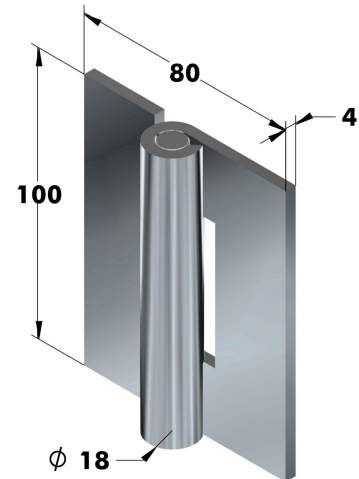


heavy hinges

Art.No.:99.10080

with fixed stainless steel pin

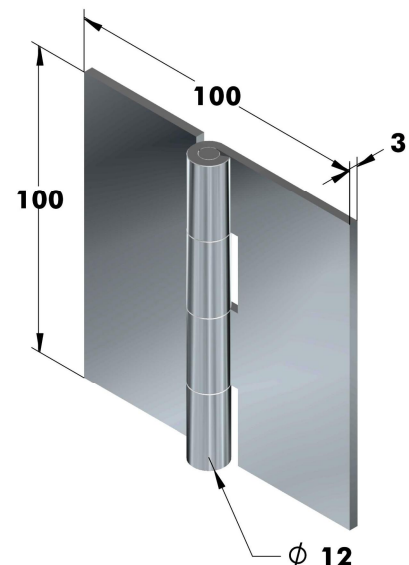
Article no.	
Series	Material
	Raw
99.10080	Stainless steel
	.30



Art.No.:99.1001003

with fixed stainless steel pin

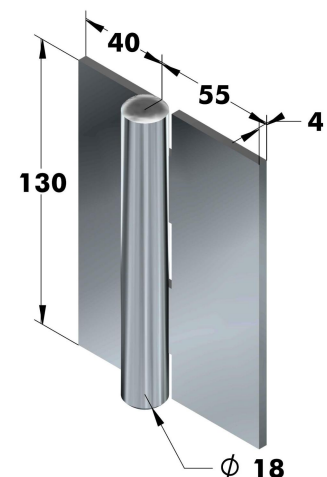
Article no.	
Series	Material
	Raw
99.1001003	Stainless steel
	.30



Art.No.:6054

with riveted stainless steel pin

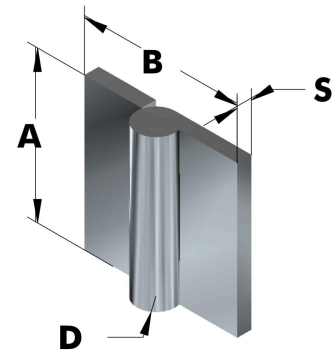
Article no.		
Series	Execution	Material
		Raw
6054	.03	Steel
		.00



heavy hinges

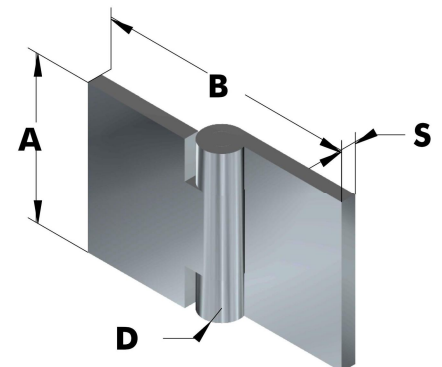
Art.No.:6059 Profile steel hinges
with riveted pin

Article no.				Dimensions in mm					
Series	Execution	Material		A	B	D	E	S	Pin Ø
		Raw	Raw						
		Steel	Stainless steel						
6059	.01	.00	-	32	32	8	4	3	4
6059	.02	.00	-	32	50	8	4	3	4
6059	.03	.00	.30	50	50	8	4	3	4
6059	.04	.00	-	50	80	8	4	3	4
6059	.05	.00	-	50	50	12	6	5	6
6059	.06	.00	.30	50	80	12	6	5	6
6059	.07	.00	-	50	100	8	4	3	4



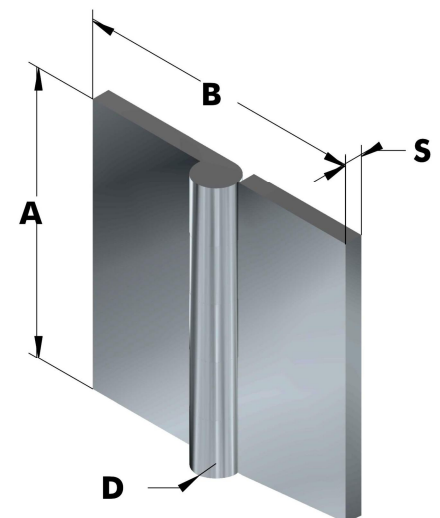
Art.No.:6060 Profile steel hinges
with riveted pin

Article no.				Dimensions in mm					
Series	Execution	Material		A	B	D	E	S	Pin Ø
		Raw	Raw						
		Steel	Stainless steel						
6060	.02	.00	-	32	50	8	4	3	4
6060	.03	.00	.30	50	50	8	4	3	4
6060	.04	-	.30	50	80	8	4	3	4
6060	.05	.00	-	50	50	12	6	5	6
6060	.06	.00	-	50	80	12	6	5	6



Art.No.:6061 Profile steel hinges
with riveted pin

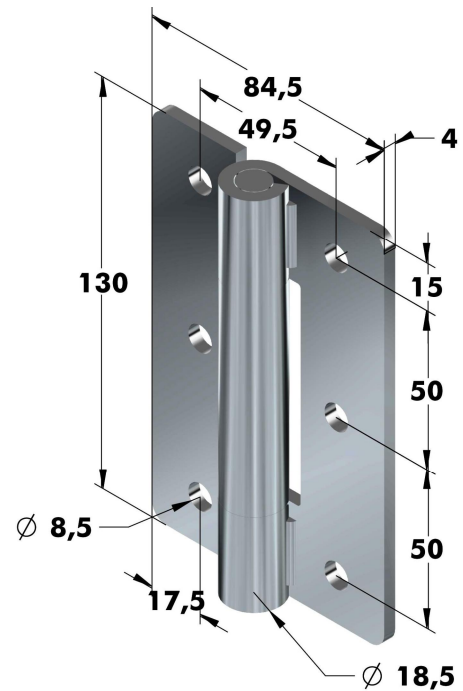
Article no.				Dimensions in mm					
Series	Execution	Material		A	B	D	E	S	Pin Ø
		Raw	Raw						
		Steel	Stainless steel						
6061	.01	.00	.30	80	80	12	6	5	6
6061	.02	.00	-	80	130	12	6	5	6
6061	.03	.00	-	125	80	12	6	5	6
6061	.04	.00	-	80	80	20	10	8	10
6061	.05	.00	-	80	130	20	10	8	10
6061	.06	.00	-	125	130	20	10	8	10
6061	.08	.00	-	160	130	20	10	8	10
6061	.09	.00	-	200	130	20	10	8	10



heavy hinges

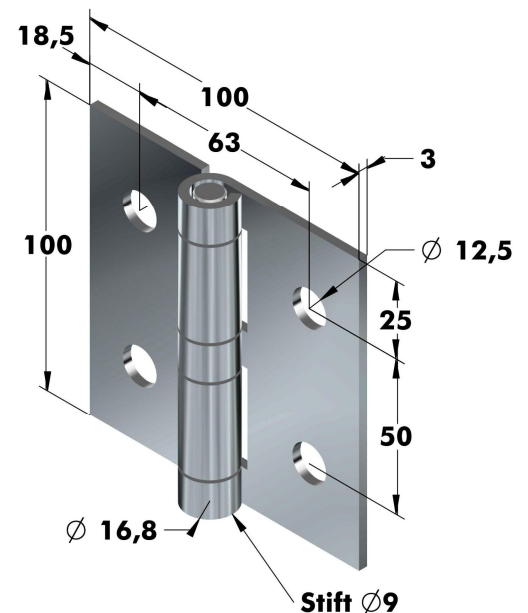
Art.No.: 99.2453 (perforated)
Knuckle and pin welded.

Article no.	
Series	Material
	Galvanized
	Steel
99.2453	.04



Art.No.: 2003278
Knuckle and pin welded.

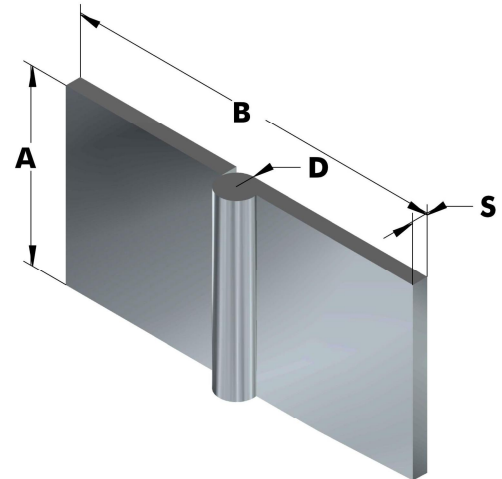
Article no.	
Series	Material
	Polished
	Stainless steel
2003278	



heavy hinges

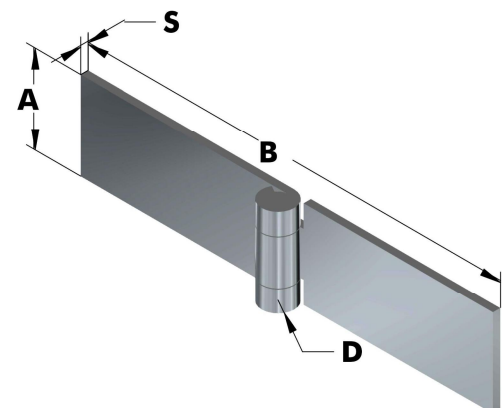
Art.No.:6024 Profile steel hinges
with extractable brass pin

Article no.			Dimensions in mm				
Series	Execution	Material	A	B	D	S	Pin Ø
		Raw					
		Stainless steel					
6024	.01	.30	60	120	12	5	6



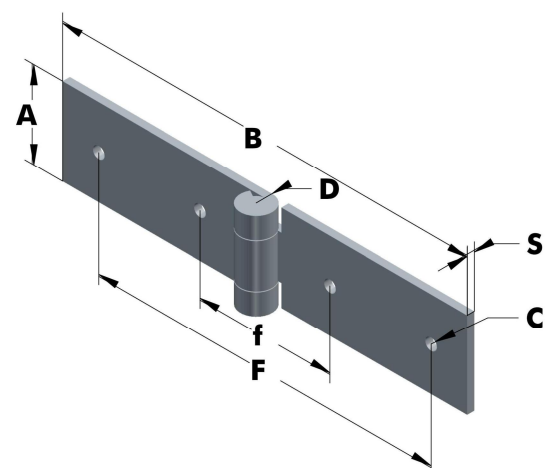
Art.No.:6012
with fixed pin, drills on enquiry

Article no.			Dimensions in mm				
Series	Execution	Material	A	B	D	S	Pin Ø
		Raw					
		Steel					
6012	.01	.00	30	140	11	2,5	6
6012	.03	.00	30	190	12	3	6



Art.No.:6014 (drilled and countersunk)
with fixed pin.

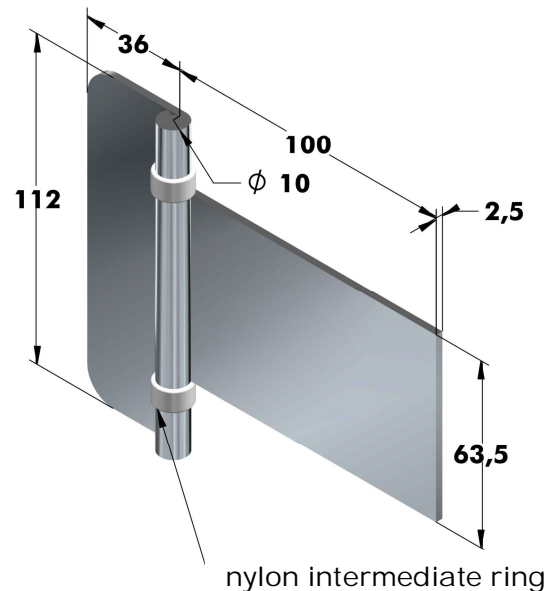
Article no.			Dimensions in mm							
Series	Execution	Material	A	B	C Ø	D	F	f	S	Pin Ø
		Galvanized Steel								
6014	.01	.04	30	140	4	11	115	45	2,5	6



heavy hinges

Art.No.:6050

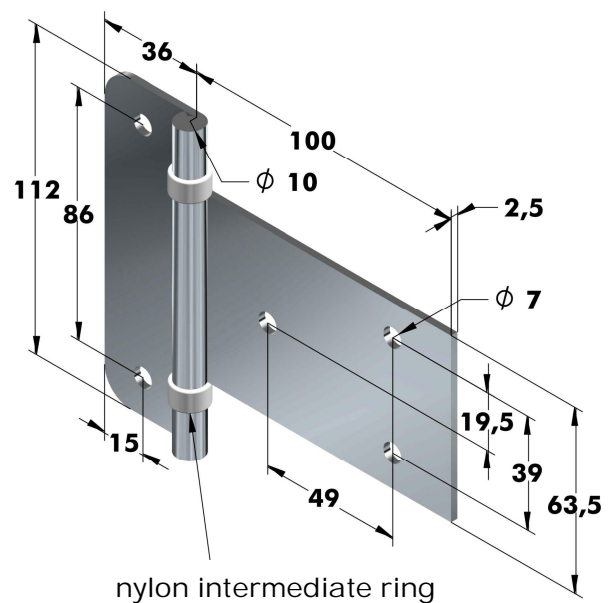
with extractable pin and nylon intermediate ring



Article no.			
Series	Execution	Material	
		Raw	
		Steel	Stainless steel
6050	.01	.00	.30

Art.No.:6050 (perforated)

with extractable pin and nylon intermediate ring

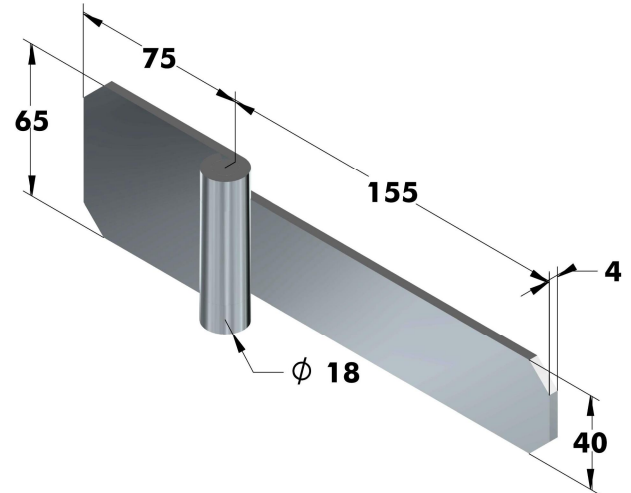


Article no.			
Series	Execution	Material	
		Raw	Stainless steel
6050	.02	.30	

heavy hinges

Art.No.:6054

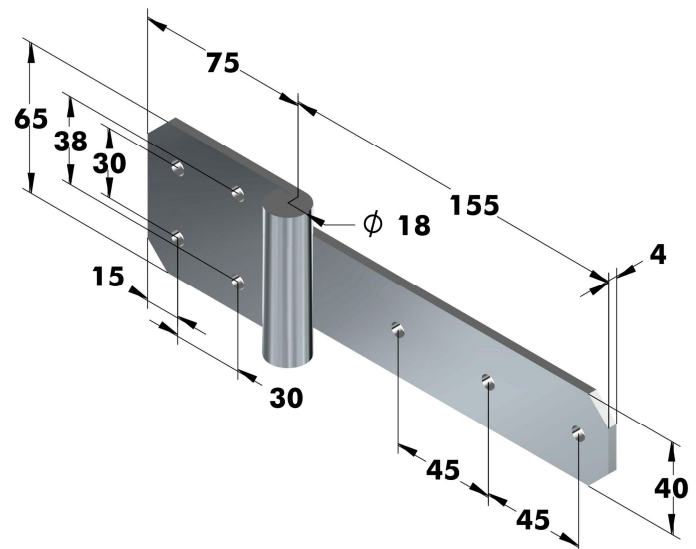
with fixed pin.



Article no.		Material	
Series	Execution	Polished	Raw
		Stainless steel	Steel
6054	.01	.33	-
6054	.01	-	.00

Art.No.:6054

with fixed pin., perforated

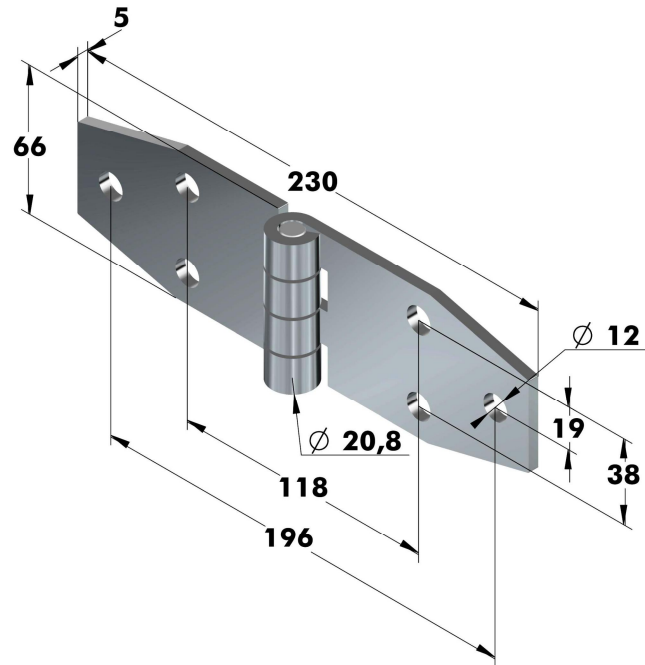


Article no.		Material	
Series	Execution	Polished	Stainless steel
		6054	.02

heavy hinges

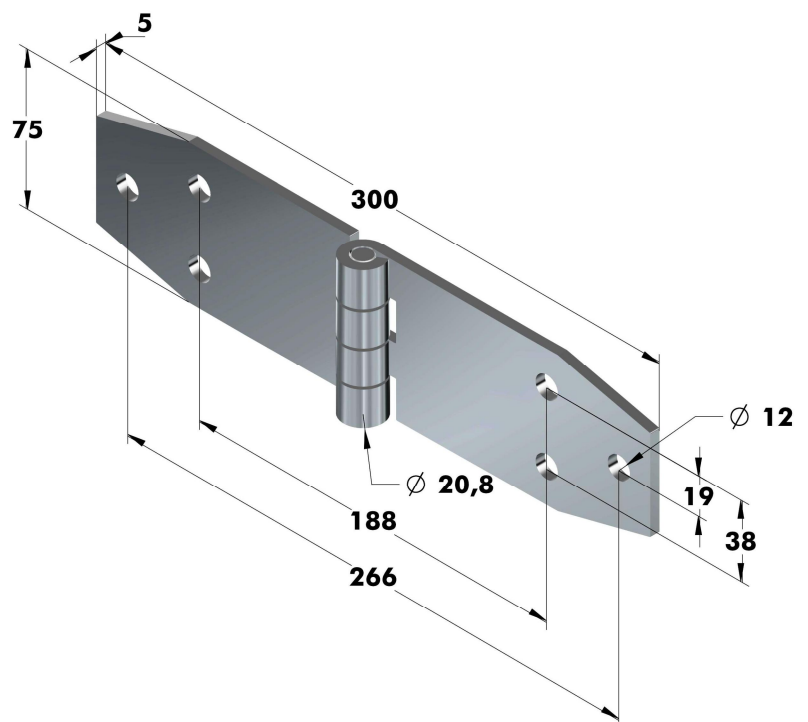
Art.No.: **6158** (perforated)
with fixed pin. (10mm)

Stainless steel (1.4301) on request



		Article no.	
Series	Execution	Material	
		Galvanized Steel	Polished Stainless steel
6158	.01	.04	.33

Art.No.: **99.12637** (perforated)
with fixed pin. (10mm)



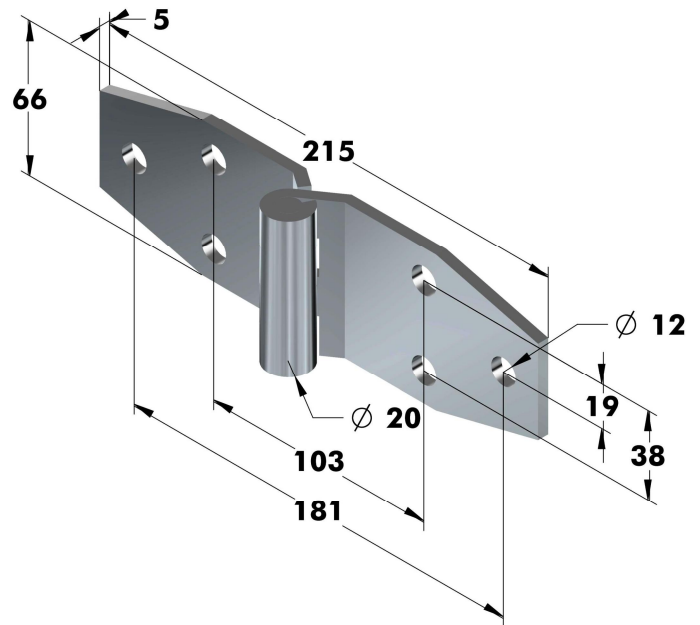
		Article no.	
Series	Execution	Material	
		Galvanized Steel	Polished Stainless steel
99.12637	.01	.04	.33

heavy hinges

Art.No.: **6158** (perforated)
with fixed pin. (10mm)

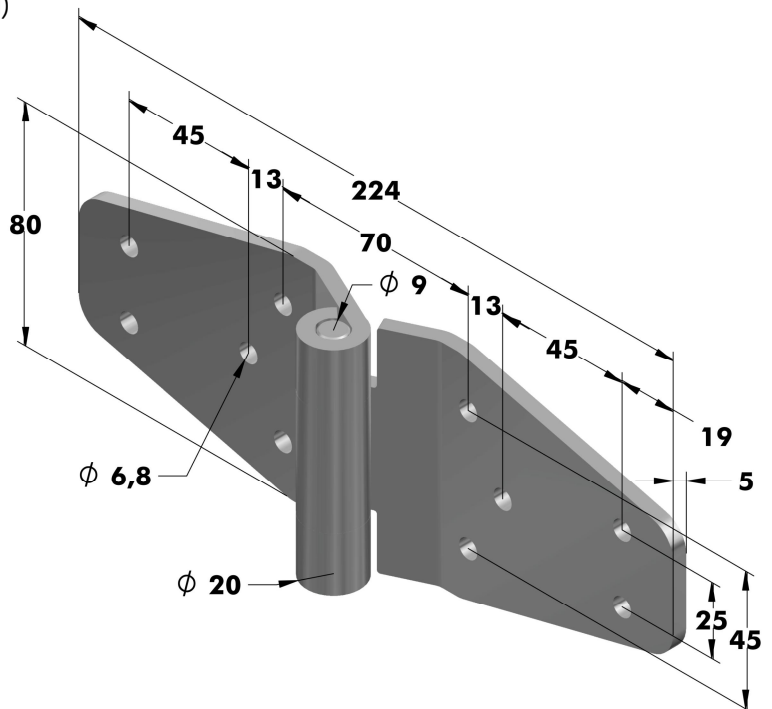
Stainless steel(1.4301) on request

Article no.			
Series	Execution	Material	
		Galvanized Steel	Polished Stainless steel
6158	.02	.04	.33



Art.No.: **99.40800B004** (perforated)
with rammed Stainless steel pin

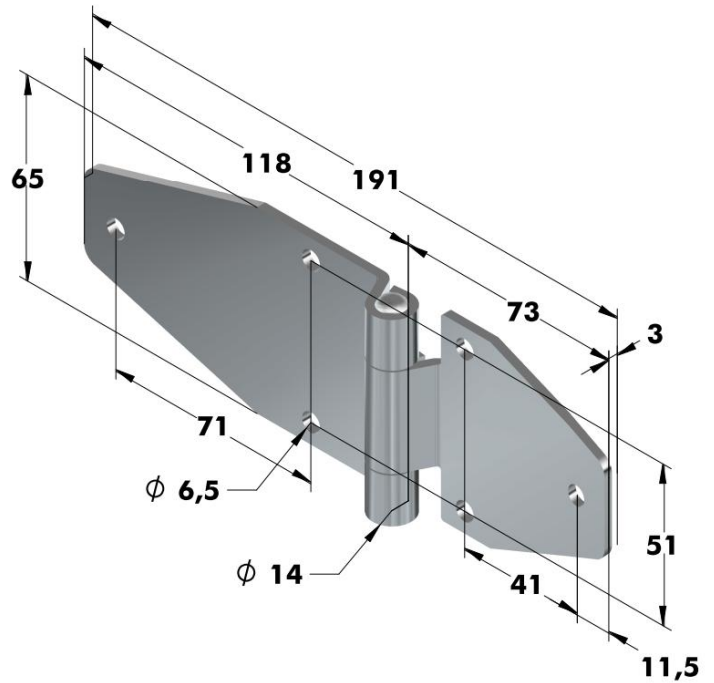
Article no.	
Series	Material
	Galvanized Steel
99.40800B004	.04/C



heavy hinges

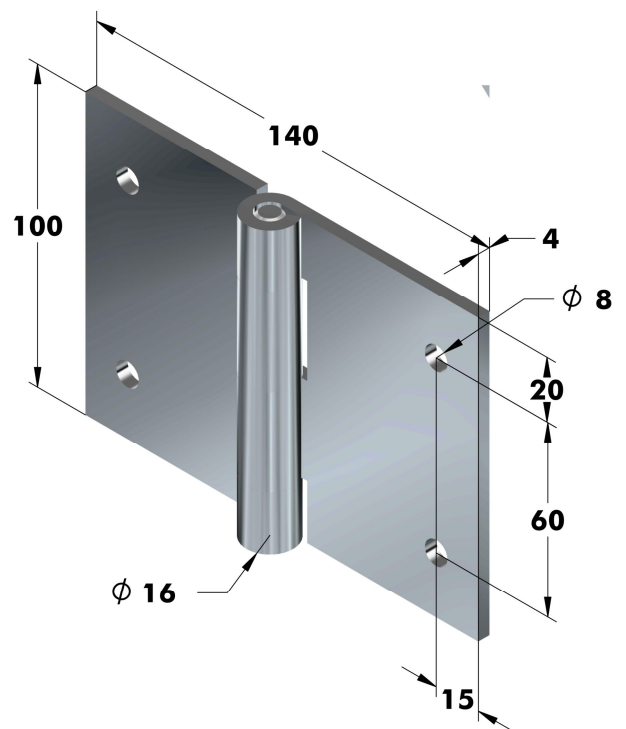
Art.No.: 196.3.ST35 (perforated)

Article no.		
Series	Material	
	Galvanized Steel	Polished Stainless steel
196.3.ST35.001	.04	.30



Art.No.: 99.1001404.00 (perforated)
with fixed steel pin

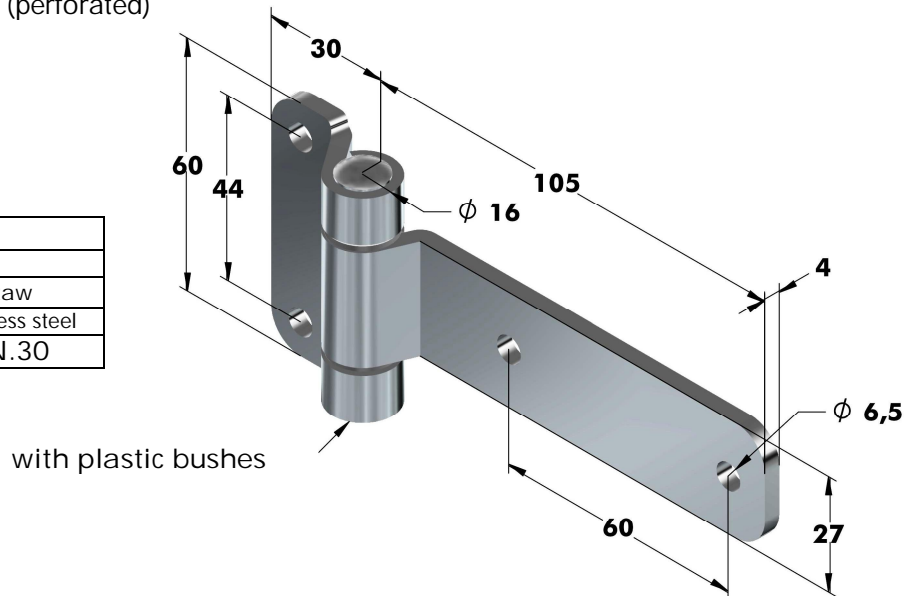
Article no.	
Series	Material
	Raw Steel
99.1001404	.00



heavy hinges

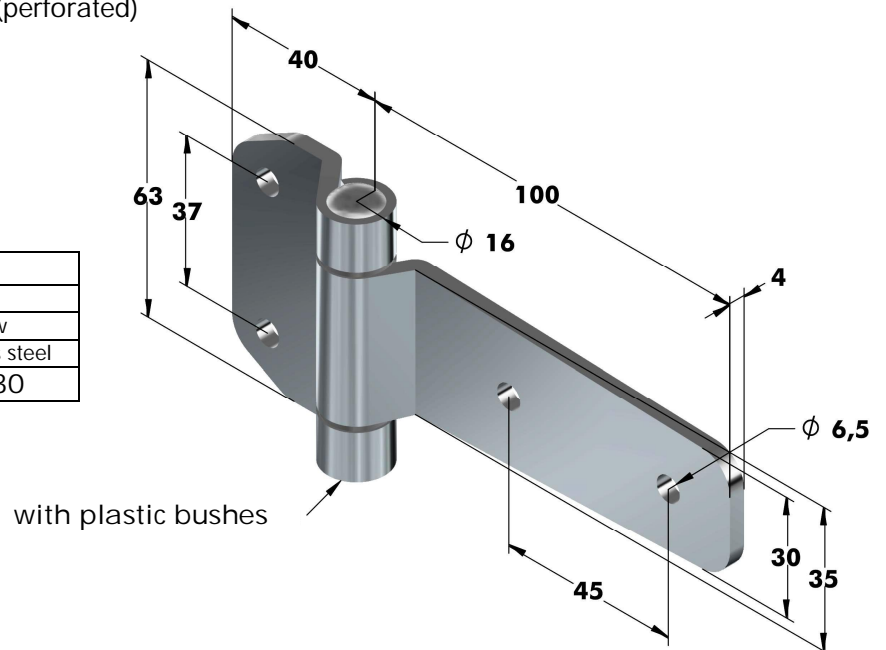
Art.No.: 196.3.ST56.001 (perforated)

Article no.		
Series	Material	
	Black Steel	Raw Stainless steel
196.3.ST56.001	.07	SN.30



Art.No.: 196.3.ST56.100. (perforated)

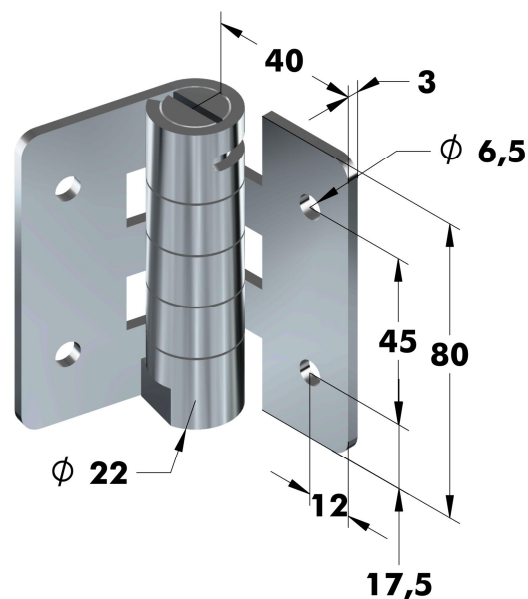
Article no.		
Series	Material	
	Black Steel	Raw Stainless steel
196.3.ST56.100	.07	SN.30



heavy hinges

Art.No. 6877.01.30 (perforated)

Soft-Closing Hinge
Opens and closes damped
Function until 115° guaranteed
Torque per pair: 2,2 to 3,0 N.m

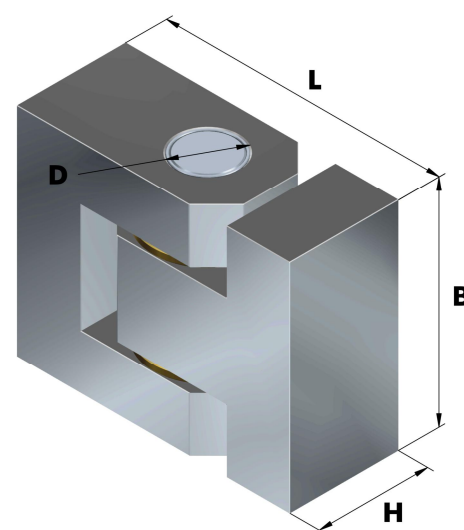


		Article no.	
Series	Execution	Material	
		Raw	Stainless steel
6877	.01	.30	.30

Welded joints „AG “ with fixed steel pin

FES on self-lubricating bushes and with brass intermediate ring.

Article no.					Dimensions in mm			
Series	L	Execution	Material		B	H	D	Load capacity ca. in kg
			Steel	Stainless steel				
AG	60	FES	.00	.30	50	20	10	1000
AG	70	FES	.00	.30	60	25	12	4000
AG	80	FES	.00	.30	60	30	15	5000
AG	100	FES	.00	.30	80	40	20	9000
AG	120	FES	.00	.30	100	50	25	10000
AG	140	FES	.00	.30	120	60	30	10000+

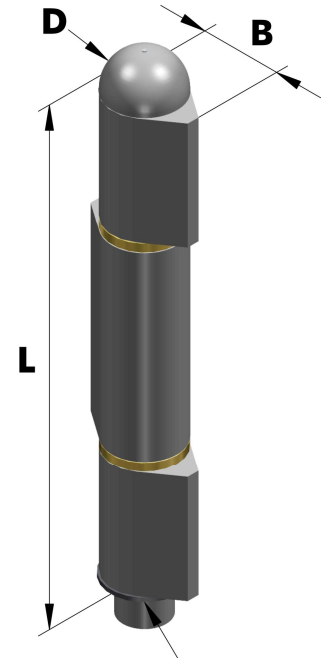


heavy hinges

Weld on hinge rolls „AB “ 3-part

AES with extractable steel pin and brass intermediate ring
AMS with extractable brass pin and brass intermediate ring

Article no.				Dimensions in mm				
Series	L	Execution		Material	D	B	Pin Ø	Load capacity ca. in kg
				Raw				
				Steel				
AB	135/3	AES	AMS	.00	18	22,5	12	790
AB	150/3	AES	AMS	.00	20	25,5	13	960
AB	180/3	AES	AMS	.00	20	25,5	13	1300
AB	200/3	AES	AMS	.00	23	29	16	2000

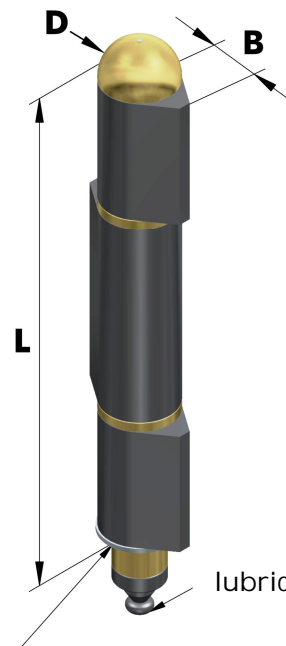


safety washer

Weld on hinge rolls „AB “ 3-part

AVS with extractable stainless steel pin and brass intermediate ring

Article no.				Dimensions in mm				
Series	L	Execution		Material	D	B	Pin	Load
				Raw				
				Stainless steel (V2A)				
AB	135/3	AVS		.30	18	22,5	12	790
AB	150/3	AVS		.30	20	25,5	13	960
AB	180/3	AVS		.30	20	25,5	13	1300



lubrication nipples

safety washer

Weld on hinge rolls „ABN “ 3-part

AMS with extractable brass pin and brass intermediate ring

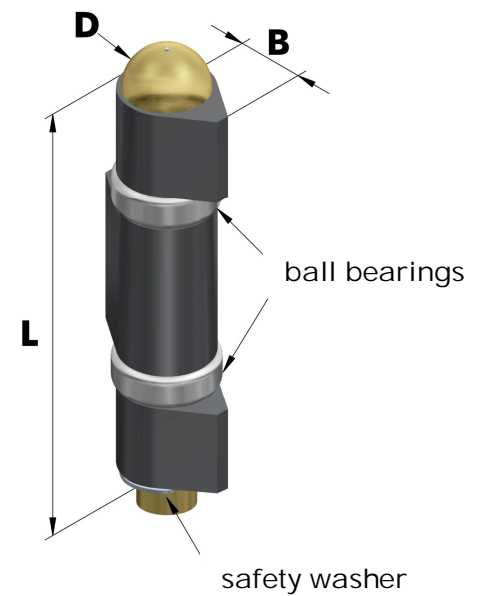
Article no.				Dimensions in mm				
Series	L	Execution		Material	D	B	Pin Ø	Load capacity ca. in kg
				Raw				
				Steel				
ABN	135/3	AMS		.00	18	22,5	12	790
ABN	150/3	AMS		.00	20	25,5	13	960
ABN	180/3	AMS		.00	20	25,5	13	1300
ABN	200/3	AMS		.00	23	29	16	2000

heavy hinges

Weld on hinge rolls „AB “ 3-part with 2 ball bearings

AES with extractable steel pin and 2 ball bearings

AMS with extractable brass pin and 2 ball bearings



Article no.					Dimensions in mm			
Series	L	Execution		Material	D	B	Pin Ø	ca.kg
				Raw Steel				
AB	90/3	AES	AMS	.00	20	25,5	12	900
AB	110/3	AES	AMS	.00	23	29	13	1000

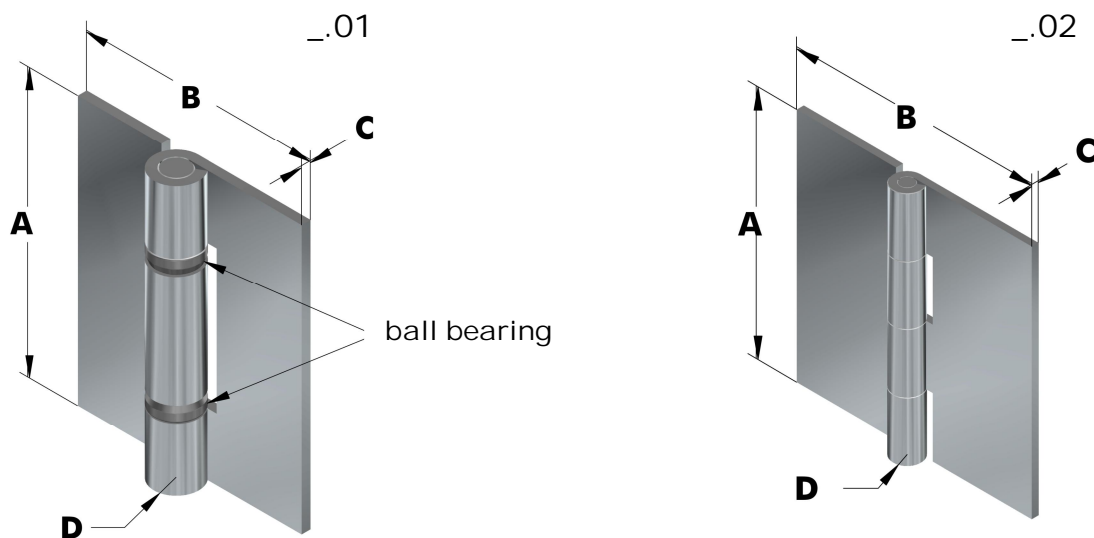
heavy hinges

Hinge as required „with“ or „without“ ball bearing

Art.No.:99.

„with“ or „without“ ball bearing

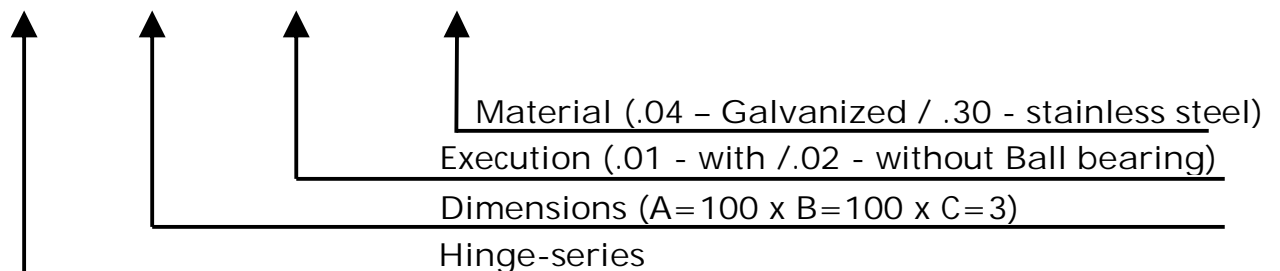
(as required perforated)



Article no.								
Series	A	B	C	D	Execution		Material	
					Ball bearing		Raw	Polished
					with	without	Stainless steel	Stainless steel
99.	from 60-300	from 60-150	from 3-5	from 12-20	.01	.02	.30	.33

Ordering example:

Art.No: 99. 1001003 .01 / .02 .04 / .30



heavy hinges

Art. no.: 150. HG-KM (perforated)

Ultra thick „lift-off“ hinge for heavy doors.

Thrust bearing in movable part provides smooth movement.

Large doors, gate doors and other rotation mechanism of heavy objects



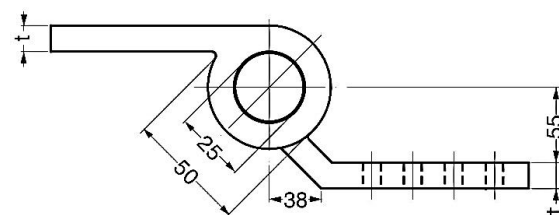
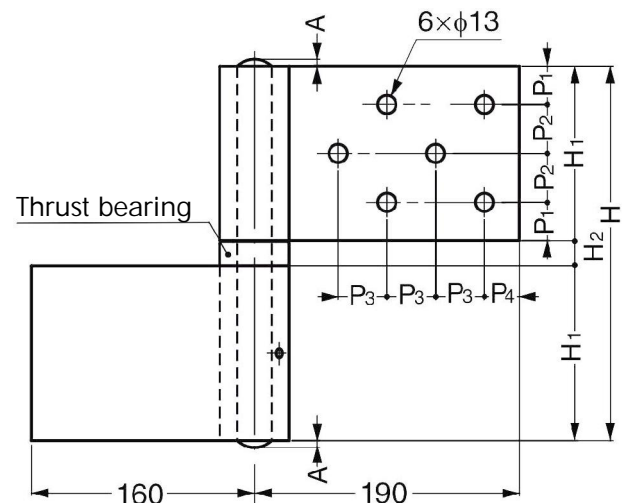
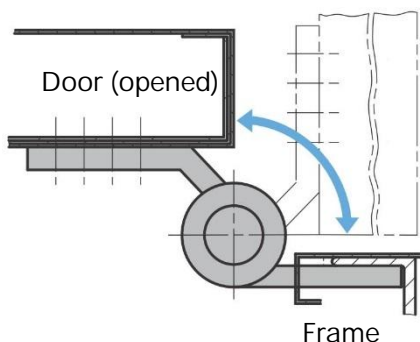
Article no.			H	H 1	H 2	P 1	P 2	P 3	P 4	A	t	Load capacity N / Pair
Series	Execution	Material										
		Satin										
150. HG-KM	12-268	.32	268	125	18	27.5	35	35	25	5	12	2940
150. HG-KM	19-275	.32	275		25			30				
150. ✱HG-KM	20-250	.32	250	114	22	28	29	25	23	10	20	4610

Article no.			Weight (kg)
Series	Execution	Material	
		Satin	
150. HG-KM	12-268	.32	8.3
150. HG-KM	19-275	.32	19.8
150. ✱HG-KM	20-250	.32	18.1

✱On request

[Installation]

Door (closed)



150.HG-KM19-275, 150.HG-KM20-250

heavy hinges

Art. no.: 150. HG-KH (perforated)

Ultra thick „lift-off“ hinge for heavy doors.

Thrust bearing in movable part provides smooth movement.

Large doors, gate doors and other rotation mechanism of heavy objects

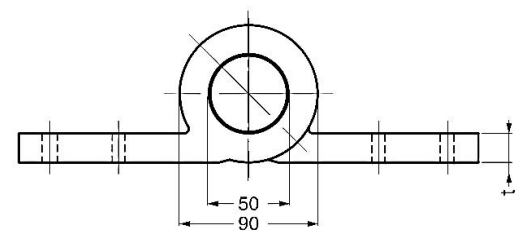
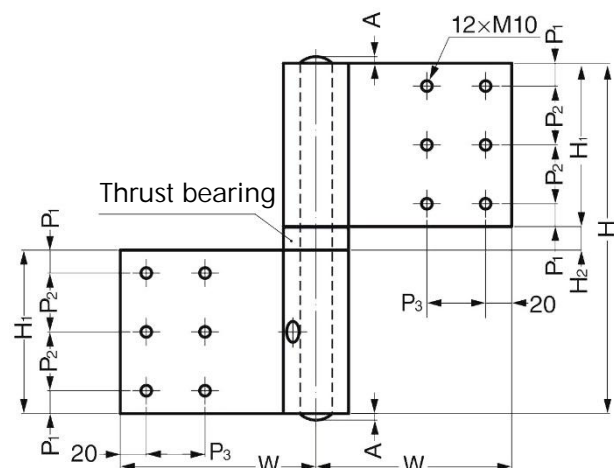
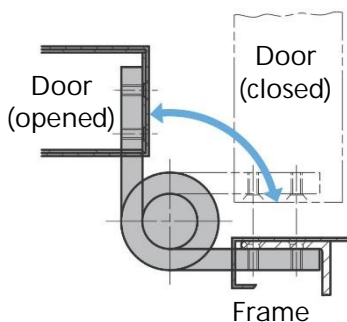


Article no.			H	H 1	H 2	W	P 1	P 2	P 3	A	t	Load capacity N / Paar
Series	Execution	Material										
		Satin										
		Stainless steel										
150. HG-KH	12-268	.32	268	125	18	150	17.5	45	45	5	12	2940
150. HG-KH	19-275	.32	275		25					10	19	4810
150. ✱HG-KH	20-250	.32	250	114	22	140	17	40	40		20	4610

Article no.			Weight (kg)
Series	Execution	Material	
		Satin	
		Stainless steel	
150. HG-KH	12-268	.32	7.4
150. HG-KH	19-275	.32	17.2
150. ✱HG-KH	20-250	.32	16.6

✱On request

[Installation]



150.HG-KH19-275, 150.HG-KH20-250