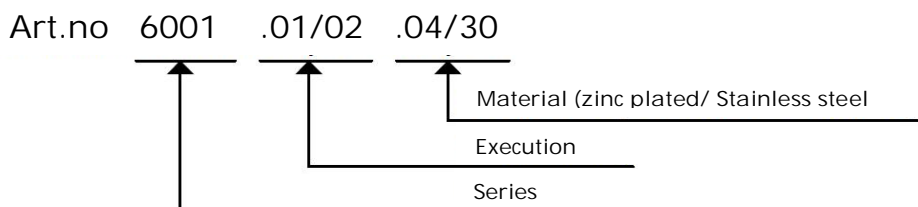
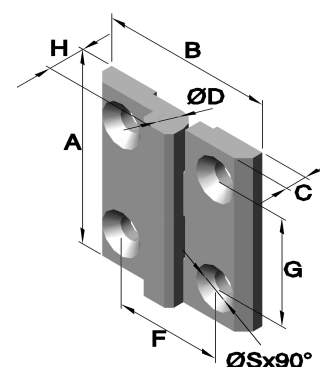


Plastic hinges hinges made of polyamide

Ordering example:

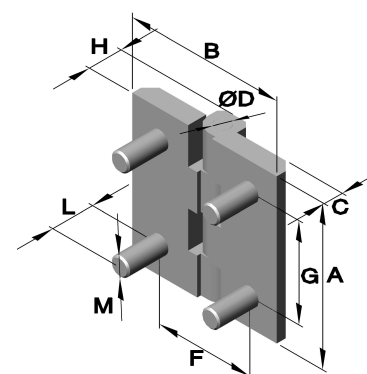


Art. no.: 6550 (drilled and countersunk)
with stainless steel pin



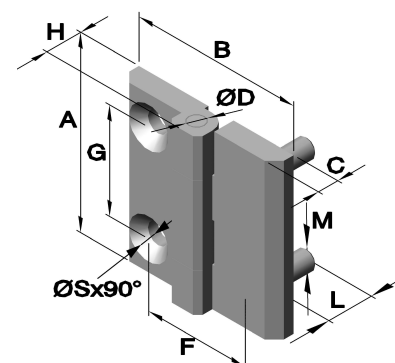
Article no.		Material	Dimensions in mm							
Series	Execution		A	B	C	Ø D	F	G	H	Ø Pin
6550	.01	Polyamide	40	40	5	4	25	25	9	5,3
6550	.02	Polyamide	50	50	6	6	30	30	11,5	6,4

Art. no.: 6551
with stainless steel pin and threaded bolts



Article no.		Material	Dimensions in mm								
Series	Execution		A	B	C	Ø D	F	G	H	L	M
6551	.01	Polyamide	40	40	5	4	25	25	9	11	M5
6551	.02	Polyamide	50	50	6	6	30	30	11,5	15	M6

Art. no.: 6552 (drilled and countersunk)
with stainless steel pin and threaded bolt

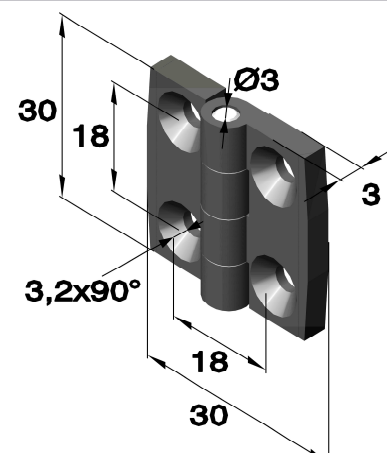


Article no.		Material	Dimensions in mm									
Series	Execution		A	B	C	Ø D	F	G	H	L	M	Ø Pin
6552	.01	Polyamide	40	40	5	4	25	25	9	11	M5	5,3
6552	.02	Polyamide	50	50	6	6	30	30	11,5	15	M6	6,4

Plastic hinges hinges made of polyamide

Art. no.: 6530 (drilled and countersunk)
with stainless steel pin

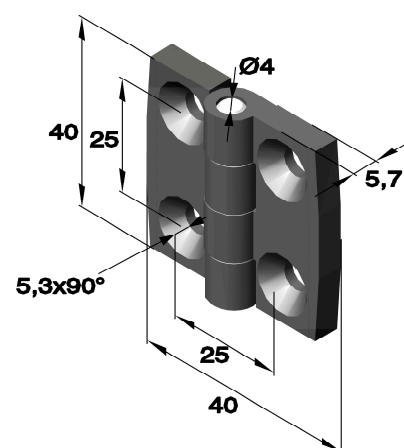
Material and surface:
30 % glas fibre polyamide
UL 94 V-0 classification



Article no.		
Series	Execution	Material
		Black
6530	.01	Polyamide
		.80

Art. no.: 6530 (drilled and countersunk)
with stainless steel pin

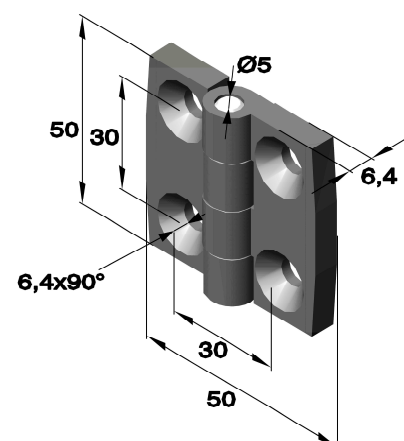
Material and surface:
30 % glas fibre polyamide
UL 94 V-0 classification



Article no.		
Series	Execution	Material
		Black
6530	.02	Polyamide
		.80

Art. no.: 6530 (drilled and countersunk)
with stainless steel pin

Material and surface:
30 % glas fibre polyamide
UL 94 V-0 classification

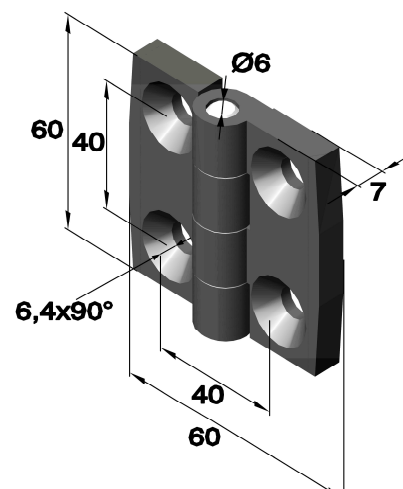


Article no.		
Series	Execution	Material
		Black
6530	.03	Polyamide
		.80

Plastic hinges hinges made of polyamide

Art. no.: 6530 (drilled and countersunk)
with stainless steel pin

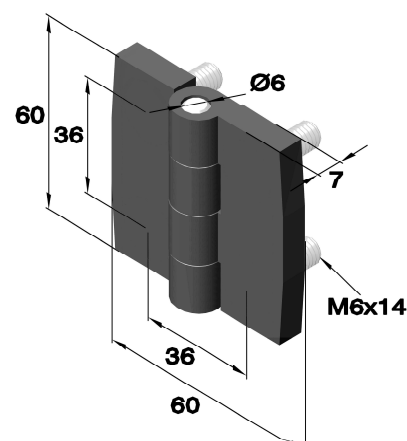
Material and surface:
30 % glas fibre polyamide
UL 94 V-0 classification



Article no.		
Series	Execution	Material
		Black
6530	.04	Polyamide
		.80

Art. no.: 6560
with stainless steel pin and threaded bolt

Material and surface:
30 % glas fibre polyamide
UL 94 V-0 classification



Article no.		
Series	Execution	Material
		Black
6560	.01	Polyamide
		.80

Plastic hinges hinges made of polyamide

Plastic hinges in rolls of 15,25 m

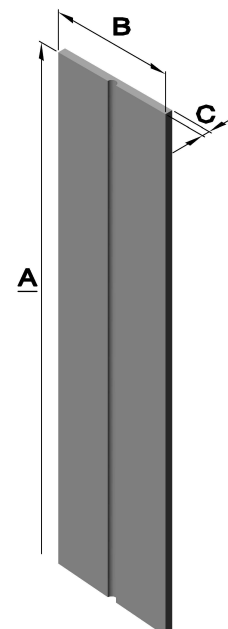
Technical information:

Temperature: - 40° C up to + 80°C.

Fixation with rivets, pins, nails and bars.

Chemical resistance: oil, seawater, solvents and most chemical substances.

Article no.				Material	Dimensions in mm		
Series	Colour				A	B	C
	White	Grey	Black				
6521	.01	.02	.03	Polypropylene	15250	28,6	3,2
6522	.01	.02	.03	Polypropylene	15250	38,1	3,2
6523	.01	.02	.03	Polypropylene	15250	50,8	3,2
6524	.01	.02	.03	Polypropylene	15250	76,2	3,2



Art.no.:6525 (drilled and countersunk)

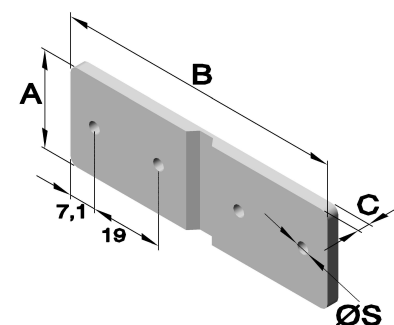
Technical information:

Temperature: - 40° C up to + 80°C.

Fixation with rivets, pins, nails and bars

Chemical resistance: oil, seawater, solvents and the most chemical substances.

Article no.			Material	Dimensions in mm			
Series	Colour			A	B	C	Ø S
	White	Black					
6525	.01	.03	Polypropylene	25,4	76,2	3,2	3,2



Art.no.:6526 (drilled and countersunk)

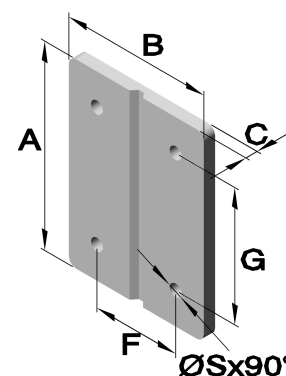
Technical information:

Temperature: - 40° C up to + 80°C.

Fixation with rivets, pins, nails and bars.

Chemical resistance: oil, seawater, solvents and the most chemical substances.

Article no.			Materials	Dimensions in mm					
Series	Colour			A	B	C	F	G	Ø S
	White	Black							
6526	.01	.03	Polypropylene	50,8	38,1	3,17	22,2	33,3	3,43



Plastic hinges hinges made of polyamide

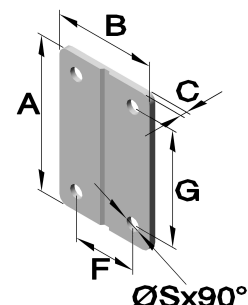
Art.no.:6527 (drilled and countersunk)

Technical information:

Temperature: - 40° C up to + 80°C.

Fixation with rivets, pins, nails and bars.

Chemical resistance: oil, seawater, solvents and the most chemical substances.



Article no.			Material	Dimensions in mm					
Series	Colour			A	B	C	F	G	Ø S
		White	Black						
6527	.01	.03	Polypropylene	38,1	25,4	2	15,9	28,6	3,43

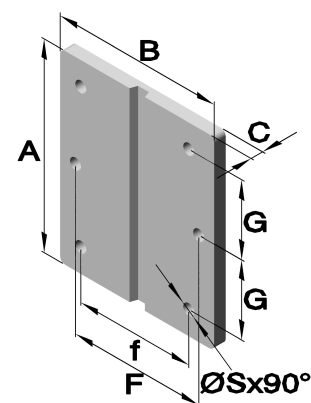
Art.no.:6528

Technical information:

Temperature: - 40° C up to + 80°C.

Fixation with rivets, pins, nails and bars.

Chemical resistance: oil, seawater, solvents and the most chemical substances.



Article no.			Material	Dimensions in mm						
Series	Colour			A	B	C	F	f	G	Ø S
		White	Black							
6528	.01	.03	Polypropylene	76,2	63,5	4,76	50,8	44,4	57,1	4,65

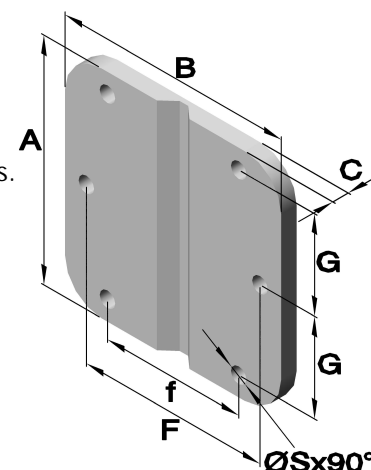
Art.nr.:6529 (drilled and countersunk)

Technical information:

Temperature: - 40° C up to + 80°C.

Fixation with rivets, pins, nails and bars.

Chemical resistance: oil, seawater, solvents and the most chemical substances.



Article no.			Material	Dimensions in mm						
Series	Colour			A	B	C	F	f	G	Ø S
		White	Black							
6529	.01	.03	Polypropylene	88,9	88,9	6,35	71,4	54	36,5	6

Plastic hinges hinges made of polyamide

Art. no.: 6531 (drilled and countersunk)

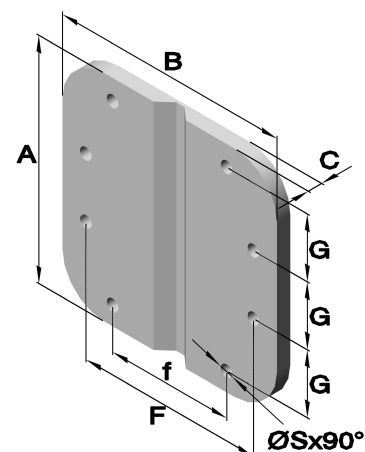
Technical information:

Temperature: - 40° C up to + 80°C.

Fixation with rivets, pins, nails and bars.

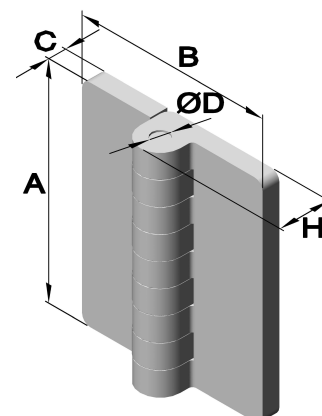
Chemical resistance: oil, seawater, solvents and most chemical substances.

Article no.		Material		Dimensions in mm						
Series	Colour		A	B	C	F	f	G	Ø Pin	
	White	Black								
6531	.01	.03	Polypropylene	101,6	101,6	6,35	79,4	54	27,8	8



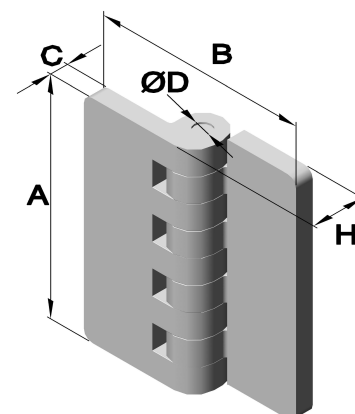
Art. no.: 6532

Article no.				Material	Dimensions in mm				
Series	Colour				A	B	C	Ø D	H
	White	Grey	Black	Transparent					
6532	.01	-	.02	-	63,5	54	5	3,2	14,6
6532	-	-	-	.05	63,5	54	5	3,2	14,6



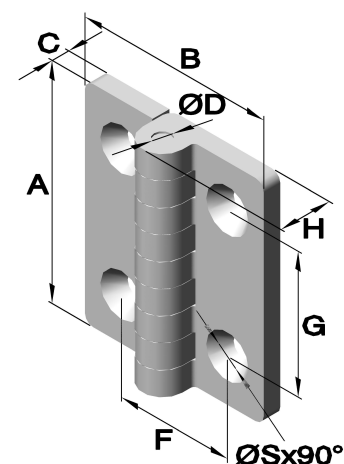
Art. no.: 6534

Article no.				Material	Dimensions in mm				
Series	Colour				A	B	C	Ø D	H
	White	Grey	Black	Transparent					
6534	.01	-	.02	-	63,5	54	5	3,2	14,6
6534	-	-	-	.05	63,5	54	5	3,2	14,6



Plastic hinges hinges made of polyamide

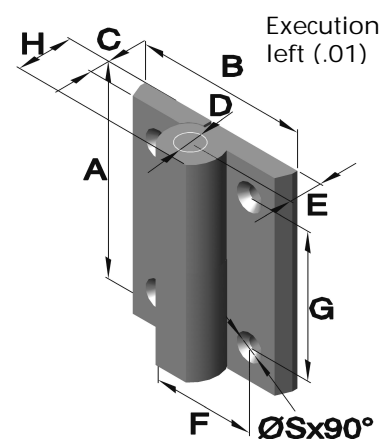
Art. no.: 6535 (drilled and countersunk)



Article no.			Dimensions in mm							
Series	Colour	Material	A	B	C	Ø D	F	G	H	Ø Pin
6535	Nature	Polyethylene	63,5	54	5	3,2	32	38,1	14,6	6,2

Art. no.: 6124 (drilled and countersunk)
with stainless steel pin without intermediate ring,

Left completion (.01) is inverse to right completion (.02).
Maximum load: 40kg



Article no.		Material	Dimensions in mm									
Series	Execution		A	B	C	Ø D	E	F	G	H	Ø Pin	
6124	.01	.02	.80	74	60	7	9,5	11,5	36	51	5	5

Plastic hinges

hinges made of polyamide



Phone:
Fax:
Email:
Homepage:

+49 (0) 231 / 725 790 -0
+49 (0) 231 / 725 790 -10
info@hokon-verschluss technik.de
www.hokon-verschluss technik.de