



Weld on hinges

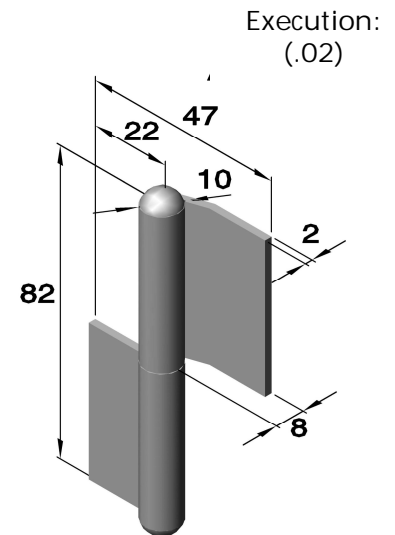


Weld on hinges

Art. no.: 6071

with fixed steel bolt

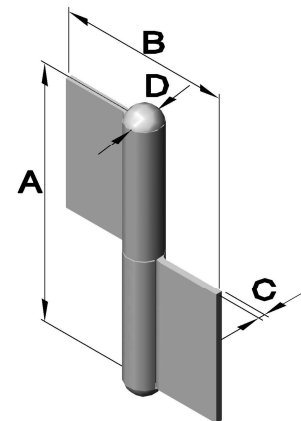
Article no.			
Series	Execution		Material
	Right	Left	Raw Steel
6071	.01	.02	.00



Art. no.: 6072

with fixed steel bolt

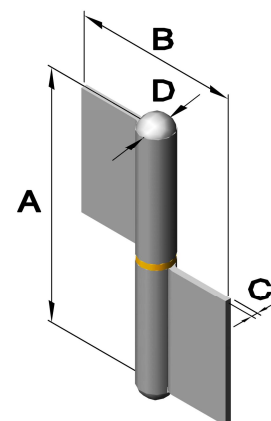
Article no.				Dimensions in mm				
Series	Execution	Material		A	B	D	C	Pin Ø
		Raw	Raw					
		Steel	Stainless steel					
6072	.01	.00	.30	60	40	8,3	1,5	5,3
6072	.02	.00	.30	80	50	10	2	6
6072	.05	.00	-	80	40	8,3	1,5	5,3



Art. no.: 6072

with fixed steel bolt and brass intermediate ring

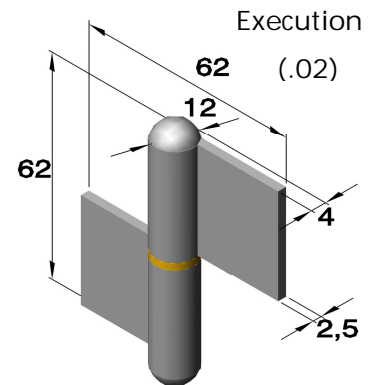
Article no.				Dimensions in mm				
Series	Execution	Material		A	B	C	D	Pin Ø
		Raw	Raw					
		Steel	Stainless steel					
6072	.03	.00	.30	61,5	40	1,5	8,3	5,3
6072	.04	.00	.30	81,5	50	2	10	6



Weld on hinges

Art. no.: 6073

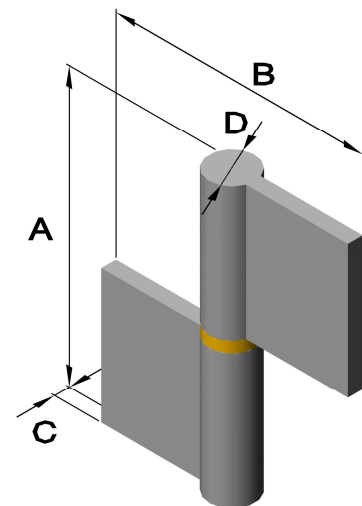
with extractable steel pin and brass intermediate ring



Article no.			
Series	Execution		Material
	Left	Right	Raw Steel
6073	.01	.02	.00

Art.no: 6098

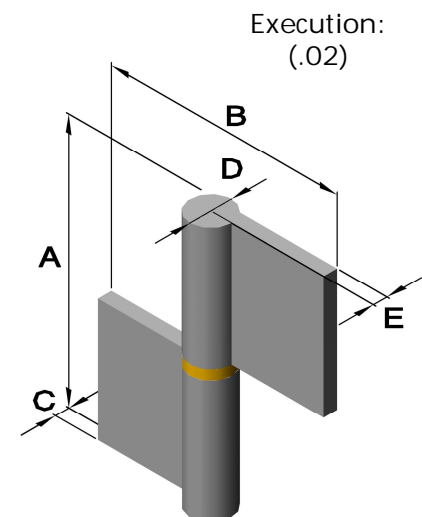
with fixed steel pin and brass intermediate ring



Article no.			Dimensions in mm				
Series	Execution	Material	A	B	C	D	Pin Ø
		Raw Steel					
6098	.01	.00	63	80	4,2	15,5	8
6098	.02	.00	83,5	80	5,1	16	8
6098	.03	.00	104	92	5,5	17	9
6098	.04	.00	124	108	6,5	19	10
6098	.05	.00	144	108	6,5	19	10

Art.no: 6099

with fixed steel pin and brass intermediate ring



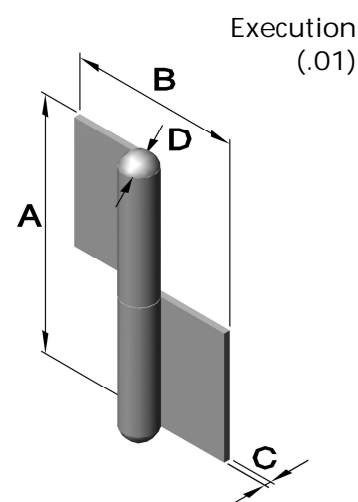
Article no.				Dimensions in mm					
Series	Execution		Raw	A	B	D	E	S	Pin Ø
	Left	Right	Steel						
6099	.02	.07	.00	83,5	63	16	5,1	5,1	8
6099	.03	.08	.00	104	92	17	5,5	5,5	9

Weld on hinges

Art.no: 6120

with fixed steel pin

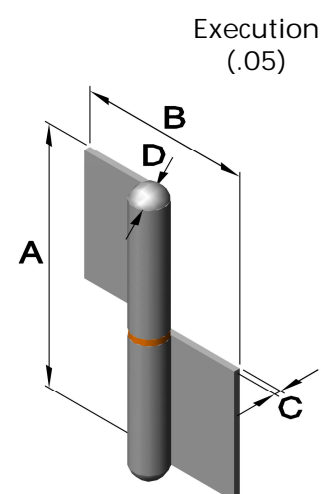
Article no.			Dimensions in mm						
Series	Execution		Material	L	B	D	E	S	Pin Ø
	Left	Right	Raw Steel						
6120	.01	.02	.00	60	40	8,4	4,2	1,5	5,3
6120	.03	.04	.00	80	48	10	5	2	6



Art.no: 6120

with fixed steel pin and brass intermediate ring

Article no.			Dimensions in mm					
Series	Execution		Material	A	B	C	D	Pin Ø
	Left	Right	Raw Steel					
6120	.05	.06	.00	61,5	40	1,5	8,4	5,3
6120	.07	.08	.00	81,5	48	2	10	6

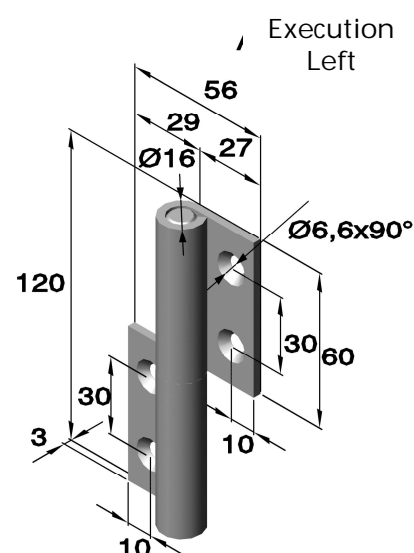


Art.no: F2879_(drilled and countersunk)

with welded stainless steel pin

Trade welded.

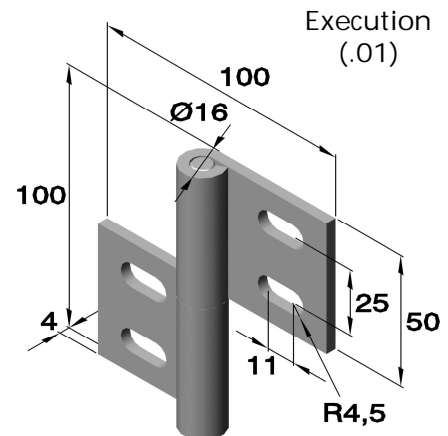
Article no.			Pin Ø
Execution		Material	
Left	Right	Raw	10
		Stainless steel 1.4571	
F28795/F28797	F28796/F28797	.30	10



Weld on hinges

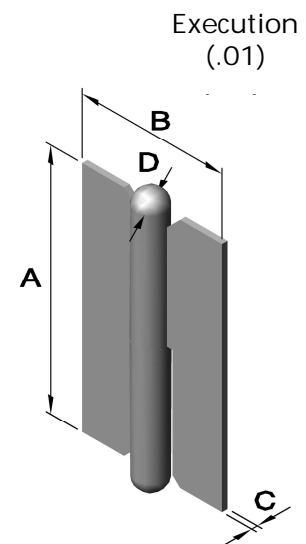
Art.no: 10010048 (drilled)
with stainless steel pin

		Article no.		Pin Ø
Series	Execution		Material	
	Left	Right	Raw Stainless steel	
10010048	.01	.02	.30	8



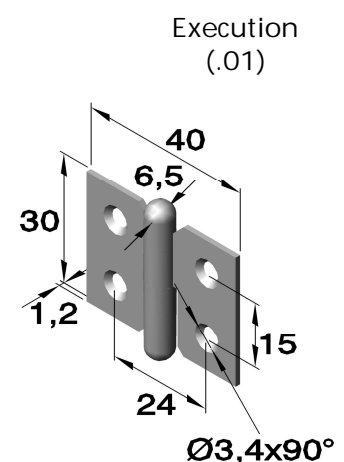
Art.no: 6076
with fixed steel pin

		Article no.		Dimensions in mm				
Series	Execution		Material	A	B	C	D	Pin Ø
	Left	Right	Raw Steel					
6076	.02	.01	.00	50	30	1,2	6,4	4
6076	.04	.03	.00	60	40	1,5	7	4



Art.no: 6077 (drilled and countersunk)
with fixed steel pin

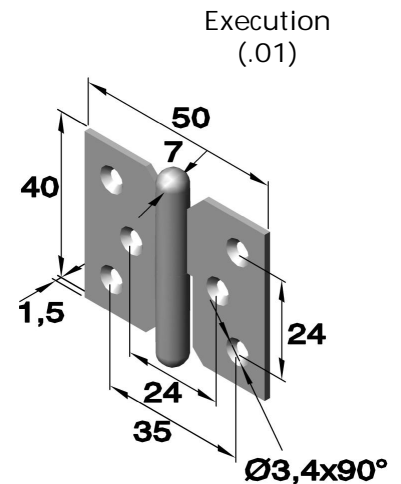
		Article no.		Material
Series	Execution		Nickel plated	
	Left	Right	Steel	
6077	.02	.01	.01	



Weld on hinges

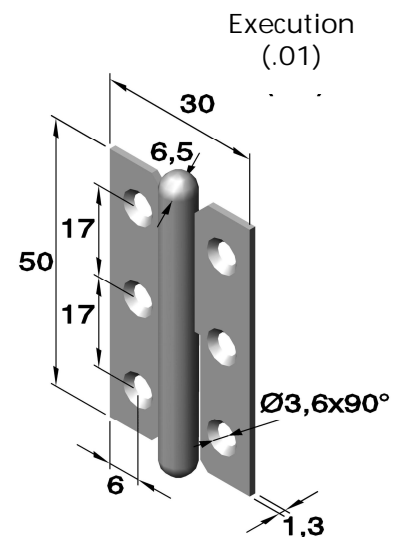
Art.no: 6078 (drilled and countersunk)
with fixed steel pin

Article no.			
Series	Execution		Material
	Left	Right	Nickel plated Steel
6078	.02	.01	.01



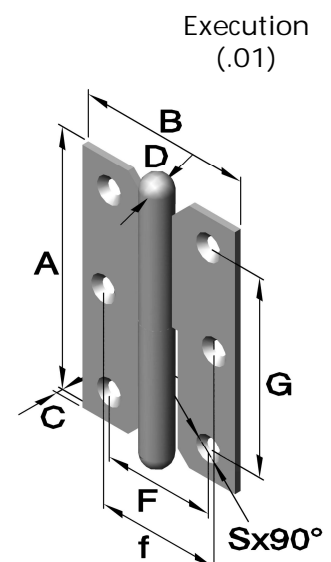
Art.no: 6079 (drilled and countersunk)
with fixed steel pin

Article no.			
Series	Execution		Material
	Left	Right	Nickel plated Steel
6079	.01	.02	.01



Art.no: 6080 (drilled and countersunk)
with fixed steel pin

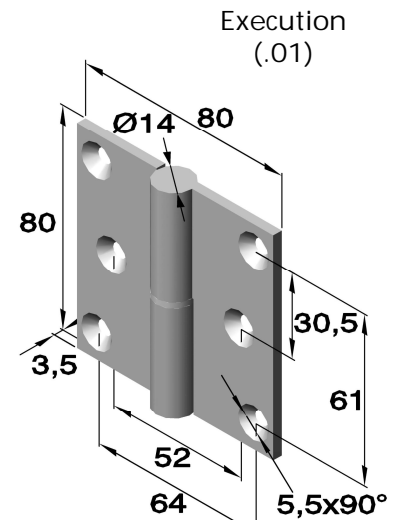
Article no.				Dimensions in mm								
Series	Execution		Material	A	B	C	D	F	f	G	S	Pin Ø
	Left	Right	Nickel plated Steel									
6080	.02	.01	.01	60	40	1,5	7	26	29	46	3,4	4
6080	.04	.03	.01	70	45	1,5	7,5	30	33,5	54	4,5	4,5
6080	.06	.05	.01	80	50	1,5	8	31,5	35,5	62	4,5	5



Weld on hinges

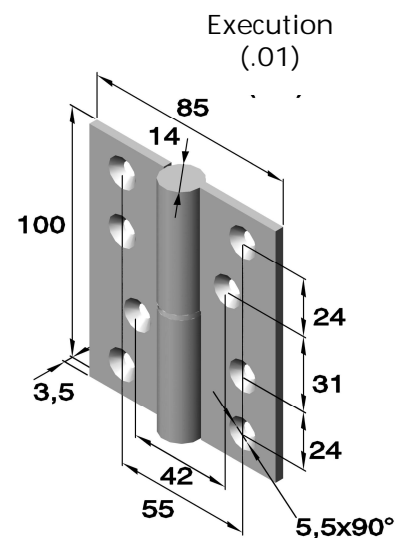
Art. no.: 6085 (drilled and countersunk)
with fixed, Zinc plated steel bolt and nylon coating

Article no.			
Series	Execution		Material
	Left	Right	Anodized silver
6085	.01	.02	Aluminium
			.70



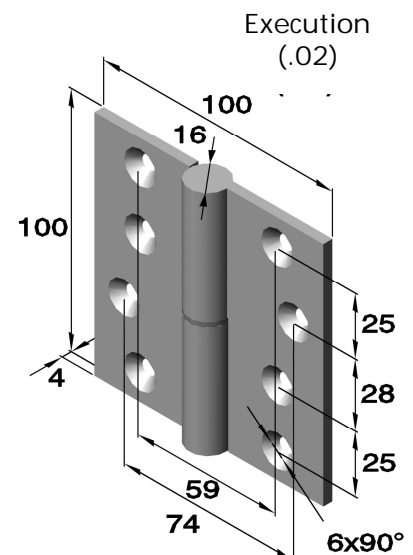
Art. no.: 6086
with fixed, zinc plated steel bolt and nylon coating,

Article no.			
Series	Execution		Material
	Left	Right	Anodized silver
6086	.01	.02	Aluminium
			.70



Art. no.: 6087 (drilled and countersunk)
with fixed, Zinc plated steel bolt and nylon coating,

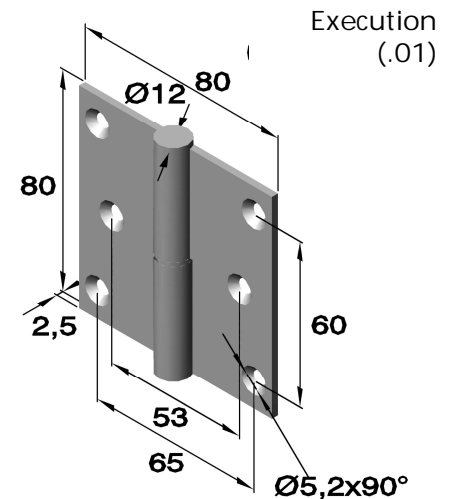
Article no.			
Series	Execution		Material
	Left	Right	Anodized silver
6087	.01	.02	Aluminium
			.70



Weld on hinges

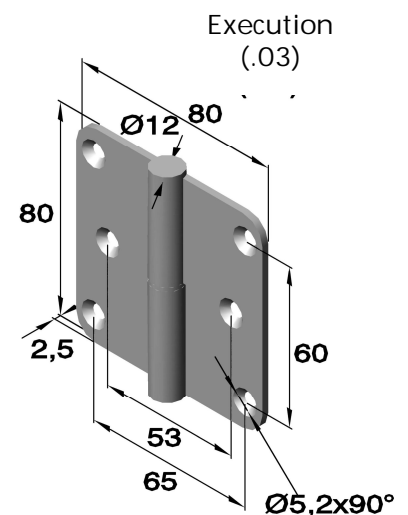
Art. no.: 6088 (drilled and countersunk)
with fixed steel bolt and steel intermediate ring

Article no.			
Series	Execution		Material
	Left	Right	Brushed Stainless steel
6088	.01	.02	.30



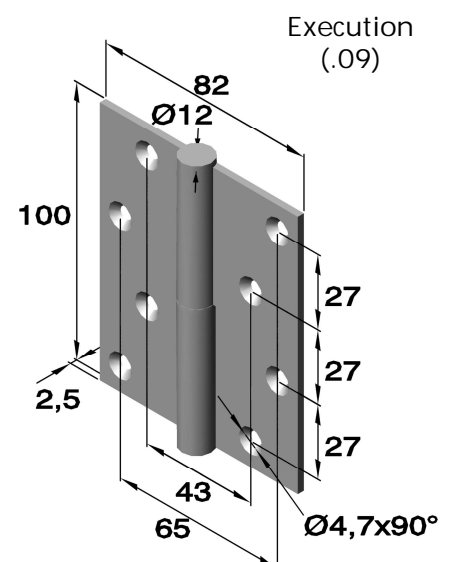
Art. no.: 6088 (drilled and countersunk)
with fixed steel bolt and steel intermediate ring

Article no.			
Series	Execution		Material
	Left	Right	Brushed Stainless steel
6088	.03	.04	.30



Art. no.: 6088 (drilled and countersunk)
with fixed steel bolt and steel intermediate ring

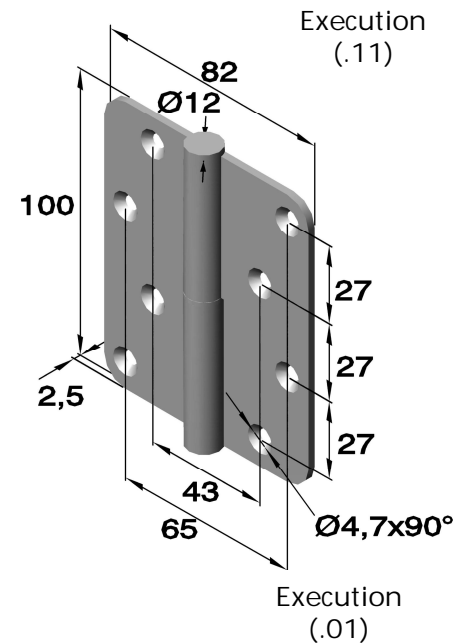
Article no.			
Series	Execution		Material
	Left	Right	Brushed Stainless steel
6088	.09	.10	.30



Weld on hinges

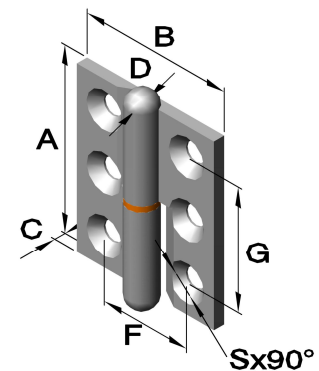
Art. no.: 6088 (drilled and countersunk)
with fixed steel bolt and steel intermediate ring

Article no.				
Series	Execution		Material	
	Left	Right	Brushed	Stainless steel
6088	.11	.12	.30	



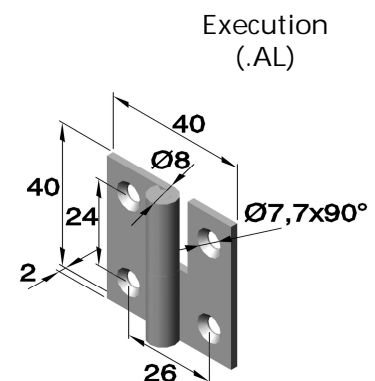
Art.no: 6125 (drilled and countersunk)
with fixed steel pin, with brass intermediate ring

Article no.				Dimensions in mm							
Series	Execution		Material	A	B	C	D	F	G	Ø S	Pin Ø
	Left	Right	Raw Steel								
6125	.01	.06	.00	48	40	3	8	24	32	4,5	4
6125	.02	.07	.00	60	50	3,5	10	30	40	5,5	5
6125	.03	.08	.00	72	60	4	12	36	48	6,5	6
6125	.04	.09	.00	84	70	4,5	14	42	56	7,5	7
6125	.05	.10	.00	96	80	5	16	48	66	8,5	8



Art.no: 99.40402 (drilled and countersunk)
with stainless steel pin, without intermediate ring

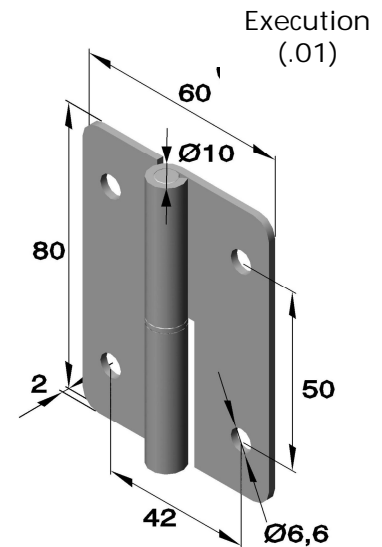
Article no.					
Series	Material		Execution		Pin Ø
	Electro polished	Stainless steel	Left	Right	
	99.40402	.33			



Weld on hinges

Art.no: 6129 (drilled)
with stainless steel pin, with intermediate ring

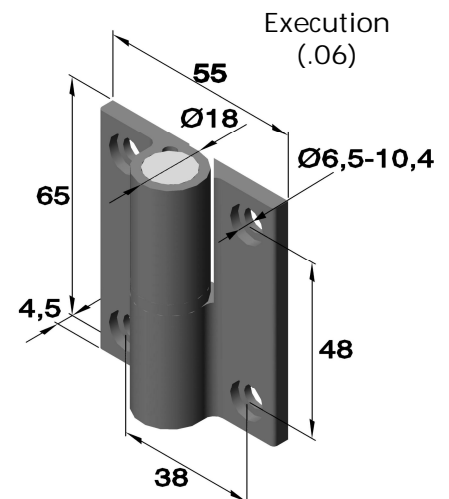
Article no.				Pin Ø
Series	Execution		Material	
	Left	Right	Raw Stainless steel	
6129	.01	.02	.30	6



Art.no. 6088 (drilled and countersunk)
with spring and nylon intermediate ring

The hinge moves itself automatically back to the initial position with an opening angle of up to 80°. Above 80° the spring function is cancelled.

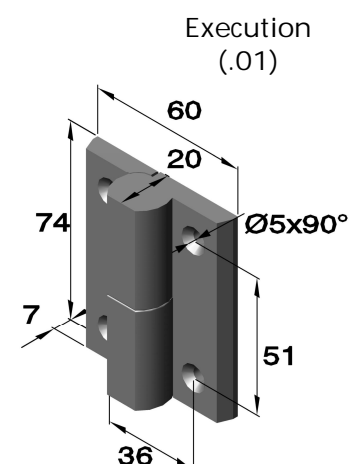
Article no.			
Series	Execution		Material
	Left	Right	Anodized Aluminium
6088	.05	.06	.77 Silver
6088	.07	.08	.77 Black



Art.no: 6124 (drilled and countersunk)
with stainless steel pin

Maximum load: 40kg

Article no.				Pin Ø
Series	Execution		Material	
	Left	Right	Raw Polyamid	
6124	.01	.02	.80 Black	9,5

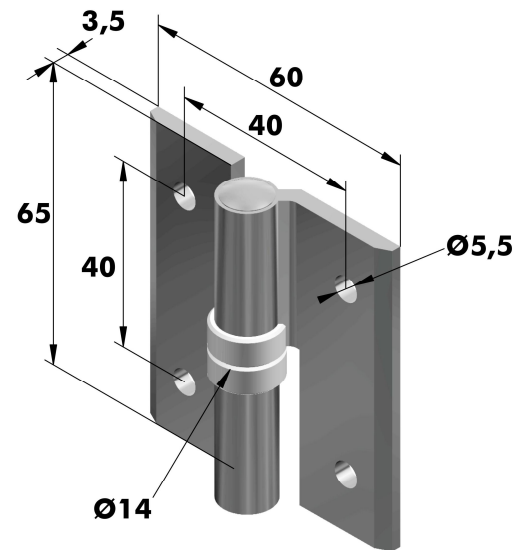


Weld on hinges

Art.no: 6961 (drilled)
with stainless steel pin 1.4301

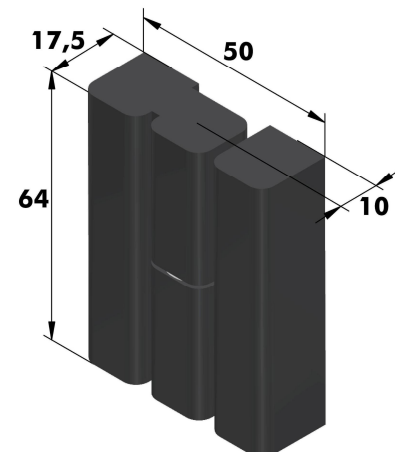
No metal-metal contact.
Polyacetal sleeves minimize penetrating particles.
Adapted for Doors 600 x 800

max. door weight: 8kg / Paar

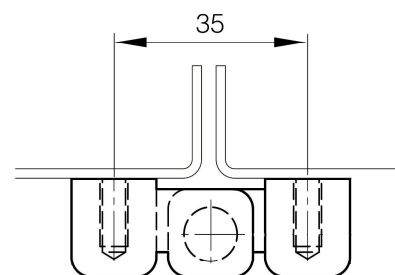
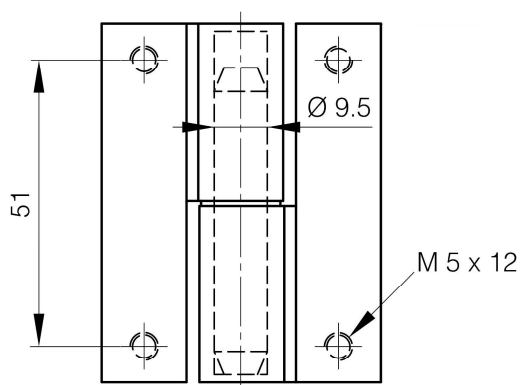


Article no.			Dimensions in mm	
Series	Execution			Material
	Left	Right	Raw Aluminium	
6961	.03	.04	.71	Pin Ø 5

Art.no: 6196 (with internal thread)
washer is made of Nylon.



Article no.		
Series	Execution	Material
		Black Zamak
6196	.01	.56
6196	.02	.56

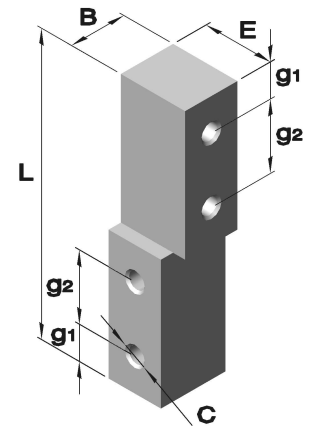


Weld on hinges

Art. no.: 6128

reinforced hinge hook bolts without intermediate ring
with internal thread

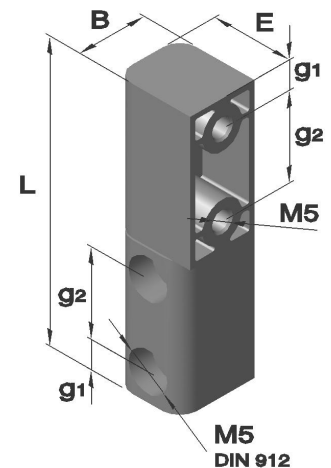
Article no.			Dimensions in mm						
Series	Execution	Material	L	B	C Ø	E	g1	g2	Pin Ø
		Brushed Stainless steel							
6128	.04	.30	64	13	M5x6	16	8	16	6
6128	.05	.30	76	13	M6x7,5	19	10	19	6



Art. no.: 6488 (drilled and countersunk)

hinge hook bolts without intermediate ring

Article no.			Dimensions in mm						
Series	Execution	Material	L	B	E	g1	g2	Pin Ø	
		Black Zamak							
6488	.01	.50	63.5	15,1	17,5	6,2	19	9,5	

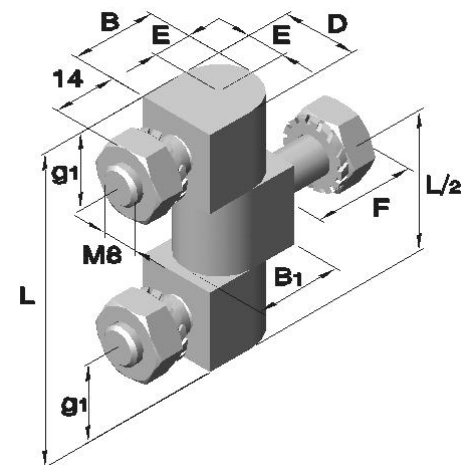


Art. no.: 6101

with extractable brass bolt
and zinc plated brass intermediate ring

Assembly kit with screw nuts and grommets.

Article no.			Dimensions in mm						
Series	Execution	Material	L	B	D	E	g1	Pin Ø	
		Zinc plated Steel							
6101	.03	.04	33	18	16	8	8	8	

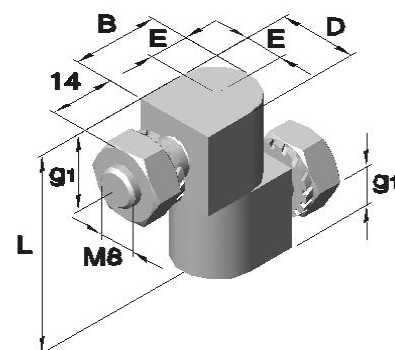


Weld on hinges

Art.no: 6101

with extractable brass pin
and zinc plated brass intermediate ring

Assembly kit with screw nuts and grommets.

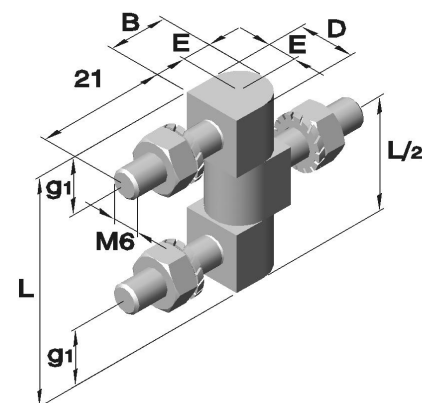


Article no.			Dimensions in mm					
Series	Execution	Material	L	B	D	E	g1	Pin Ø
		Zinc plated Steel						
6101	.03	.04	33	18	16	8	8	8

Art. no.: 6101

with extractable steel bolt without intermediate ring

Assembly kit with screw nuts and grommets.

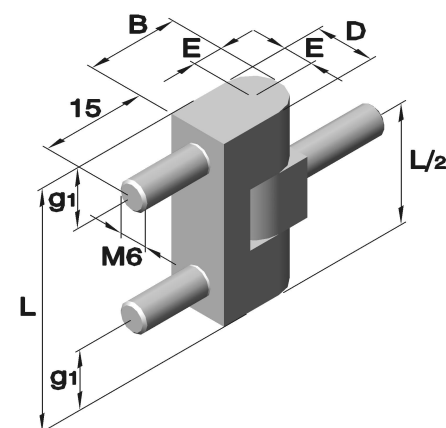


Article no.			Dimensions in mm					
Series	Execution	Material	L	B	D	E	g1	Pin Ø
		Raw Steel						
6101	.04	.00	36	12,5	12	6	6	6

Art. no.: 6101

with extractable steel pin

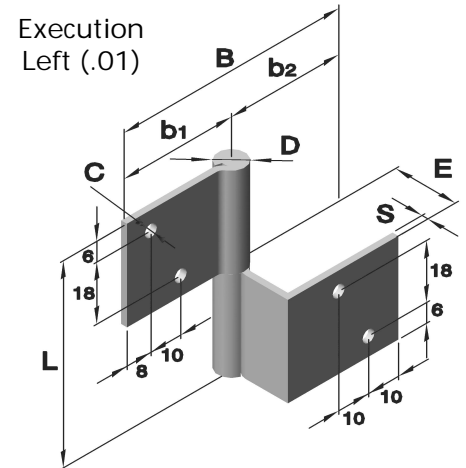
Without screw nuts and grommets.



Article no.			Dimensions in mm					
Series	Execution	Material	L	B	D	E	g1	Pin Ø
		Raw Steel						
6101	.05	.00	36	18,5	12	6	6	6

Weld on hinges

Art. no.: 6121 (drilled)
with fixed pin



Article no.			Dimensions in mm									
Series	Execution		Material	L	B	b1	b2	C Ø	D	E	S	Pin Ø
	Left	Right	Raw Stainless steel									
6121	.01	.02	.30	60	72	36	36	4	9	18	2	5

Art.no.: 6198

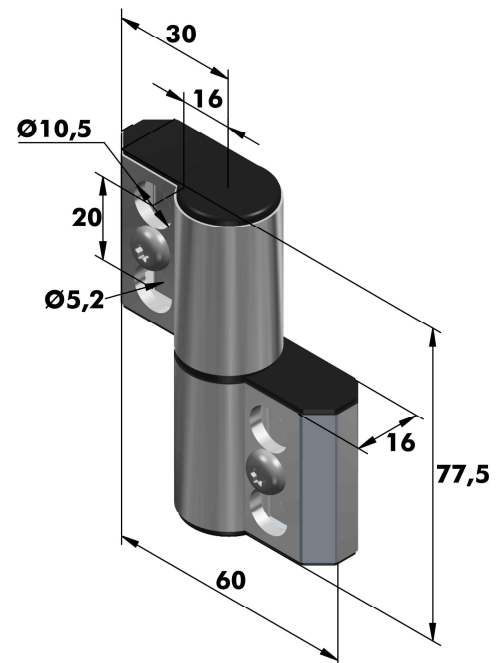
Body in aluminium, shaft in stainless steel.
Covers in Polyacetal (POM)

Friction in one direction only.
30.000 load change.
Torque is constant in torque direction.

Torque per pair: 9 N/m
Initial torque may vary from - 20% and + 40%.

Torque will be affected by temperature.
Do not lubricate.
Not suited for vibration environment.
For indoor use only.

Sold in pairs.



Article no.		
Series	Execution	Material
		Anodised Aluminium
6198	.01	.70
6198	.02	.70

Weld on hinges

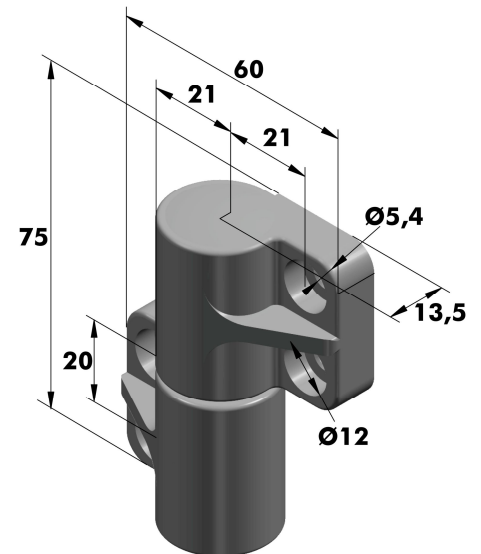
Art.no.: 6879

Troque (per pair): 5 - 7 N/m.
Temperature range: 0 - +40°C.

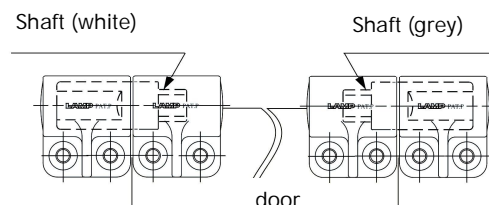
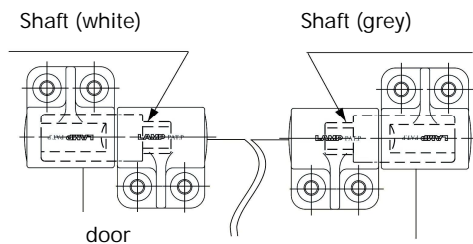
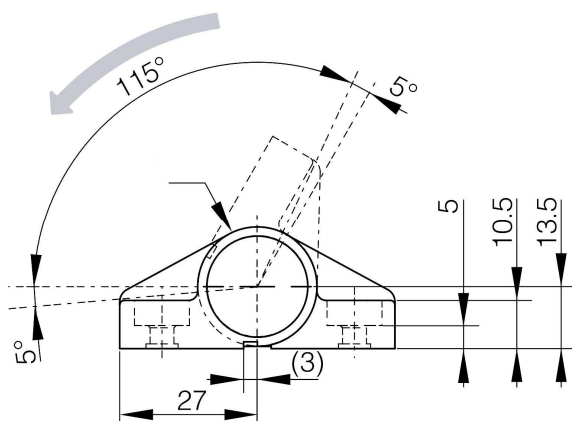
Soft-close damper keeps lid from slamming shut.
Opening angle: 115°.
Do not use over 115°!
When the door opening angle is small, the dampers may not work smoothly.

Provide a door stopper to prevent from overturning beyond the prescribed angle range.

Do not force the door to close faster in damper effective direction.



Article no.		
Series	Execution	Material
		6879



Weld on hinges

Art.no: 6195

Stainless steel pin

Fastening with stud bolt.



Series	Article no.			Dimensions in mm	
	Execution		Material	A	B
	Left	Right	Black Zamak		
6195	.01	.02	.56	60	72

