



Weld on hinge-rolls





Weld on hinge-rolls

ABR	weld on hinge rolls with round ends
ABF	weld on hinge rolls with flat ends
AB	weld on hinge rolls 3-parts
ABN	weld on hinge rolls with grease nipple
AK	weld on ball pin
AG	weld on joint

Material:

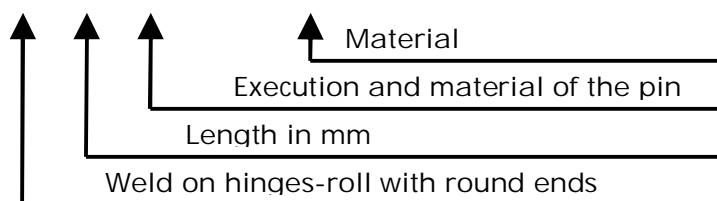
.00	raw steel
.30	raw stainless steel (V2A)
.35	raw stainless steel (V4A)
.70	raw aluminium

Execution and finishing of the pins:

FES	with fixed steel pin.
AES	with extractable steel pin.
FMS	with fixed brass pin.
AMS	with extractable brass pin.
FVS	with fixed stainless steel pin.
AVS	with extractable stainless steel pin.

Ordering example:

Art.no. ABR 100 FES .00/.30/.35/.70



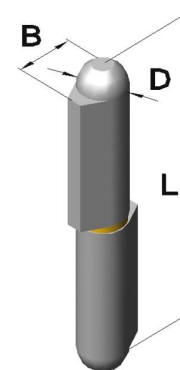
Weld on hinge-rolls

Weld on hinge-rolls „ABR“ with round ends

FES with fixed steel pin and brass-intermediate ring

FMS with fixed brass pin and brass-intermediate ring

Article no.				Dimensions in mm				
Series	L	Execution		Material	D	B	Pin Ø	Load capacity ca. in kg
				Raw Steel				
ABR	40	FES	FMS	.00	8	10	5	65
ABR	50	FES	FMS	.00	8	10	5	65
ABR	60	FES	FMS	.00	10	12	6	80
ABR	70	FES	FMS	.00	10	12	6	80
ABR	80	FES	FMS	.00	13	16	8	130
ABR	90	FES	FMS	.00	13	16	8	130
ABR	100	FES	FMS	.00	16	20	10	200
ABR	120	FES	FMS	.00	16	20	10	200
ABR	135	FES	FMS	.00	18	22,5	12	250
ABR	150	FES	FMS	.00	20	25,5	13	290
ABR	180	FES	FMS	.00	20	25,5	13	290
ABR	200	FES	FMS	.00	23	29	16	350

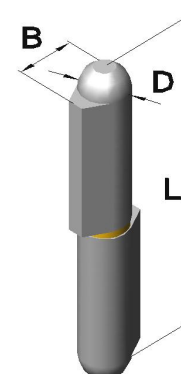


Weld on hinge-rolls „ABR“ with round ends

AES with extractable steel pin and brass-intermediate ring

AMS with extractable brass pin and brass-intermediate ring

Article no.				Dimensions in mm				
Series	L	Execution		Material	D	B	Pin Ø	Load capacity ca. in kg
				Raw Steel				
ABR	40	AES	AMS	.00	8	10	5	50
ABR	50	AES	AMS	.00	8	10	5	50
ABR	60	AES	AMS	.00	10	12	6	80
ABR	80	AES	AMS	.00	13	16	8	100
ABR	100	AES	AMS	.00	16	20	10	180
ABR	120	AES	AMS	.00	16	20	10	180
ABR	135	AES	AMS	.00	18	22,5	12	200
ABR	150	AES	AMS	.00	20	25,5	13	240
ABR	180	AES	AMS	.00	20	25,5	13	240
ABR	200	AES	AMS	.00	23	29	16	300



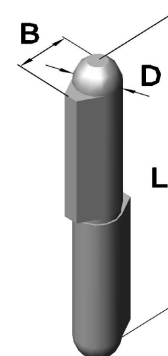
Weld on hinge-rolls

Weld on hinge-rolls „ABR“ with round ends

FVS with fixed stainless steel pin and stainless steel intermediate ring.

AVS with extractable stainless steel pin and stainless steel intermediate ring.

Article no.				Dimensions in mm				
Series	L	Execution		Material	D	B	d	Load capacity ca. in kg
				Raw				
				Stainless steel (V2A)				
ABR	40	FVS	-	.30	8	10	5	130
ABR	50	FVS	-	.30	8	10	5	130
ABR	60	FVS	AVS	.30	10	12	6	180
ABR	80	FVS	AVS	.30	13	16	8	260
ABR	90	FVS	-	.30	13	16	8	260
ABR	100	FVS	AVS	.30	16	20	10	310
ABR	120	FVS	AVS	.30	16	20	10	310
ABR	135	FVS	-	.30	18	22,5	12	350
ABR	150	FVS	AVS	.30	20	25,5	13	400
ABR	180	FVS	AVS	.30	20	25,5	13	500



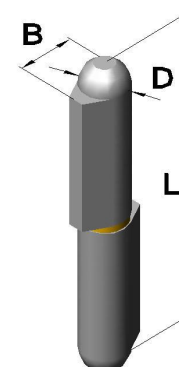
Article no.				Dimensions in mm				
Series	L	Execution		Material	D	B	d	Load capacity ca. in kg
				Raw				
				Stainless steel (V4A)				
ABR	60	FVS	-	.35	13	16	8	160
ABR	80	FVS	-	.35	13	16	8	260
ABR	100	FVS	-	.35	16	20	10	400
ABR	120	FVS	-	.35	16	20	10	400
ABR	150	FVS	-	.35	20	25,5	13	580
ABR	180	FVS	-	.35	20	25,5	13	580

Weld on hinge-rolls „ABR“ with round ends

FVS with fixed stainless steel pin and brass intermediate ring.

AVS with extractable stainless steel pin and brass intermediate ring.

Article no.				Dimensions in mm				
Series	L	Execution		Material	D	B	d	Load capacity ca. in kg
				Raw				
				Aluminium				
ABR	60	FVS	AVS	.70	10	12	6	50
ABR	80	FVS	AVS	.70	13	16	8	70
ABR	100	FVS	-	.70	16	20	10	100
ABR	120	FVS	AVS	.70	16	20	10	120
ABR	150	FVS	-	.70	20	25,5	13	150
ABR	180	FVS	-	.70	20	25,5	13	170

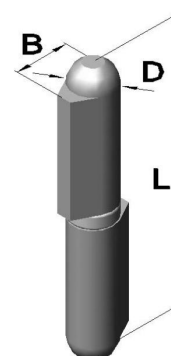


Weld on hinge-rolls

Weld on hinge-rolls „**ABR**“ with round ends

FES with fixed steel pin and ball bearing

Article no.				Dimensions in mm			
Series	L	Execution	Material	D	B	Pin Ø	Load capacity ca. in kg
			Raw Steel				
ABR	141	FES	.00	18	22,5	12	250
ABR	155.5	FES	.00	20	25,5	13	290
ABR	206	FES	.00	23	29	16	350

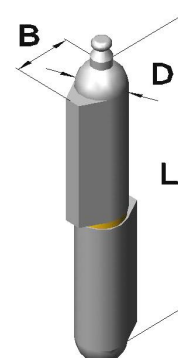


Weld on hinge-rolls „**ABN**“ with round ends and grease nipple

FES with fixed steel pin and brass intermediate ring

FMS with fixed brass pin and brass intermediate ring

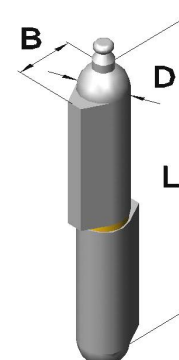
Article no.				Dimensions in mm				
Series	L	Execution		Material	D	B	Pin Ø	Load capacity ca. in kg
				Raw Steel				
ABN	60	FES	FMS	.00	10	12	6	80
ABN	80	FES	FMS	.00	13	16	8	130
ABN	100	FES	FMS	.00	16	20	10	200
ABN	120	FES	FMS	.00	16	20	10	200
ABN	135	FES	FMS	.00	18	22,5	12	250
ABN	150	FES	FMS	.00	20	25,5	13	290
ABN	180	FES	FMS	.00	20	25,5	13	290
ABN	200	FES	FMS	.00	23	29	16	350



Weld on hinge rolls „**ABN**“ with round ends and grease nipple

FVS with fixed stainless steel pin and stainless steel intermediate ring.

Article no.				Dimensions in mm			
Series	L	Execution	Material	D	B	d	Load capacity ca. in kg
			Raw Stainless steel (V2A)				
ABN	60	FVS	.30	13	16	8	160
ABN	80	FVS	.30	13	16	8	260
ABN	100	FVS	.30	16	20	10	400
ABN	120	FVS	.30	16	20	10	400
ABN	135	FVS	.30	20	25,5	13	500
ABN	150	FVS	.30	20	25,5	13	580
ABN	180	FVS	.30	20	25,5	13	580



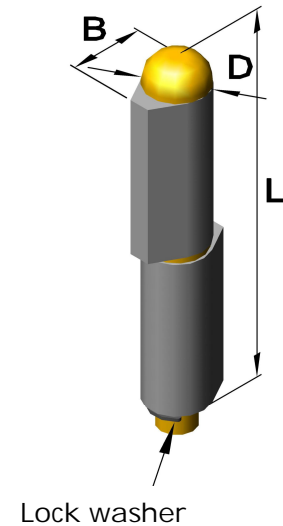
Weld on hinge-rolls

Weld on hinge-rolls „ABS“ with round ends

AES with extractable steel pin and brass intermediate ring.

AMS with extractable steel pin and brass intermediate ring.

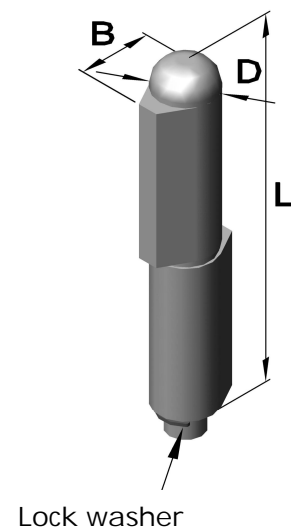
Article no.				Dimensions in mm				
Series	L	Execution		Material	D	B	Pin Ø	Load capacity ca. in kg
				Raw Steel				
ABS	40	AES	AMS	.00	8	10	5	50
ABS	50	AES	AMS	.00	8	10	5	50
ABS	60	AES	AMS	.00	10	12	6	80
ABS	80	AES	AMS	.00	13	16	8	100
ABS	100	AES	AMS	.00	16	20	10	180
ABS	120	AES	AMS	.00	16	20	10	180
ABS	135	AES	AMS	.00	18	22,5	12	200
ABS	150	AES	AMS	.00	20	25,5	13	240
ABS	180	AES	AMS	.00	20	25,5	13	240
ABS	200	AES	AMS	.00	23	29	16	300



Weld on hinge rolls „ABS“ with round ends

AVS with extractable stainless steel pin and stainless steel intermediate ring.

Article no.				Dimensions in mm				
Series	L	Execution		Material	D	B	d	Load capacity ca. in kg
				Raw Stainless steel (V2A)				
ABS	60	AVS		.30	13	16	8	80
ABS	80	AVS		.30	13	16	8	100
ABS	100	AVS		.30	16	20	10	180
ABS	120	AVS		.30	16	20	10	180
ABS	150	AVS		.30	20	25,5	13	240
ABS	180	AVS		.30	20	25,5	13	240



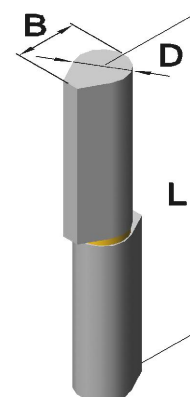
Weld on hinge-rolls

Weld on hinge rolls „ABF“ with flat ends

FES with fixed steel pin and brass intermediate ring

FMS with fixed brass pin and brass intermediate ring

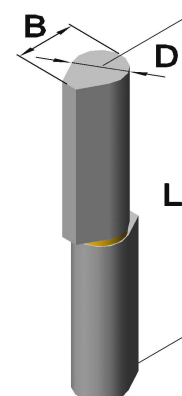
Article no.				Dimensions in mm				
Series	L	Execution		Material	D	B	Pin Ø	Load capacity ca. in kg
				Raw				
				Steel				
ABF	45	FES	FMS	.00	8	10	5	65
ABF	60	FES	FMS	.00	10	12	6	80
ABF	80	FES	FMS	.00	13	16	7	80
ABF	100	FES	FMS	.00	16	20	9	130
ABF	120	FES	FMS	.00	16	20	9	130
ABF	140	FES	FMS	.00	20	25,5	11	200
ABF	200	FES	-	.00	23	29	16	350



Weld on hinge rolls „ABF“ with flat ends

FVS with fixed stainless steel pin and brass intermediate ring.

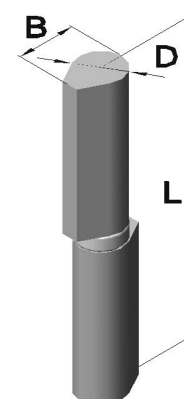
Article no.				Dimensions in mm				
Series	L	Execution		Material	D	B	Pin Ø	Load capacity ca. in kg
				Raw				
				Stainless steel (V2A)				
ABF	60	FVS		.30	10	12	6	180
ABF	80	FVS		.30	13	16	7	180
ABF	100	FVS		.30	16	20	9	260
ABF	120	FVS		.30	16	20	9	260



Weld on hinge rolls „ABF“ with flat ends

FES with fixed steel pin and ball bearing

Article no.				Dimensions				
Series	L	Execution		Material	D	B	Pin Ø	Load capacity ca. in kg
				Raw				
				Steel				
ABF	84	FES		.00	13	16	7	80
ABF	104	FES		.00	16	20	9	130



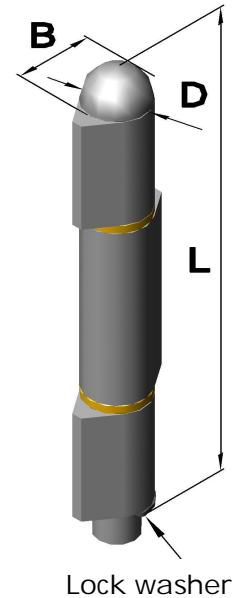
Weld on hinge-rolls

Weld on hinge-rolls „AB“ 3-parts

AES with extractable steel pin and brass intermediate ring

AMS with extractable brass pin and brass intermediate ring

article no.					dimensions in mm			
series	L	execution		material	D	B	pin Ø	load capacity ca. in kg
				raw				
				steel				
AB	135/3	AES	AMS	.00	18	22,5	12	790
AB	150/3	AES	AMS	.00	20	25,5	13	960
AB	180/3	AES	AMS	.00	20	25,5	13	1300
AB	200/3	AES	AMS	.00	23	29	16	2000



Weld on hinge rolls „AB“ 3- parts

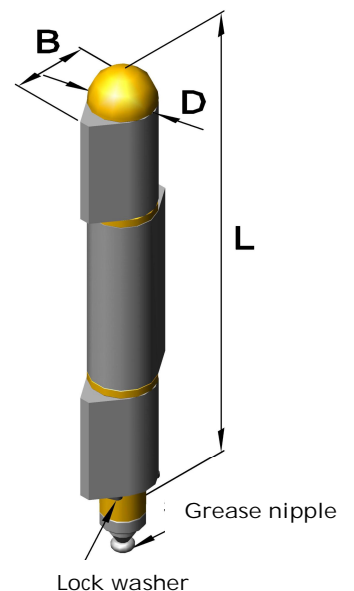
AVS with extractable stainless steel pin and brass intermediate ring

Article no.				Dimensions in mm			
Art.	L	Execution	Material	D	B	Pin Ø	Load capacity ca. in kg
			V2A				
AB	135/3	AVS	.30	18	22.5	12	790
AB	150/3	AVS	.30	20	25.5	13	960
AB	180/3	AVS	.30	20	25.5	13	1300

Weld on hinge-rolls „AB“ 3-parts with grease nipple

AMS with extractable brass pin and brass intermediate ring

Article no.					Dimensions in mm			
Series	L	Execution		Material	D	B	Pin Ø	Load capacity ca. in kg
				Raw				
				Steel				
ABN	135/3	AMS		.00	18	22,5	12	790
ABN	150/3	AMS		.00	20	25,5	13	960
ABN	180/3	AMS		.00	20	25,5	13	1300
ABN	200/3	AMS		.00	23	29	16	2000



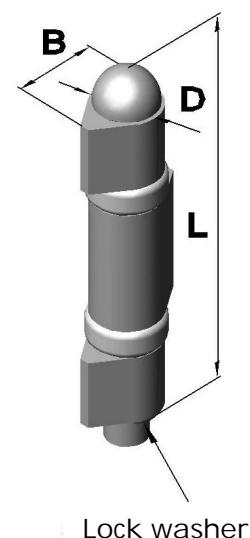
Weld on hinge-rolls

Weld on hinge rolls „AB“ 3 parts with 2 ball bearings

AES with extendable steel pin and 2 ball bearings

AMS with extendable brass pin and 2 ball bearings

Article no.				Dimensions in mm					
Series	L	Execution		Material		D	B	Pin Ø	Load capacity ca. in kg
				Raw	Steel				
				AB	90/3				
AB	110/3	AES	AMS	.00		23	29	13	1000

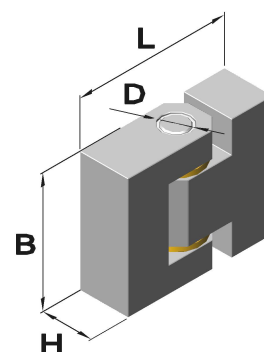


Lock washer

Weld on joints „AG“ With fixed steel pin

FES stored on self greased sleeves and brass intermediate ring.

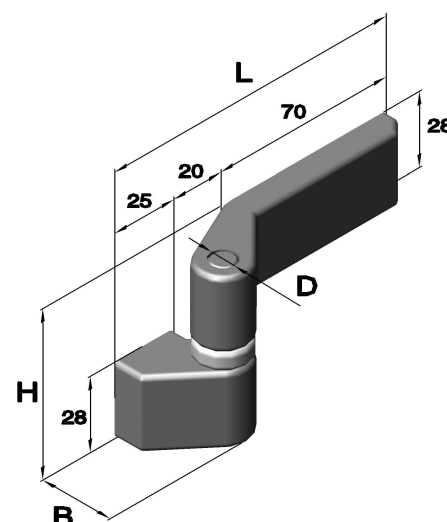
Article no.					Dimensions in mm				
Series	L	Execution		Material		B	H	D	Load capacity ca. in kg
				Raw	Steel				
				AG	60				
AG	70	FES	.00	.30	60	25	12	4000	
AG	80	FES	.00	-	60	30	15	5000	
AG	100	FES	.00	-	80	40	20	9000	
AG	120	FES	.00	-	100	50	25	10000	
AG	140	FES	.00	-	120	60	30	10000+	



Weld on plug „AK“

AES with extractable steel pin and ball bearing

Article no.				Dimensions in mm					
Series	L	Execution		Material		B	H	D	Load capacity ca. in kg
				Raw	Steel				
				AK	115				



Weld on hinge-rolls

„Adjustable size and width“

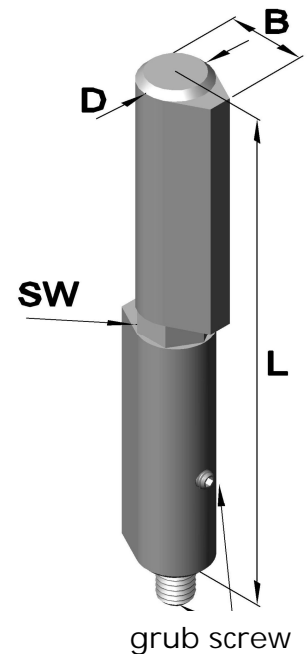
Weld on hinge rolls „AB“
„Adjustable size and width“

AES with extractable steel pin
AMS with extractable brass pin

Article no.				Dimensions in mm				
Series	L	Execution	Material	D	B	Pin Ø	SW	Load capacity ca in kg
			Raw Steel					
AB	118	AES-3D	.00	20	25,5	12	17	-
AB	147	AES-3D	.00	23	28,5	12	17	-

AVS with extractable steel pin

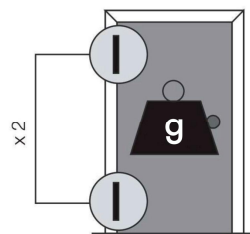
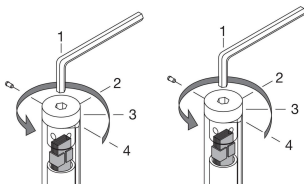
Article no.				Dimensions in mm				
Series	L	Execution	Material	D	B	Pin Ø	SW	Load capacity ca in kg
			Raw Stainless steel (V2A)					
AB	118	AVS-3D	.30	20	25,5	12	17	-



„With adjustable spring“

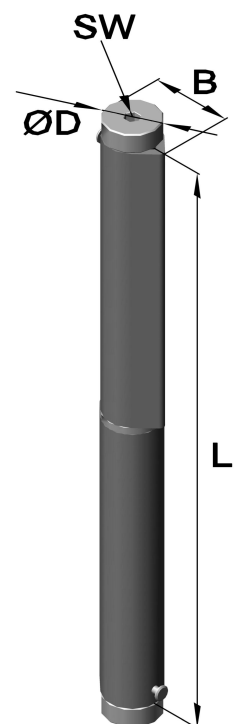
Art.no. 158.I-5____.____ (spring force adjustable)

with integrated spring



Article no.				Dimensions in mm				Loading capacity in kg
Series	Material		L	B	SW	ØD	g	
	Raw	Stainless steel (V2A)						
	Steel	Stainless steel (V2A)						
158.I-5524	.00	.05.30	120	21	5	18	20	
158.I-5324	.00	.05.30	180	21	5	18	40	
158.I-5124	.00	.05.30	235	26	5	22	60	

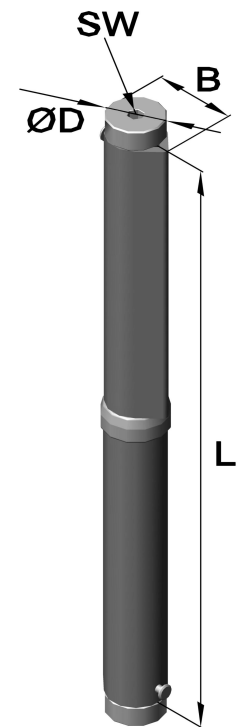
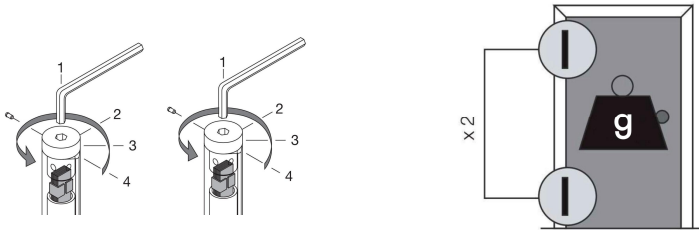
This product will be delivered only in pairs.
Close doors automatically, integrated mechanic is very tough and adjustable.
Max. aperture angle 180°.



Weld on hinge-rolls

Art.no. 158.I-5____.__(spring force adjustable)

with integrated spring, with ball bearing



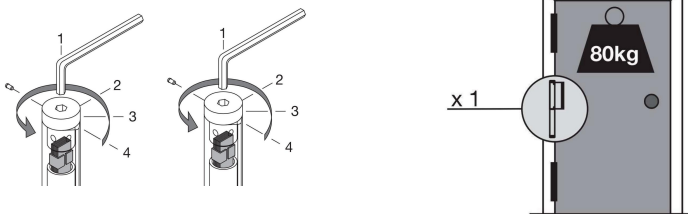
Article no.			Dimensions in mm				Loading capacity in kg
Series	Material		L	B	SW	ØD	g
	Steel	Stainless steel (V2A)					
158.I-5334	.00	.05.30	180	21	5	18	60
158.I-5134	.00	.05.30	235	26	5	22	120

This product will be delivered only in pairs.
Close doors automatically, integrated mechanic is very tough and adjustable.
Max. aperture angle 180°.

Hinges for fire protection doors

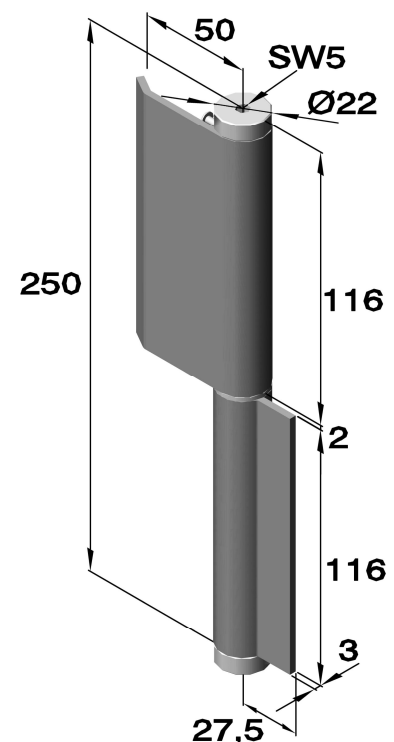
Art.no. 158.I-5224.__(spring force adjustable)

with integrated spring



Article no.	
Series	Material
	Raw
	Steel
158.I-5224	.00

This product will be delivered only in pairs.
Close doors automatically,
Integrated mechanic is very tough and adjustable.
Max. aperture angle 180°.



Weld on hinge-rolls
