



Locking devices and mechanic catches



Art.:6907



Art.:6321



Art.:6313



Art.:6324



Art.:6350



Art.:6355



Art.:6352



Art.:6800



Art.:6314



Art.:6315



Art.:6235



Art.:6318



Art.:6325



Art.:6300



Art.:6305



Art.:6323



Art.:6308



Art.:6322



Art.:6310



Art.:6312

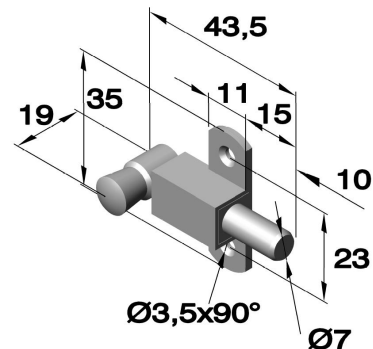


Art.:6328

Locking devices and mechanic catches

Art. no.: 6314 (perforated and countersunk)
Latch with return spring

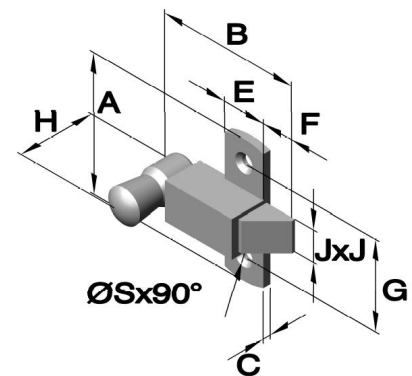
Article no.		
Series	Execution	Material
		Zinc plated
6314	.01	Steel
		.04



Art. no.: 6315 (perforated and countersunk)
Latch with return spring

Suitable strike plate:
Art. no.: 6318. __

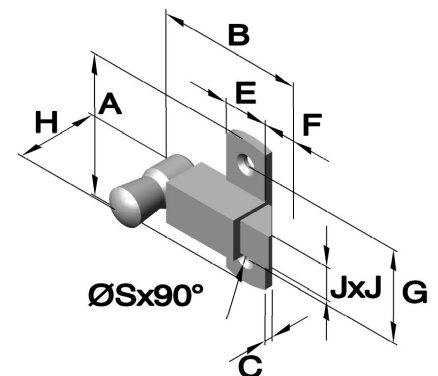
Article no.				Dimensions in mm								
Series	Execution	Material		A	B	C	E	F	G	H	J	S
		Zinc plated	Chrome plated									
		Steel	Brass									
6315	.01	.04	.23	35	36,5	2,2	11	8	23	19	8	3,5
6315	.02	.04	.23	50	56	2,7	16	12	34	27	12	5,5
6315	.03	.04	.23	70	73	3,5	22	17	45	38	16	7



Art. no.: 6316 (perforated and countersunk)
Latch with return spring

Suitable Strike plate:
Art. no.: 6318. __

Article no.				Dimensions in mm								
Series	Execution	Material		A	B	C	E	F	G	H	J	S
		Zinc plated	Chrome plated									
		Steel	Brass									
6316	.01	.04	.23	35	36,5	2,2	11	8	23	19	8	3,5
6316	.02	.04	.23	50	56	2,7	16	12	34	27	12	5,5
6316	.03	.04	.23	70	73	3,5	22	17	45	38	16	7



Locking devices and mechanic catches

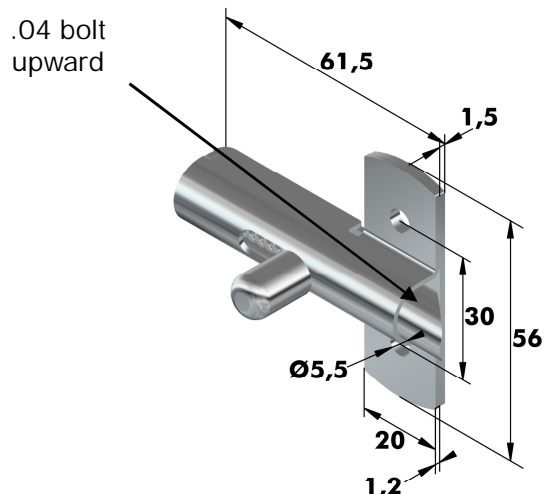
Art.no. 6316 (perforated)

Latch with return spring

Resistant to water and detergents.

Also appropriate for applications in aggressive environments.

Article no.		
Series	Execution	Material
6316	.04	Stainless steel



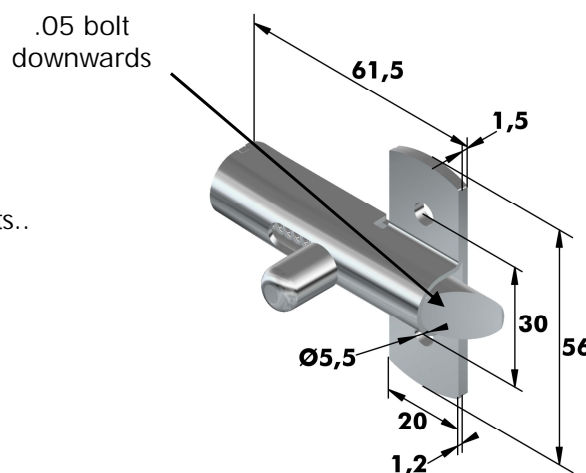
Art.no. 6316 (perforated)

Latch with return spring.

Resistant to water and detergents.

Also appropriate for applications in aggressive environments..

Article no.		
Series	Execution	Material
6316	.05	Stainless steel

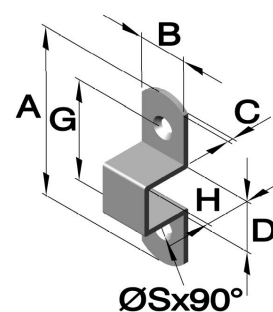


Art. no.: 6318 (perforated and countersunk)

Strike plate suitable for:

Art. no.: 6315. __

Art. no.: 6316. __



Article no.				Dimensions in mm						
Series	Execution	Material		A	B	C	D	G	H	S
		Zinc plated Steel	Chrome plated Brass							
6318	.01	.04	.23	35	11	1,2	11,5	23	11,5	4,3
6318	.02	.04	.23	50	16	1,5	16	34	16	5,2
6318	.03	.04	.23	70	19	2	19	43,5	19	6,2

Locking devices and mechanic catches

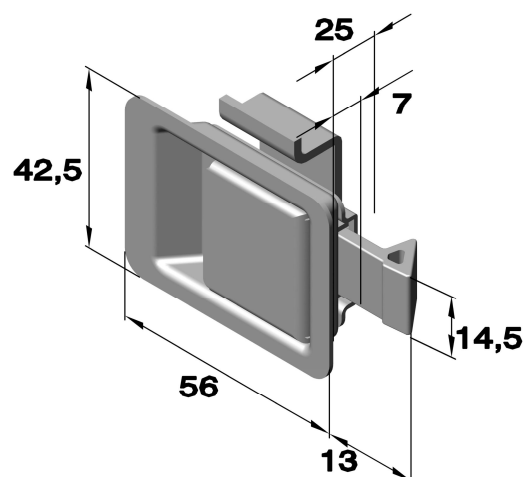
Art.no. 100.2485

Countersunk folding handle with return spring,
to screw

Clamping area: 7mm

Installation opening: 37x 48

Article no.		
Series	Material	
	Chrome plated	Brushed
	Steel	Stainless steel
100.2485	.03	.30

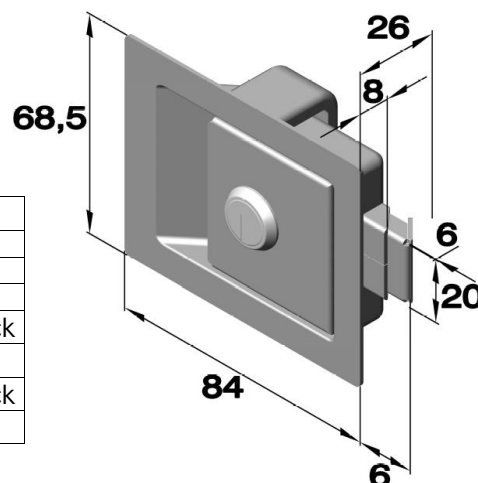


Art. no.: 6907

Countersunk folding handle with return spring,
to screw

Installation opening: 72 x 56

Article no.					
Series	Execution	Material			
		Chrome plated	Zinc plated	Raw	
		Steel	Steel	Stainless steel	
6907	.02	-	.04	-	without lock
6907	.03	-	.04	-	with lock
6907	.04	-	-	.30	without lock
6907	.05	-	-	.30	with lock



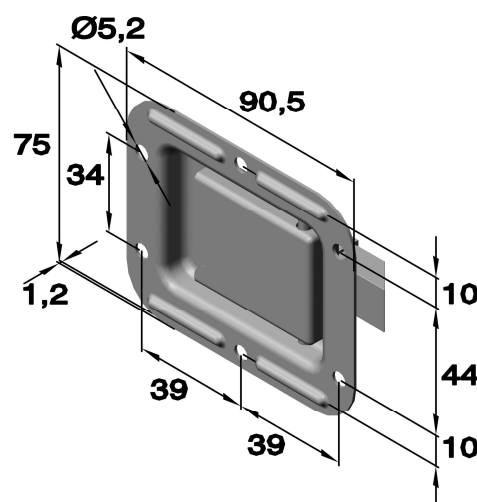
Art.no. 100.L1037 (perforated)

Countersunk folding handle with return spring,
to screw

Clamping area: 11-12mm

Installation opening: 48 x 64

Article no.	
Series	Material
	Zinc plated
	Steel
100.L1037	.04



Locking devices and mechanic catches

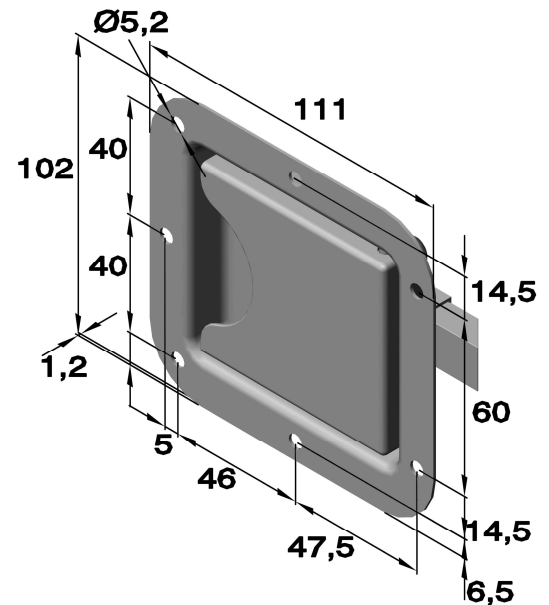
Art.no. 100.L1066 (perforated)

Countersunk folding handle with return spring,
to screw

Clamping area: 11-12mm

Installation opening: 76 x 86

Article no.	
Series	Material
	Zinc plated
	Steel
100.L1066	.04



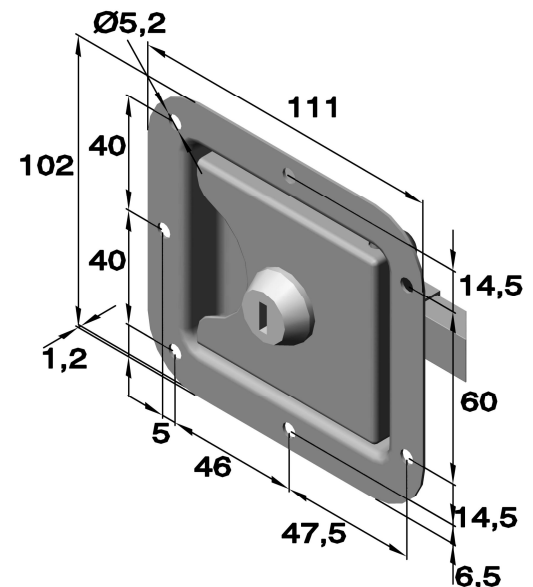
Art.no. 100.L1068 (perforated)

Countersunk folding handle with return spring,
to screw with lock

Clamping area: 11-12mm

Installation opening: 76 x 86

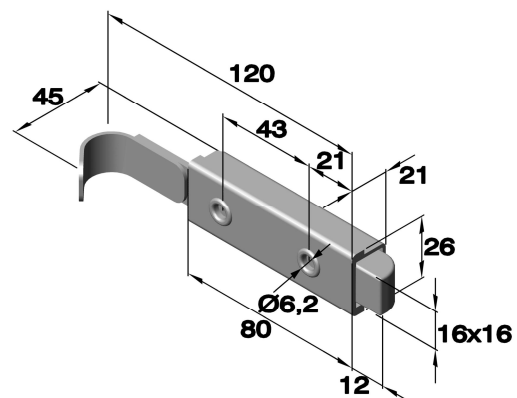
Article no.	
Series	Material
	Zinc plated
	Steel
100.L1068	.04



Art. no.: 3226 (perforated)

Latch with return spring

Article no.	
Series	Material
	Zinc plated
	Steel
3226	.04

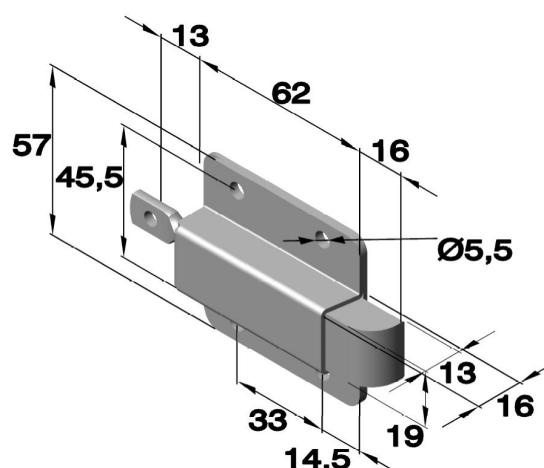


Locking devices and mechanic catches

Art. no.: 6321.01 (perforated, rounded up)

Latch with return spring

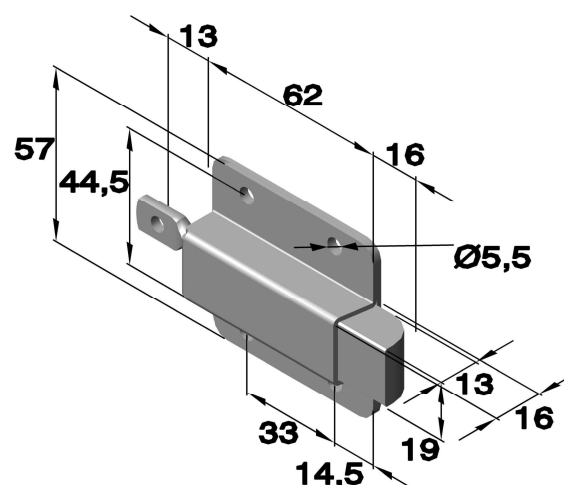
Article no.		
Series	Material	
	Zinc plated	Raw
6321.01	Steel	Stainless steel
	.04	.30



Art. no.: 6321.02 (perforated, rounded down)

Latch with return spring

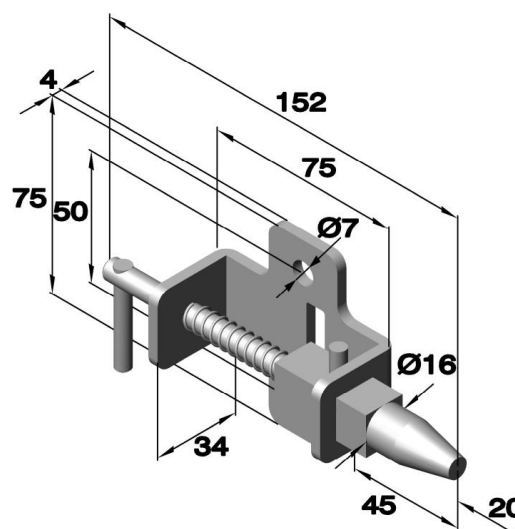
Article no.		
Series	Material	
	Zinc plated	Raw
6321.02	Steel	Stainless steel
	.04	.30



Art. no.: 6325 (perforated)

Latch with return spring

Article no.	
Series	Material
	Zinc plated
6325	Steel
	.04

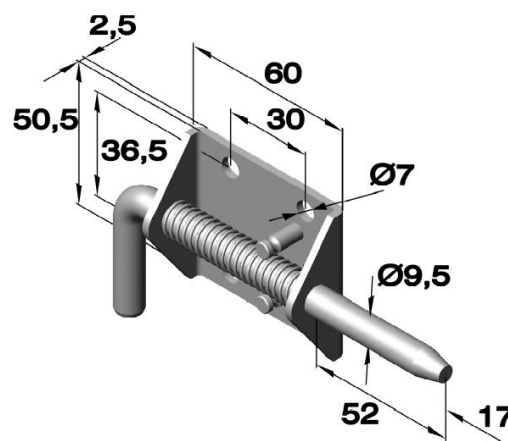


Locking devices and mechanic catches

Art. no.: 6330.01 (drilled)

Lock bolt with return spring

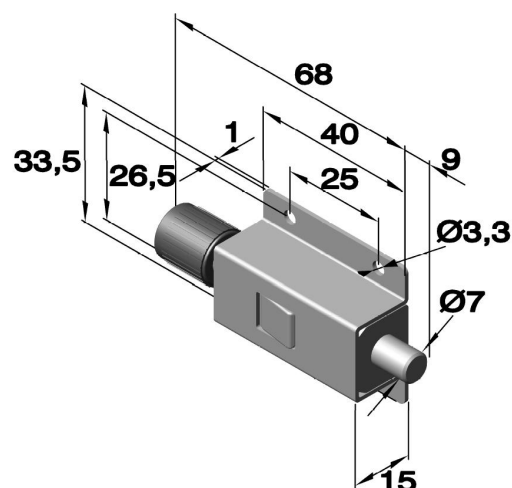
Article no.	
Series	Material
	Zinc plated
	Steel
6330.01	.04



Art. no.: 6235 (perforated)

Lock bolt with return spring

Article no.	
Series	Material
	Raw
	Stainless steel
6235	.30



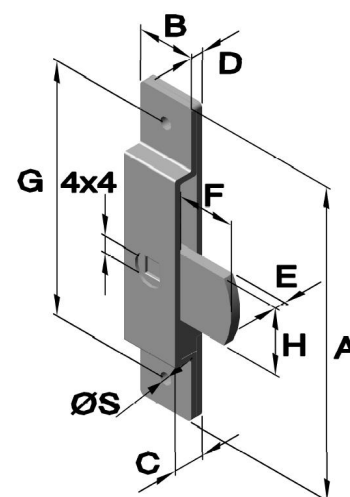
Art. no.: 6300 (perforated)

Latch

Suitable key:

Art. no.: 6310.01.08

Article no.			Dimensions in mm								
Series	Execution	Material	A	B	C	D	E	F	G	H	S
		Zinc plated									
		Steel									
6300	.01	.08	75	14	7	3	2,5	14	61	14	3,6
6300	.02	.08	85	16	8	3	3	15	66	16	3,6



Locking devices and mechanic catches

Art. no.: 6305 (perforated)

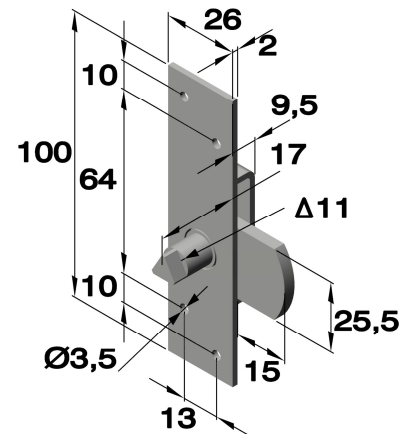
Latch

This article works left and right

Suitable key:

Art. no.: 6312.01.____

Article no.		
Series	Execution	Material
		6305
		Zinc plated
		.04



Art. no.: 6308 (perforated)

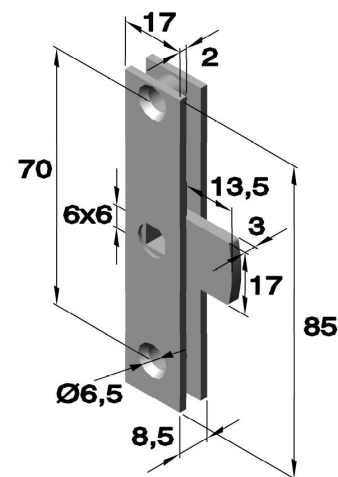
Latch

This article works left and right

Suitable key:

Art. no.: 6328

Article no.		
Series	Execution	Material
		6308
		Stainless steel
		.30



Art. no.: 6322 (perforated)

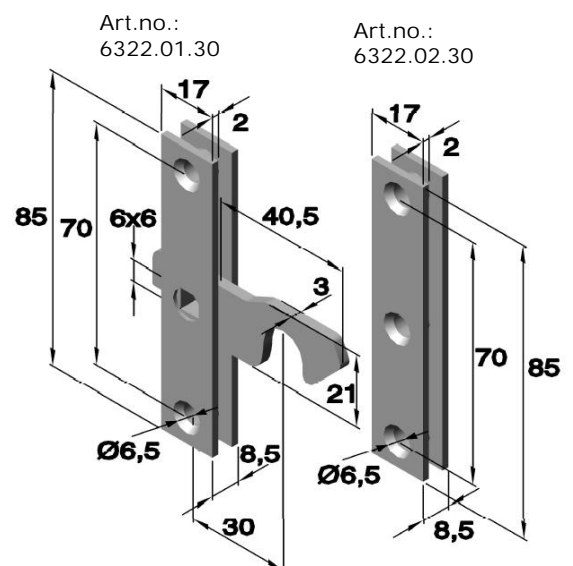
Latch with return spring

This article works left and right

Suitable key:

Art. no.: 6328

Article no.		
Series	Execution	Material
		6322
		Stainless steel
6322	.02	.30



Locking devices and mechanic catches

Art. no.: 6323 (perforated)

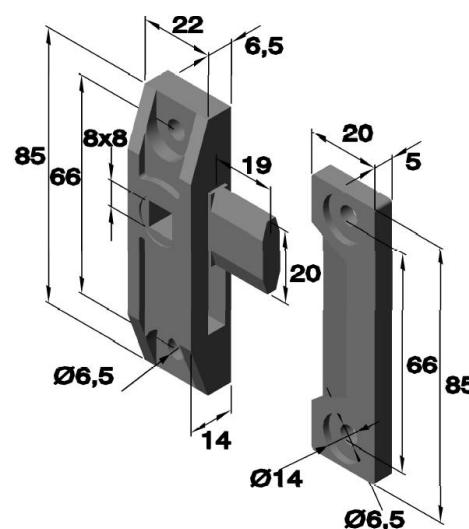
Latch

This article works left and right

Suitable key:

Art. no.: 6328

Article no.	
Series	Material
6323	POM (Polyoxymethylene) .30



Art. no.: 6327 (perforated)

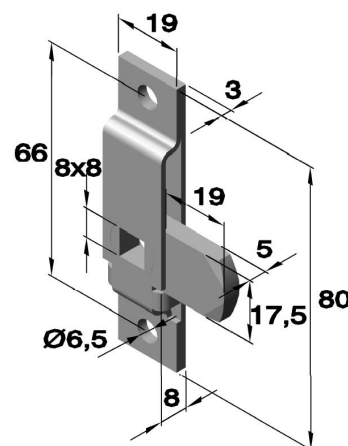
Latch

This article works left and right

Suitable key:

Art. no.: 6328

Article no.			
Series	Execution	Material	
		Zinc plated	Raw
6327	.01	.04	-
6327	.02	-	.30

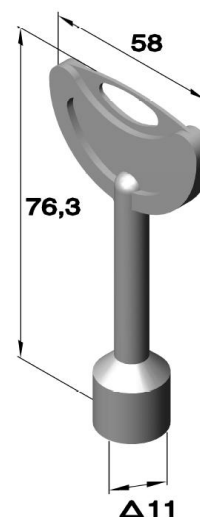


Art. no.: 6312

Suitable for:

Art. no.: 6305. __

Article no.		
Series	Execution	Material
		Zinc plated
6312	.01	Zamak .04



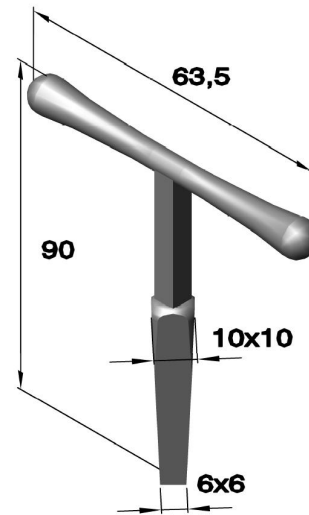
Locking devices and mechanic catches

Art. no.: 6328

Suitable for:

Art. no.: 6308. ___
Art. no.: 6322. ___
Art. no.: 6323. ___
Art. no.: 6327. ___

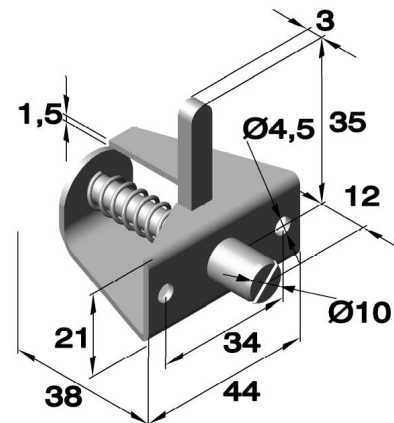
Article no.	
Series	Material
6328	Cast steel



Art. no.: 6319 (perforated)

Latch with return spring
Spring made of stainless steel

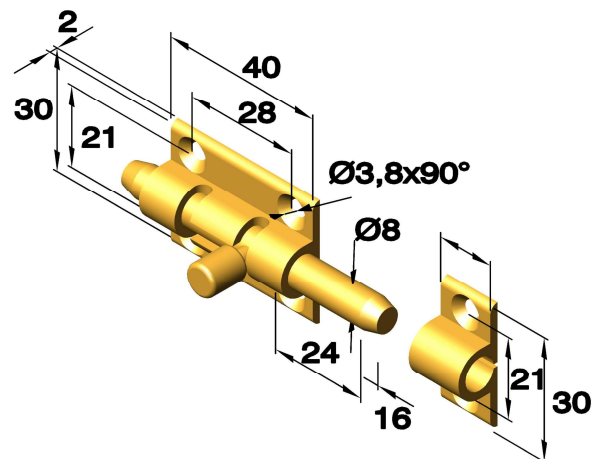
Article no.	
Series	Material
	Zinc plated
	Steel
6319	.04



Art. no.: 6313 (perforated and countersunk)

Shoot bolt with locking plate

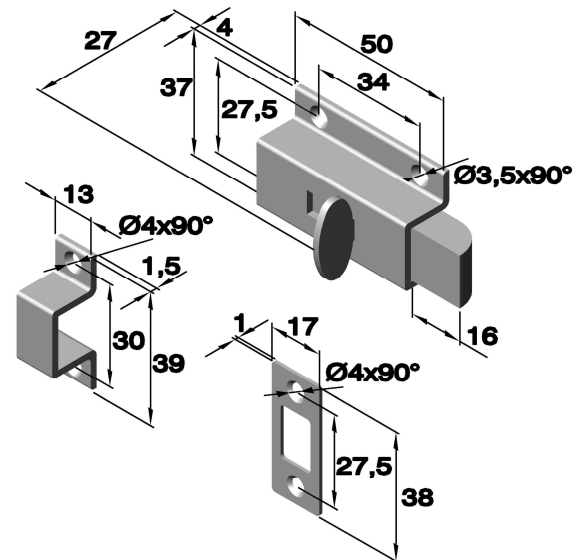
Article no.		
Series	Material	
	Brass	Brass
	Polished	Chrome plated
6313	.22	.23



Locking devices and mechanic catches

Art. no.: 6324 (perforated and countersunk)
Shoot bolt with locking plate

Article no.	
Series	Material
	Satin finished
	Stainless steel
6324	.30

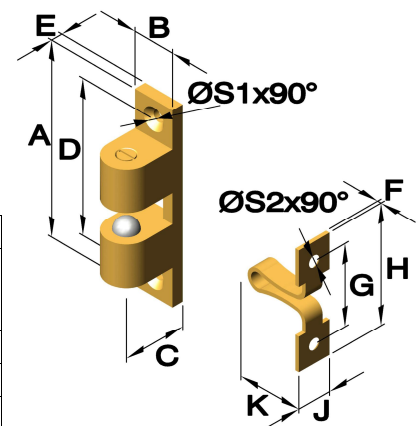


Art. no.: 6350 (perforated and countersunk)

Double ball catches, mechanical
to screw

The locking plate can be inserted in
4 different directions inside
the interlock plate

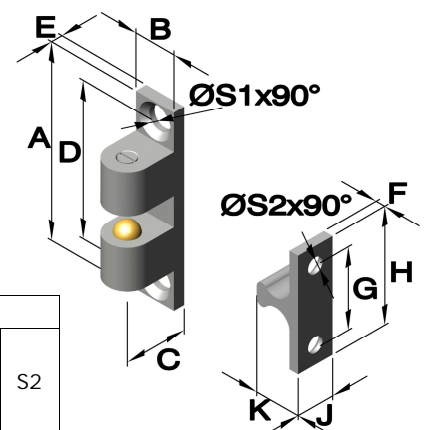
Article no.			Dimensions in mm											
Series	Execution	Material	A	B	C	D	E	F	G	H	J	K	S1	S2
		Brassed Zamak												
6350	.01	.52	50	11	12,5	40	3	1,4	21	30	8	18	4,2	3,5
6350	.02	.52	60	14,5	14,5	48	3	2	26	42	10	20	4,2	4,2
6350	.03	.52	70	17,5	16,5	57	3,5	2	32	50	12	22	4,2	3,2



Art. no.: 6352 (perforated and countersunk)

Double ball catcher, mechanical
to screw

Article no.			Dimensions in mm											
Series	Execution	Material	A	B	C	D	E	F	G	H	J	K	S1	S2
		Chrome plated Zamak												
6352	.01	.53	42,5	8	10	35	2,5	2,5	16	25	7,5	11	3,2	3,2
6352	.03	.53	50	10	12,5	40	3	2,5	20	30	9	12	4,2	4,2
6352	.05	.53	70	13,5	17	60	4	3	30	42	10,5	17	4,2	4,2

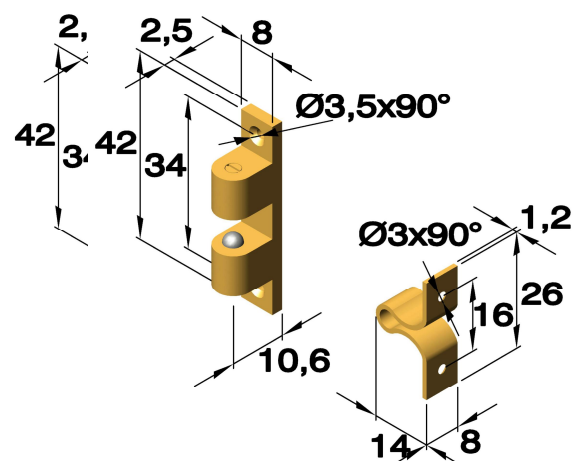


Locking devices and mechanic catches

Art. no.: 6355 (perforated and countersunk)

Double ball catcher, mechanical
to screw

The locking plate can be inserted in
2 different directions inside
the interlock plate

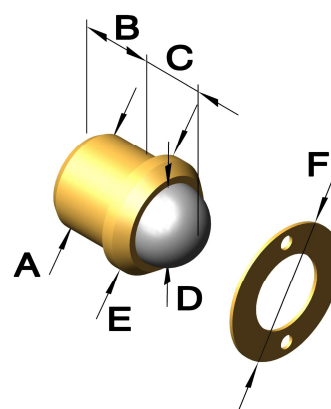


Article no.		
Series	Execution	Material
		6350
		.52

Art. no.: 6800

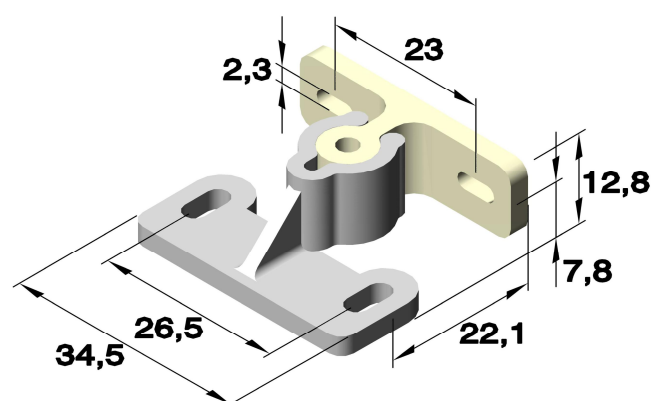
Ball catcher

Article no.			Dimensions in mm						
Series	Execution	Material	A	B	C	D	E	F	
		Raw Brass							
6800	.01	.20	8	7,5	4,5	6,5	9	16	
6800	.02	.20	10	8,5	6,5	8	11	16	
6800	.03	.20	12	9	7	10	13	19,5	
6800	.04	.20	13	10,5	7,2	10	14	19,5	



Art.no. 6356

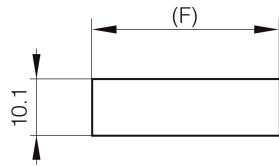
Article no.		
Series	Execution	Material
		6356
		.86



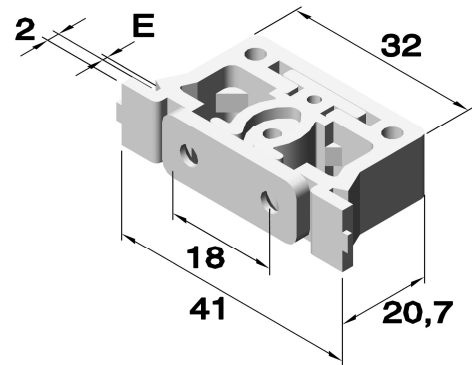
Locking devices and mechanic catches

Art.no. 6354

Installation opening



E	0.8	1.0	1.2
(F)	32.3	32.9	33.8



Article no.		
Series	Execution	Material
6354	.01	Raw
		Plastic
		.86

Locking devices and mechanic catches

Art.no. L80

Compression latch

With or without lock cylinder available

Adjustable clamping area from 24-46mm

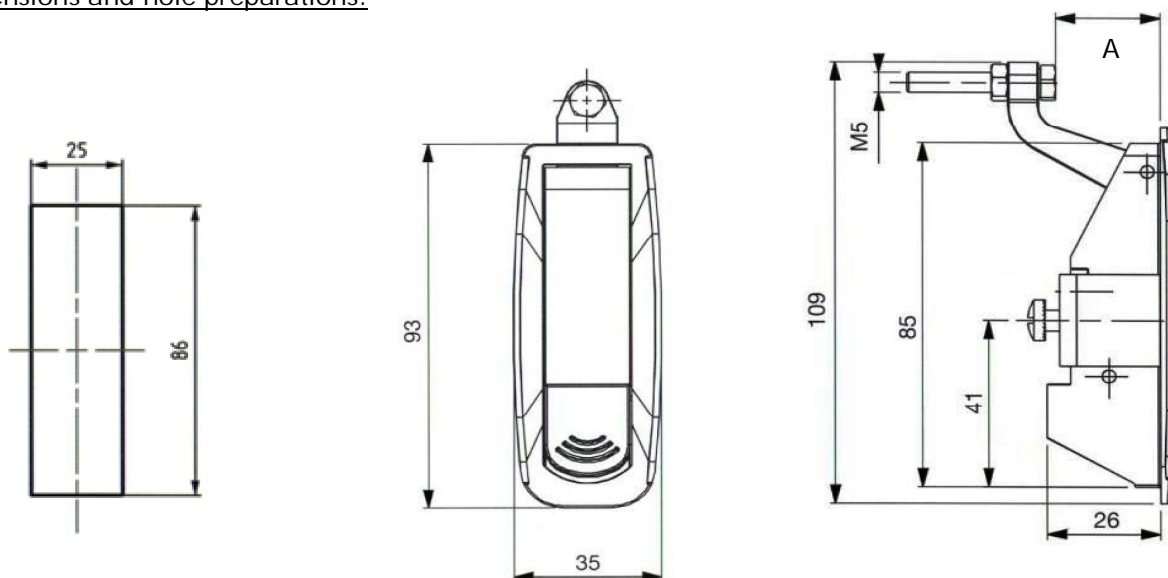
Suitable for panel thickness from max. 2mm

Supplied with a mounting plate



Article no.							Dimensions in mm
Series	Execution	Material		Same key	Different key	Without lock cylinder	A
		Black coated	Chrome plated				
		Zamak	Zamak				
L80	B	-EH	-ED	A	D	N	0-24
L80	A	-EH	-ED	A	D	N	24-46

Dimensions and hole preparations:

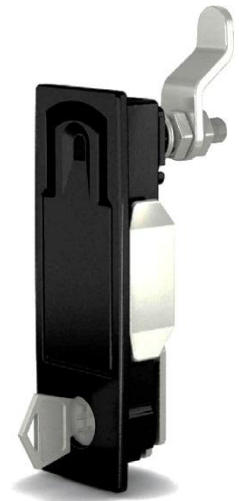


Locking devices and mechanic catches

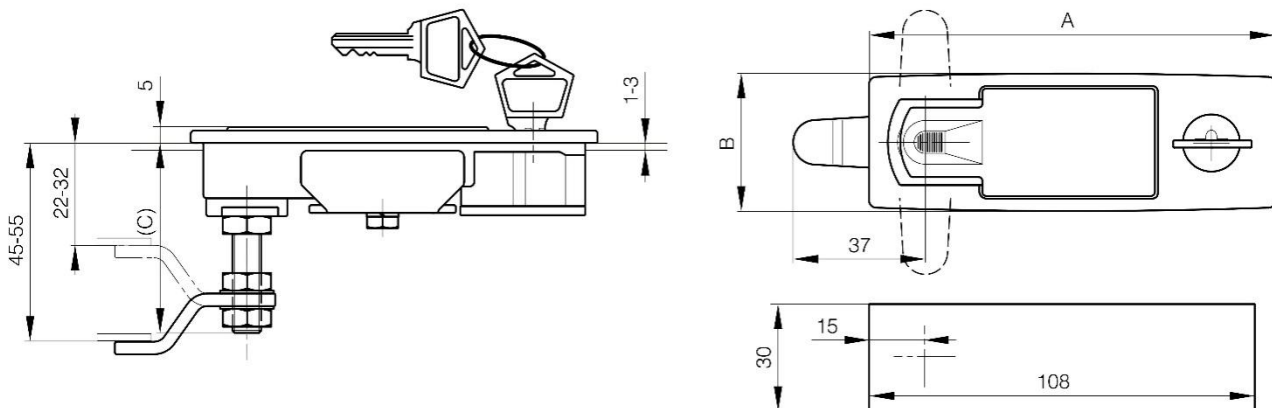
Art.no. 6335

Compression latch

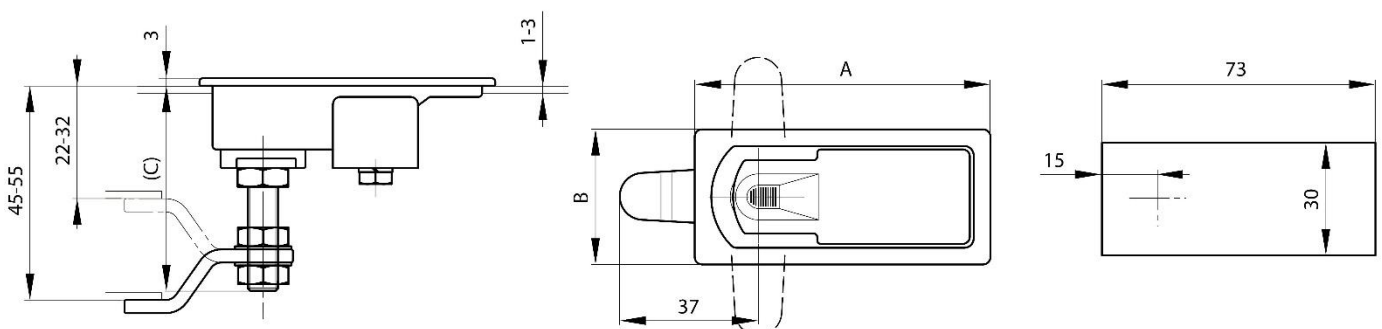
The bolt is always delivered with the same key.



Article no.				Dimensions in mm		
Series	Execution	Material Black coated Zamak		A	B	C
6335	.06	.59	With key	114	38,5	52



Article no.				Dimensions in mm		
Series	Execution	Material Black coated Zamak		A	B	C
6335	.05	.59	Without key	79	36	52



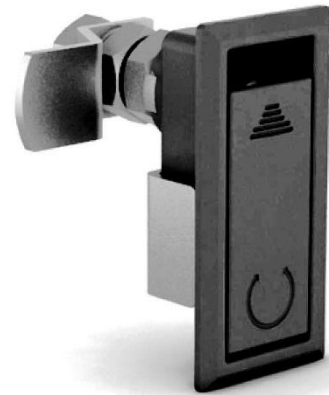
Locking devices and mechanic catches

Art.no. 6335

Compression latch

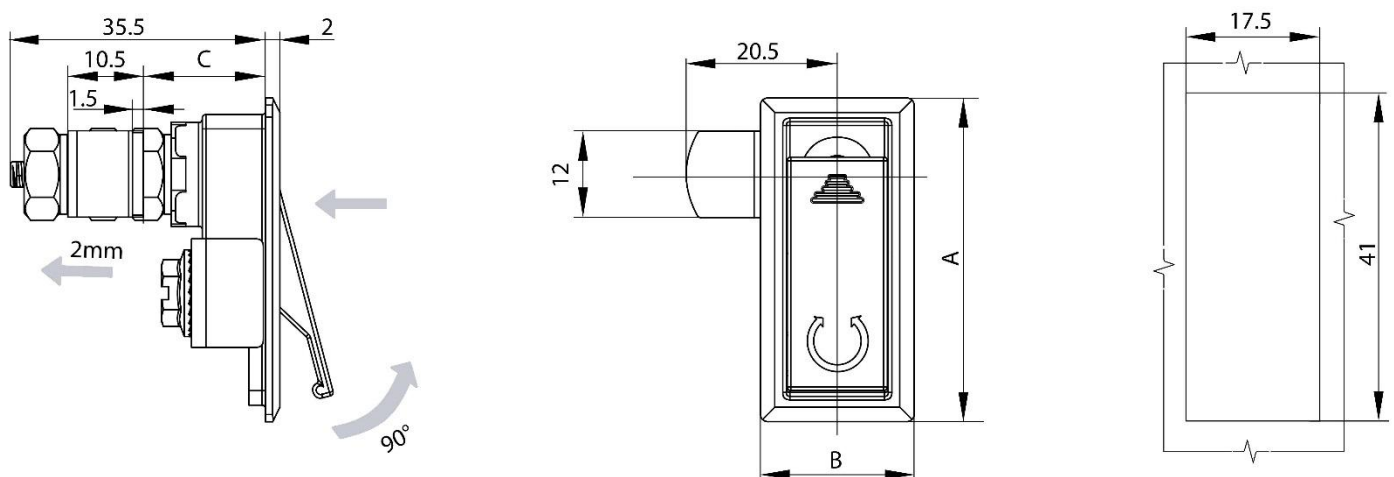
Measure C individually adjustable by screw.

Attachment and tongue made of galvanized steel.



Article no.			Dimensions in mm		
Series	Execution	Material	A	B	C
		Black Zamak			
6335	.07	.59	45	21,4	14-20

Dimensions and hole preparations:



Locking devices and mechanic catches

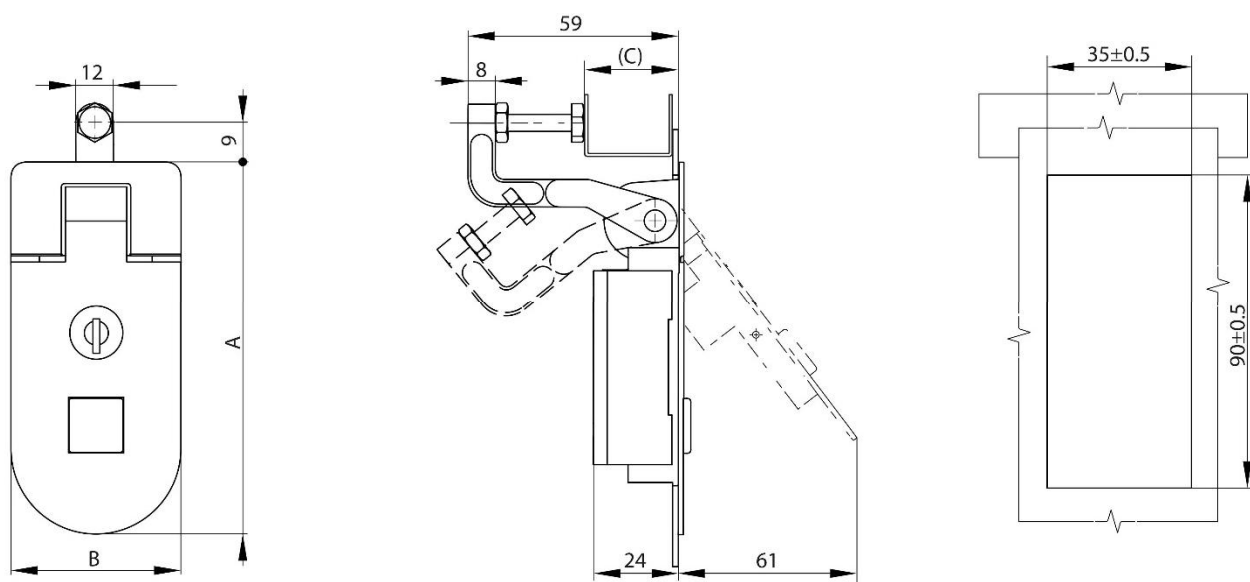
Art.no. 6335

Compression latch with key
Delivered with the same key.
Mounting plate and screws made of galvanized steel.



Artikel no.			Dimensions in mm		
Series	Execution	Material	A	B	C
		Black Zamak			
6335	.10	.59	110	50	31-48

Dimensions and hole preparations:



Locking devices and mechanic catches

Art.no. 6335

Compression latch
Available with or without closing cylinder.

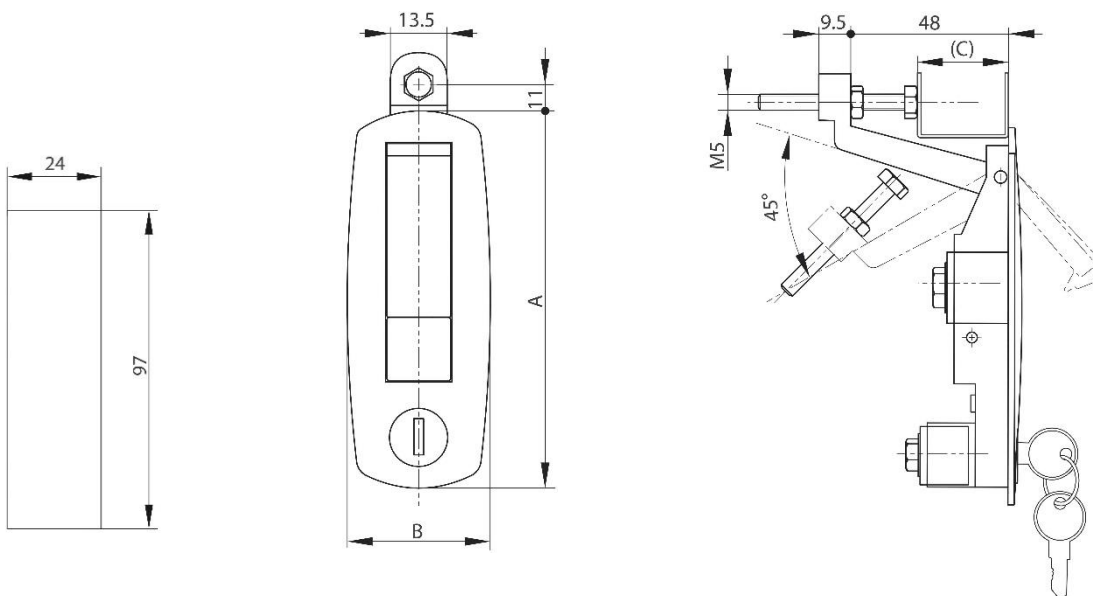
Adjustable clamping area from 1-35mm

Supplied with a mounting plate and screws made of galvanized steel.



Article no.				Dimensions in mm		
Series	Execution	Material		A	B	C
		Black coated Zamak				
6335	.11	.59	With lock	106	42	1-35
6335	.12	.59	Without lock	106	42	1-35

Dimensions and hole preparations:



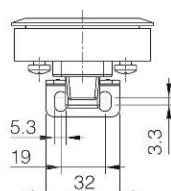
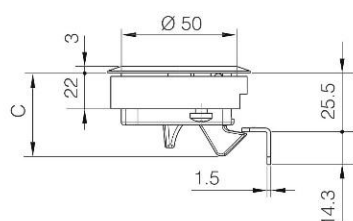
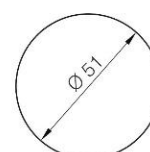
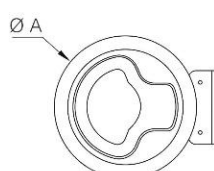
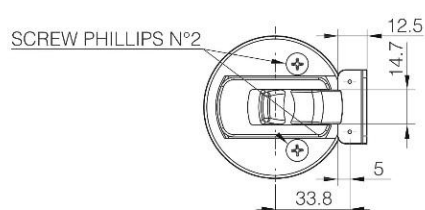
Locking devices and mechanic catches

Art.no.: 6380

Snap lock

Material: UL94 - HB ABS.

Article no.			Dimensions in mm		Weight (g)	
Series	Execution	Material		A	B	58
		White	Black			
6380	.01	.81	.80	61	35.5	

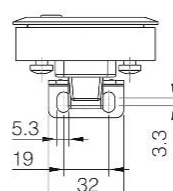
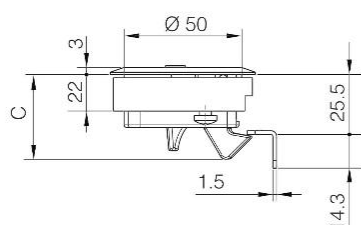
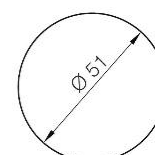
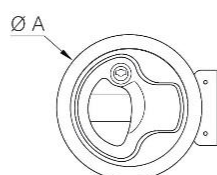
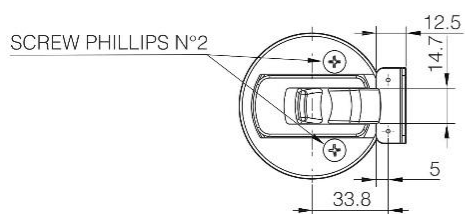


Art.no.: 6381

Lockable snap lock

Material: UL94-HB ABS.

Article no.			Dimensions in mm		Weight (g)	
Series	Execution	Material		A	B	58
		Black	Plastic			
6381	.01	.80	.80	61	35.5	



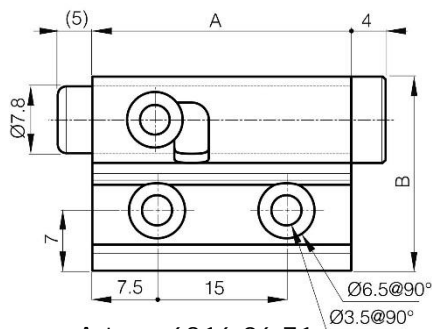
Locking devices and mechanic catches

Art.no.:6316

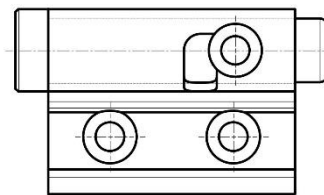
small aluminium bolt with return spring.



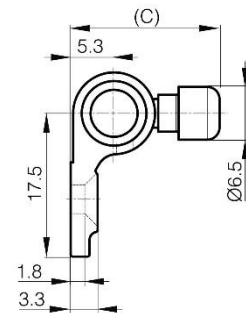
Article no.			Dimensions in mm		
Series	Execution	Material	A	B	C
		Colourless anodized Aluminium			
6316	.06 (Typ 2)	.71	30	22.5	18.2
6316	.07 (Typ 1)	.71	30	22.5	18.2



Art no: 6316.06.71



Art no: 6316.07.71



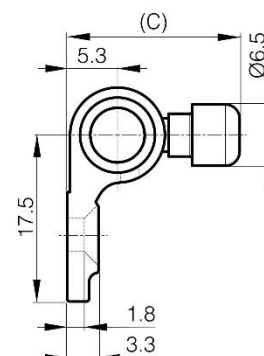
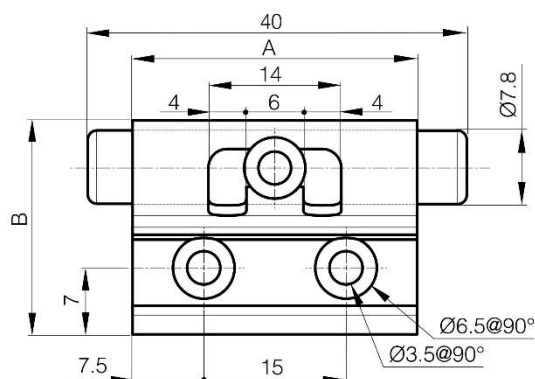
Art.no.:6316

Small aluminium lock bolt.

Bolt protrusion: 10mm (closed position)
Locking plate is not part of the scope of delivery.



Article no.			Abmessungen in mm		
Series	Execution	Material	A	B	C
		Colourless anodized Aluminium			
6316	.08	.71	30	22.5	18.2



Locking devices and mechanic catches



Phone:
Fax:
Email:
Homepage:

+49 (0) 231 / 725 790 -0
+49 (0) 231 / 725 790 -10
info@hokon-verschlusstechnik.de
www.hokon-verschlusstechnik.de