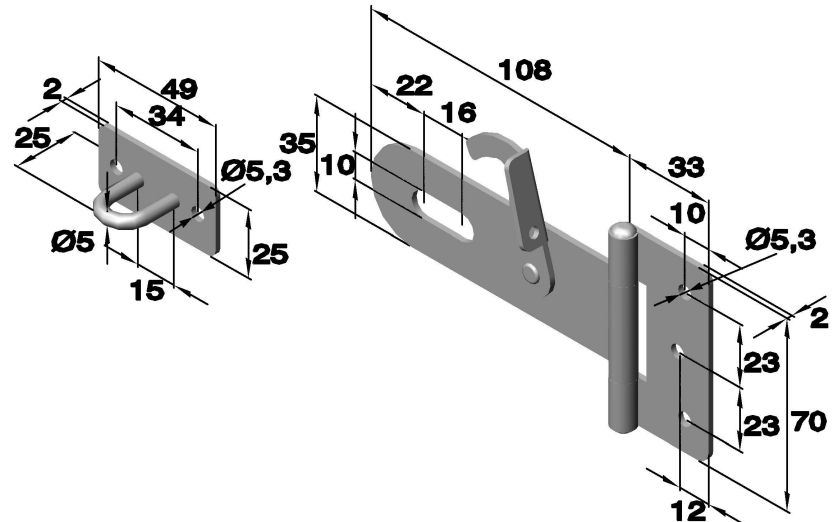




Hasps



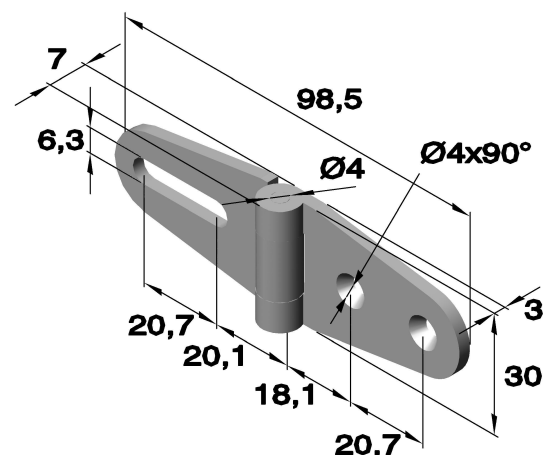
Art. no.: 3045 (perforated)
Hasp with lock bracket



Article no.	
Series	Material
	Zinc plated
	Steel
3045	.04

Art. no.: 6028.01 (perforated and countersunk)
Hasp

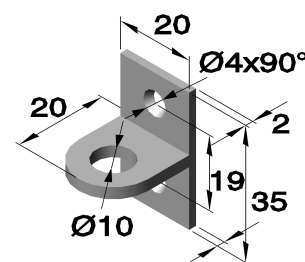
Suitable lock bracket:
Art. no.: 6029.01.23



Article no.	
Series	material
	Chrome plated
	Brass
6028.01	.23

Art. no.: 6029.01 (perforated and countersunk)
Lock bracket

Suitable hasp:
Art. no.: 6028.01.23



Article no.	
Series	Material
	Chrome plated
	Brass
6029.01	.23