



## Magnetic catches



Art.:6470.25



Art.:6470.04



Art.:6470.30



Art.:6470.06



Art.:6470.07



Art.:6470.09



Art.:6470.15



Art.:6470.08



Art.:6470.28



Art.:6470.17



Art.:6470.12



Art.:6470.13



Art.:6470.14



Art.:6470.01



Art.:6470.16



Art.:6470.32



Art.:6470.11



Art.:6470.11.08



Art.:6470.16



Art.:6470.18



Art.:6470.19



Art.:6470.21

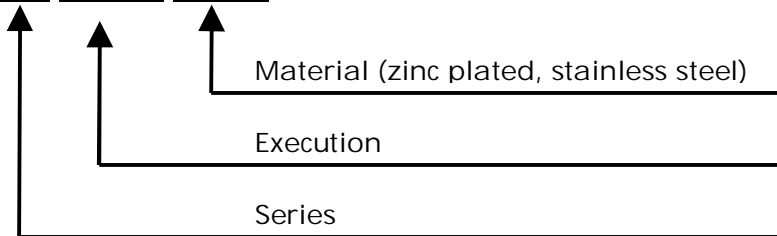


Art.:6470.29

## Magnetic catches

Ordering example:

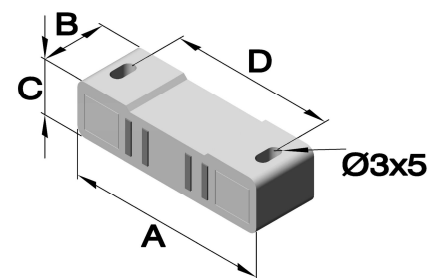
Art.no 6072 01/02 04/30



Art. no.: 6470.01

Magnetic catches

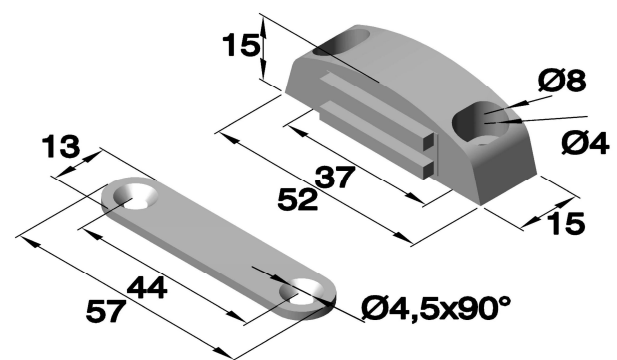
Article no.			Dimensions in mm				Force in kg
Series	Execution	Material	A	B	C	D	
6470	.01	Plastic	48,5	16,5	13	39	4



Art.no. 6470.04

Magnetic catches with striking plate

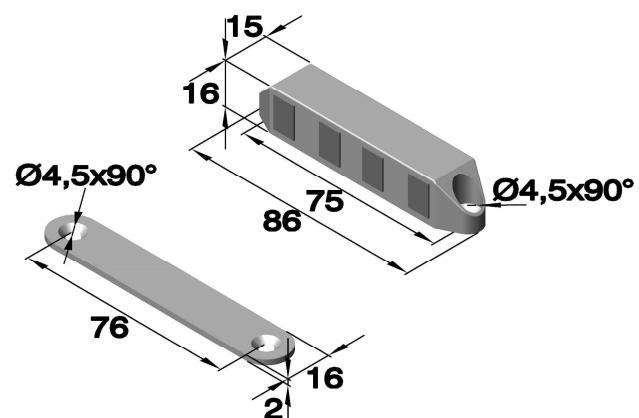
Article no.			Force in kg
Series	Execution	Material	
6470	.04	Zamak	4



Art. no.: 6470.06

Magnetic catches with striking plate

Article no.			Force in kg	Temp. in C°
Series	Execution	Material		
6470	.06.01	Zamak	8	up to 80°
6470	.06.02	Nickel-plated	8	up to 300°

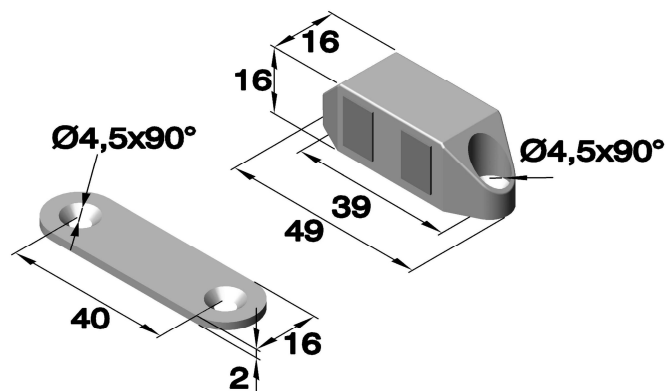


## Magnetic catches

Art. no.: 6470.07

Magnetic catches with striking plate

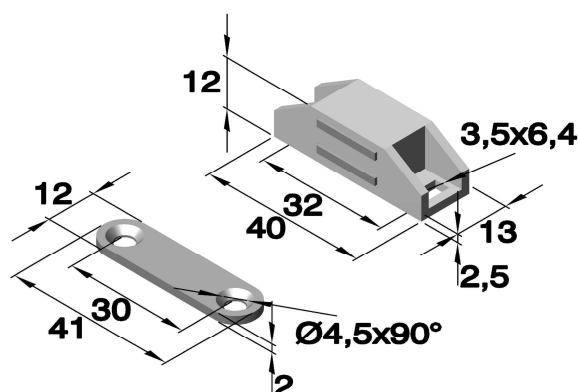
Article no.			Force in kg	Temp. in C°
Series	Execution	Material		
6470	.07.01	Nickel-plated Zamak	4	up to 80°
6470	.07.02	Nickel-plated	4	up to 300°



Art. no.: 6470.08

Magnetic catches with striking plate

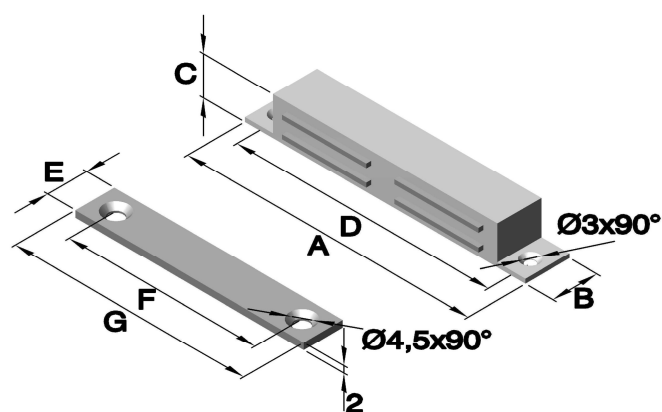
Article no.			Force in kg
Series	Execution	Material	
6470	.08	White Plastic	2-3



Art. no.: 6470.09

Magnetic catches with striking plate

Article no.			Dimensions in mm							Force in kg
Series	Execution	Material	A	B	C	D	E	F	G	
6470	.09.01	White Plastic	86	13	15	77	12	57	70	4,8
6470	.09.02	White	105,3	16	18	94	14	65	79	5,6

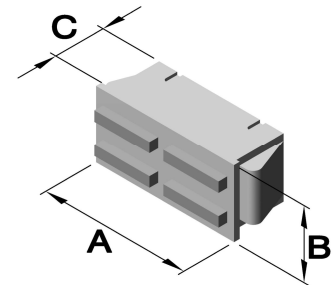
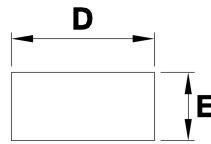


## Magnetic catches

Art. no.: 6470.11

Hole pattern

Magnetic catches



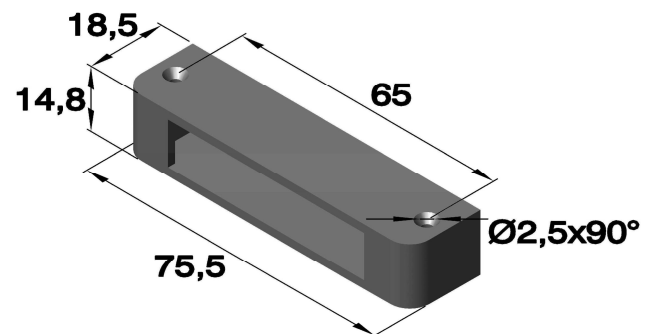
Article no.			Dimensions in mm						Sheet thickness	Force in kg
Series	Execution	Material	A	B	C	D	E			
6470	.11.01	White	25,5	12,3	10,4	23	11	1,5	1,5	
6470	.11.02	White	25,5	9,6	11	23	8,2	1,5	1,8	
6470	.11.03	White	39,5	10	11	35	8,2	1,5	4	
6470	.11.04	Black	54	12,5	14,5	51,5	10,8	2,0	15	

Art. no.: 6470.11.08

Housing for

Art. no.: 6470.11.04

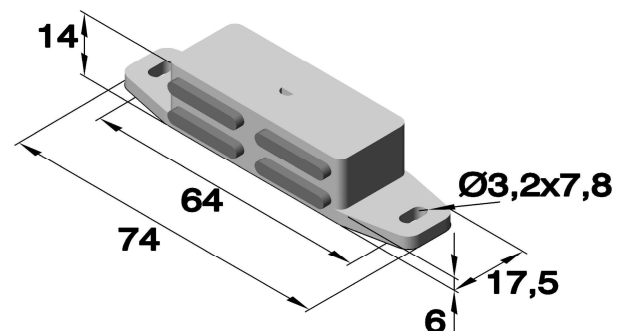
Article no.		
Series	Execution	Material
6470	.11.08	Black



Art. no.: 6470.12

Magnetic catches

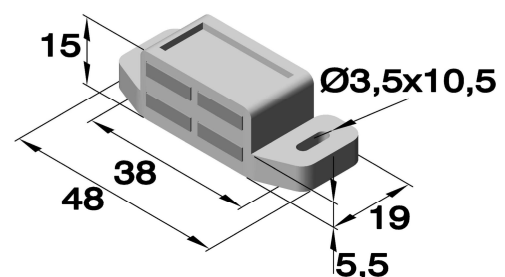
Article no.			Force in kg
Series	Execution	Material	
6470	.12	White	12



Art. no.: 6470.13

Magnetic catches

Article no.			Force in kg
Series	Execution	Material	
6470	.13	White	4

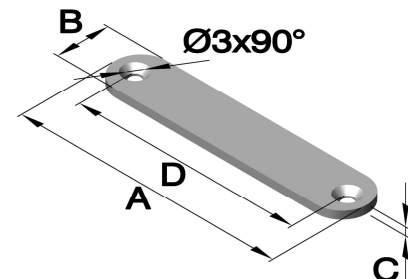


## Magnetic catches

Art. no.: 6470.14

Striking plate for Art. no.: 6470.11  
Art. no.: 6470.11  
Art. no.: 6470.13

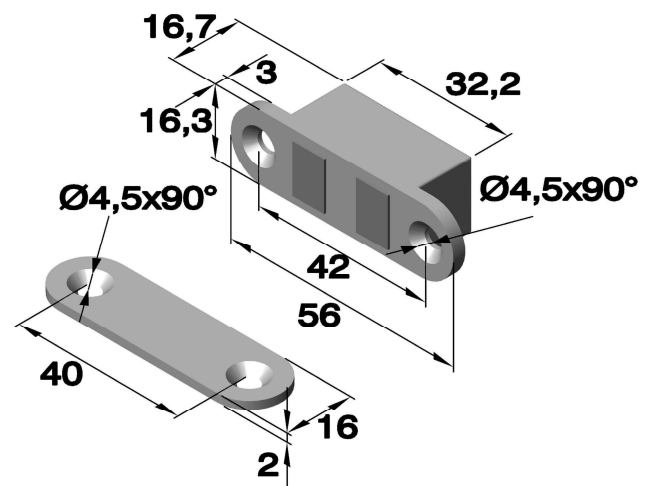
Article no.			Dimensions in mm			
Series	Execution	Material	A	B	C	D
		Steel				
6470	.14.02	Zinc plated	41	14	1,5	31
6470	.14.04	Zinc plated	66	12	2	54



Art. no.: 6470.15

Magnetic catches with striking plate

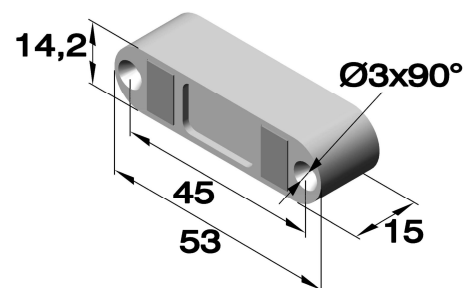
Article no.			Force in kg	Temp. in C°
Series	Execution	Material		
		6470	.15	Nickel-plated



Art. no.: 6470.16.01

Magnetic catches

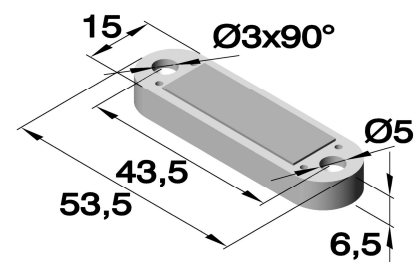
Article no.			Force in kg
Series	Execution	Material	
		6470	.16.01



Art. no.: 6470.16.02

Striking plate for Art. no.: 6470.16.01

Article no.		
Series	Execution	Material
		6470

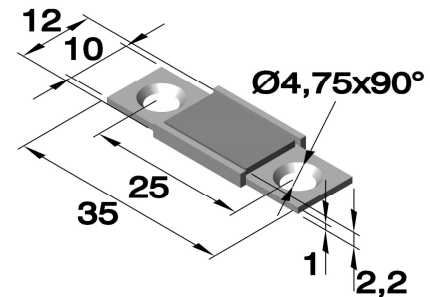


## Magnetic catches

Art. no.: 6470.17

Magnetic catches

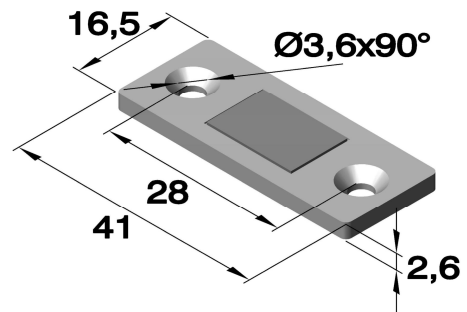
Article no.			Force in kg	Temp. in C°
Series	Execution	Material Steel		
6470	.17	Nickel-plated	2,7	up to 80°



Art. no.: 6470.28

Magnetic catches

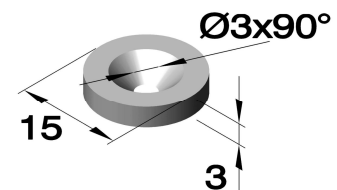
Article no.			Force in kg	Temp. in C°
Series	Execution	Material Steel		
6470	.28.01	Nickel-plated	4	up to 80°



Art. no.: 6470.18

Striking plate for Art. no.: 6470.19.04  
Art. no.: 6470.20.07  
Art. no.: 6470.21.70  
Art. no.: 6470.22.70

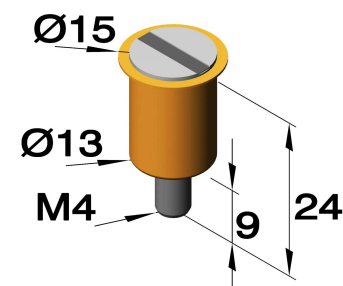
Article no.			Material Steel
Series	Execution		
6470	.18.04		Zinc plated



Art. no.: 6470.19

Retractable magnetic catches

Article no.			Sheet thickness in mm	Force in kg
Series	Execution	Material Steel		
6470	.19.04	Zinc plated	max 16	5

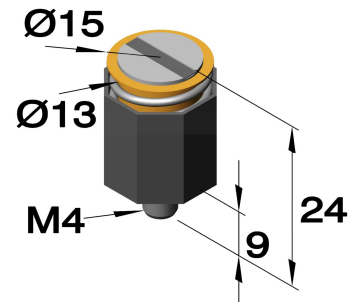


## Magnetic catches

Art. no.: 6470.20

Retractable magnetic catches

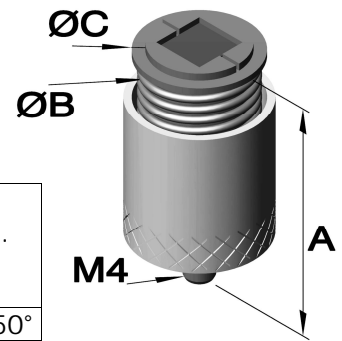
Article no.				Sheet thickness in mm	Force in kg
Series	Execution	Material			
		Steel	Plastic		
6470	.20.07	Zinc plated	Black	max 3	4,2



Art. no.: 6470

Retractable magnetic catches

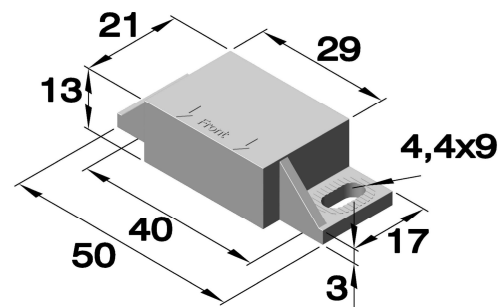
Article no.				Dimensions in mm				Force in kg	Temp. in C°
Series	Execution	Material		A	B	C	Sheet thickness		
		Steel	Aluminium						
6470	.21.70	Zinc plated	Raw	26	13	15	max 3	4,2	up to 250°
6470	.22.70	Zinc plated	Raw	31	16	20	max 3	8	up to 250°



Art. no.: 6470

Magnetic catches

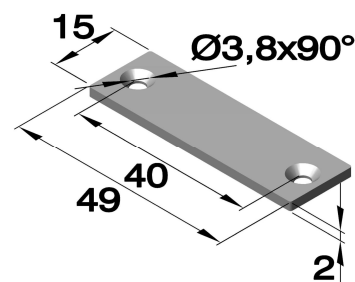
Article no.				Force in kg
Series	Execution	Material		
		Steel	Plastic	
6470	.25.01	White		3
6470	.27	Black		3



Art. no.: 6470.26

Striking plate for Art. no.: 6470.25.01  
Art. no.: 6470.27

Article no.			
Series	Execution	Material	
		Steel	Plastic
6470	.26	Stainless steel	.30



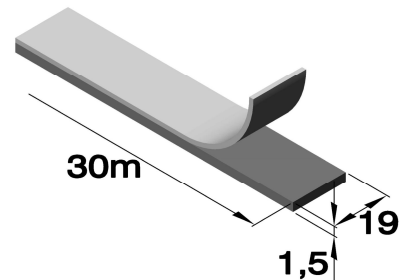


## Magnetic catches

Art. no.: 6470.29

Adhesive magnetic tape

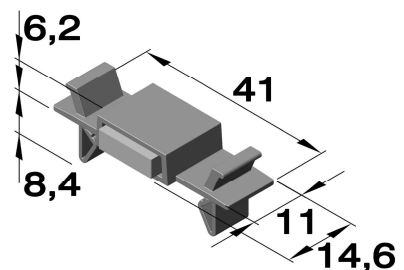
Article no.			Force in g/cm <sup>2</sup>	Temp. in C°
Series	Execution	Material flexible magnet		
6470	.29	adhesive	55	up to 100°



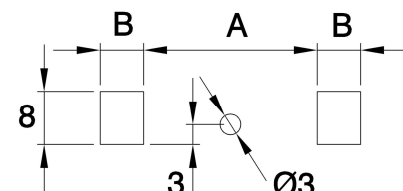
Art. no.: 6470

Magnetic catches

Article no.			Sheet thickness in mm	Force in kg
Series	Execution	Material Plastic		
6470	.30	Black	1,6 und 2,6	1,2
6470	.31	Black	1,6 und 2,6	3



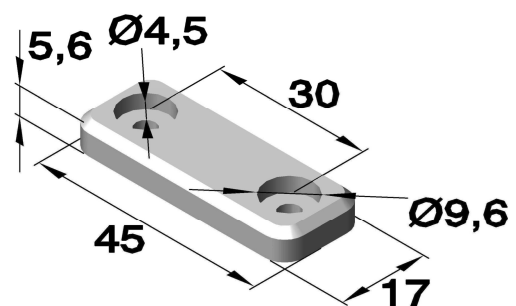
Hole pattern		
Sheet thickness	A	B
1,6 mm	26	6,5
2,6mm	24,6	5,8



Art. no.: 6470.32

Magnetic catches

Article no.			Force in kg
Series	Execution	Material Plastic	
6470	.32.01	White	3



Art. no.: 6470.32

Striking plate for art. no.: 6470.32.01

Article no.		
Series	Execution	Material Plastic
6470	.32.02	White

