

## Hood catches

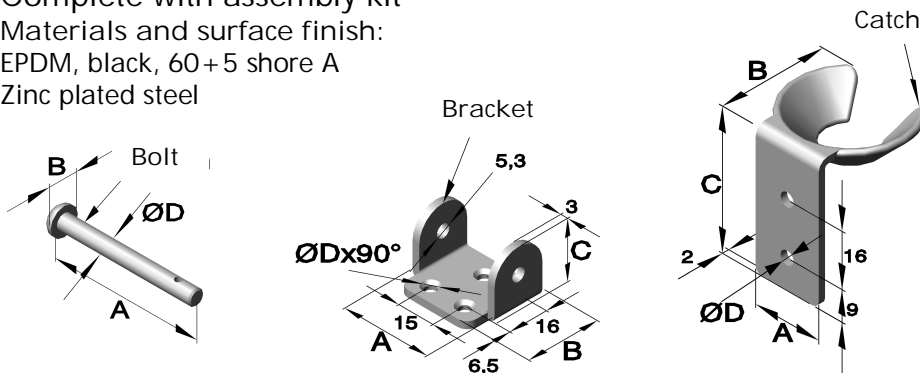
Art. no.: 7020 „hood catches big“

Complete with assembly kit

Materials and surface finish:

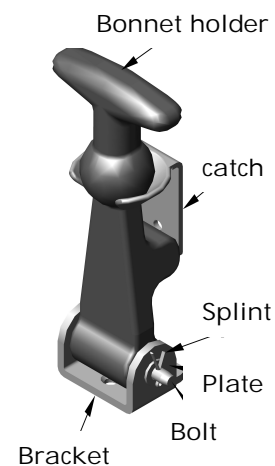
EPDM, black, 60+5 shore A

Zinc plated steel



Delivery of individual parts is possible

| Article no. |                   | Description  | Dimensions in mm |    |     |     |
|-------------|-------------------|--------------|------------------|----|-----|-----|
| Series      | Material          |              | A                | B  | C   | Ø D |
| 7001        | EPDM, black       | hood catches | 60               | 26 | 124 | 5   |
| 7005        | zinc plated steel | catch        | 20               | 29 | 42  | 4,2 |
| 7006        | zinc plated steel | bracket      | 30               | 30 | 24  | 4,2 |
| 7007        | zinc plated steel | bolts        | 47               | 9  | -   | 5   |
| 7008        | zinc plated steel | plate        | -                | -  | -   | -   |
| 7009        | zinc plated steel | splint       | -                | -  | -   | -   |



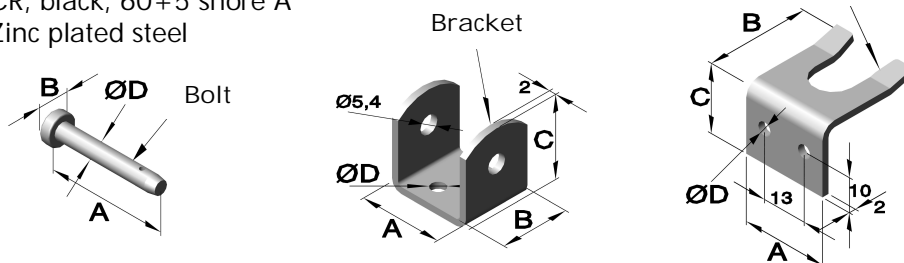
Art. no.: 7050 „hood catches small“

Complete with assembly kit

Materials and surface finish:

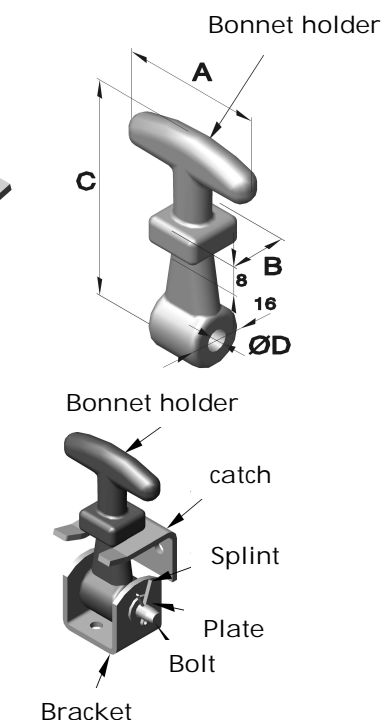
CR, black, 60+5 shore A

Zinc plated steel



Delivery of individual parts is possible

| Article no. |                   | Description  | Dimensions in mm |    |    |     |
|-------------|-------------------|--------------|------------------|----|----|-----|
| Series      | Material          |              | A                | B  | C  | Ø D |
| 7030        | CR, black         | hood catches | 40               | 16 | 64 | 5   |
| 7035        | zinc plated steel | catch        | 24               | 20 | 24 | 4,2 |
| 7036        | zinc plated steel | bracket      | 24               | 20 | 24 | 4,2 |
| 7037        | zinc plated steel | bolts        | 35               | 9  | -  | 5   |
| 7038        | zinc plated steel | plate        | -                | -  | -  | -   |
| 7039        | zinc plated steel | splint       | -                | -  | -  | -   |



## Hood catches

### Art.Nr.:6388 „Flexible T-handle latch“

T-handle and holder made of rubber



| Article no. |           | Material | Dimensions in mm |    |    |
|-------------|-----------|----------|------------------|----|----|
| Series      | Execution | rubber   | A                | B  | C  |
| 6388        | .01       | .97      | 112              | 47 | 34 |

