



Quarter turns



Quarter turns



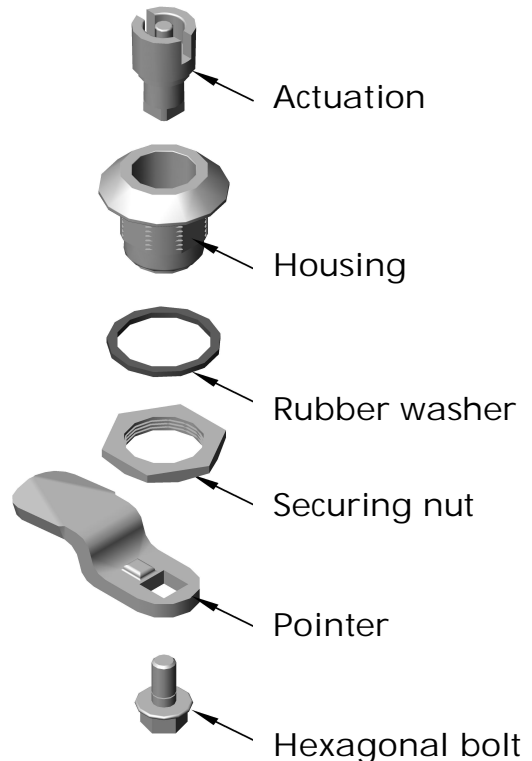
Quarter turns

Quarter-turns have been inserted in the most varied technical ranges, because of their qualitative characteristics, as for example a certified degree of protection IP 65 according to IEC 529 or DIN 40 050, certified corrosion resistance according to DIN 50 958 and coulometrically certified chromate thickness according to DIN 50 955.

Running controls of the zinc die-cast structure guarantee a homogenous and cavity-free cast iron and with it an unusually high tear-strength of the housing head.

Quarter turns are already being used in the following ranges:

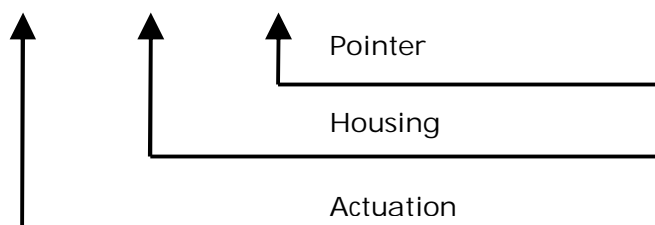
Climate and ventilation technologies, switchyard and electronic control system, measuring and control technology, machine construction (noise insulation, hydraulics, pneumatics, protecting coverings), IT equipment, vehicle construction, construction of tools and apparatuses



	GD-Zn A14 Cu1	Abbreviation
tensile strength	28-35	kp/mm ²
ultimate strain	2-5	%
flexural impact strength	7-11	cmkp/mm ²
shear strength	25-29	kp/mm ²
compression strength	58-65	kp/mm ²
melting range	380-386	°C
heat conductivity	0.22-0.24	cal/cm sec °C
electrical conductivity	15-16	m/Ohm mm ²
elasticity modulus	13000	kp/mm ²
linear coefficient of expansion	0.000027	pro °C from 20 up to 100°C

Ordering example:

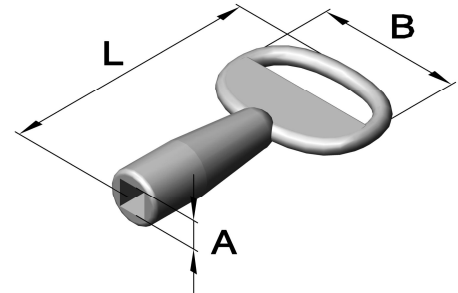
Art.no. BDB3 / DG32 / ZH18



Quarter turns

Mini turning lock key

Article no.		Dimensions in mm		
Series	material	A	B	L
	Zamak			
for square operating „BVK“				
SVK 6	black	□6,2	34	55
for triangular operating „BDK“				
SDK 6,5	black	Δ6,5	34	55

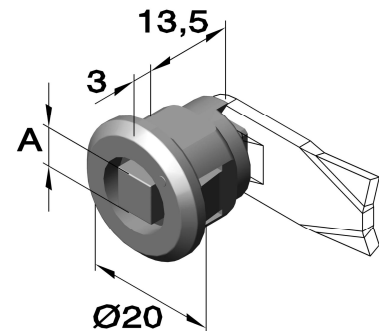
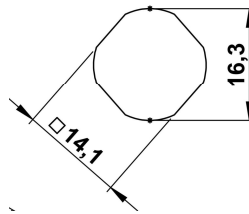


Clip mini turning lock „CD“

Closing stroke 90°

For sheet thickness 0,8-1,5mm

Off 2000 articles on request.

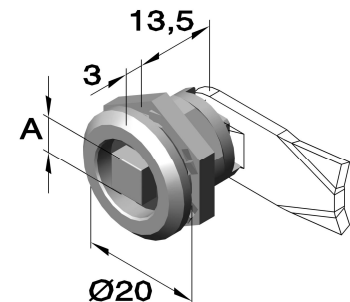
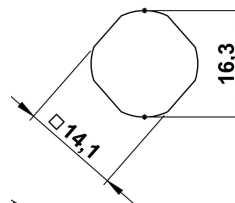


Please complement the art no. for the switch (Art.no. MZH)

Article no.			Material	Dimensions in mm
Series	Actuation	Switch	Black	A
			Plastic	
CDG-20	/ BVK 6 /	no. complement	.87	□6
CDG-20	/ BDK 6 /	no. complement	.87	Δ6,5
CDG-20	/ BS /	no. complement	.87	1,5

Mini turning lock „DG“

Closing stroke 90°



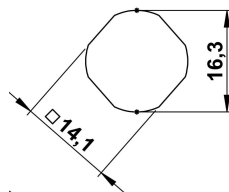
Please complement the art no. for the switch (art.no. MZH)

Article no.				Material				Dimensions in mm
Series	Execution	Actuation	Switch	Zamak		Stainless steel	Plastic	A
				Chrome plated	Black coated			
DG-20	.01	/ BVK 6 /	no. complement	.53	.57	.30	.87	□6
DG-20	.01	/ BDK 6 /	no. complement	.53	.57	.30		Δ6,5
DG-20	.01	/ BS	no. complement	.53	.57	.30	.87	Δ6,5

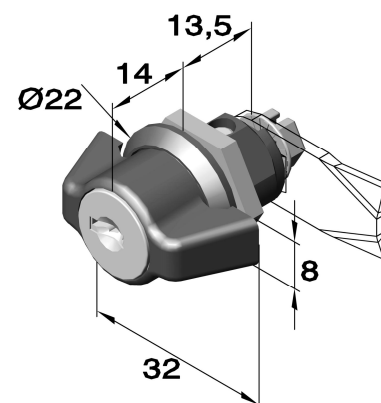
Quarter turns

Mini wing turning lock „FD “

Closing stroke 90°



Please complement the art no. for the switch (Art.no. MZH)

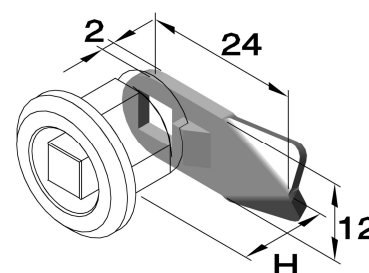


Article no.		Material		Closure
Series	Execution	Zamak		
		Chrome plated	Black	
FD-32	- 00	.53	.57	without key
FD-32	- 01	.53	.57	simultaneous locking (with resemble keys)
FD-32	- 02	.53	.57	different locking (with different keys)

Mini switch „MZH “

closing stroke 90°

Please complement the art no. for the switch (Art.no. MZH)

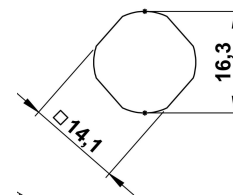
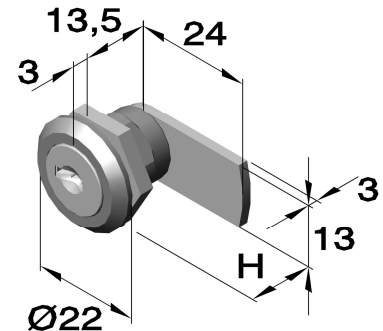


Article no.		Dimensions in mm	
Series	Material		H
	Steel		
	Zinc plated		
MZH 7,5-24	.04		7,5
MZH 13,5-24	.04		13,5
MZH 19,5-24	.04		19,5

Quarter turns

Mini turning lock lockable „DA “

Closing stroke 90°

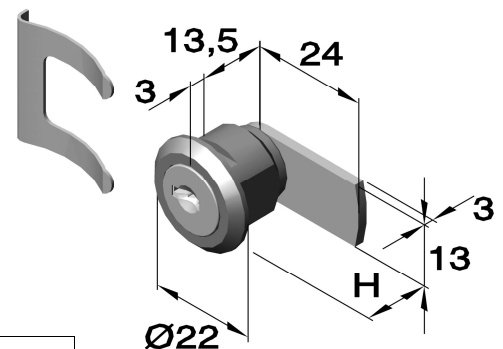


Article no.		Material		Dimensions in mm	Closure
Series	Execution	Chrome plated Zamak	Black Plastic		
DA 22	-01	.53	.87	H = 7,5	simultaneous locking (with resemble keys)
DA 22	-02	.53	.87	H = 13,5	simultaneous locking (with resemble keys)
DA 22	-03	.53	.87	H = 19,5	simultaneous locking (with resemble keys)
DA 22	- 04	.53	.87	H = 7,5	different locking (with different keys)
DA 22	- 05	.53	.87	H = 13,5	different locking (with different keys)
DA 22	- 06	.53	.87	H = 19,5	different locking (with different keys)

Mini turning lock lockable „DA 22F“

Closing stroke 90°

Off 100 articles on request.

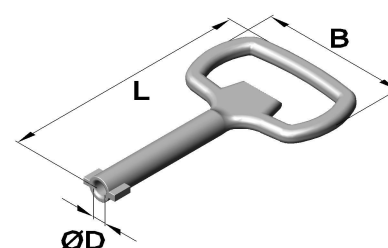


Article no.		Material		Dimensions in mm	Closure
Series	Execution	Chrome plated Zamak			
DA 22F	-01	.53		H = 7,5	simultaneous locking (with resemble keys)
DA 22F	-02	.53		H = 13,5	simultaneous locking (with resemble keys)
DA 22F	-03	.53		H = 19,5	simultaneous locking (with resemble keys))
DA 22F	- 04	.53		H = 7,5	different locking (with different keys)
DA 22F	- 05	.53		H = 13,5	different locking (with different keys)
DA 22F	- 06	.53		H = 19,5	different locking (with different keys)

Quarter turns

Quarter turn key

Article no.		Dimensions in mm	
Series	Material	D	L
	Black		
for double bit operating „BDB “			
SDB 3	Zamak	Ø3,2	90
SDB 5	Zamak	Ø5,2	90
for triangular operating „BDK “			
SDK 7	Zamak	Δ7,2	78
SDK 8	Zamak	Δ8,2	78
for square operating „BVK “			
SVK 7	Zamak	□7,2	78
SVK 8	Zamak	□8,2	78

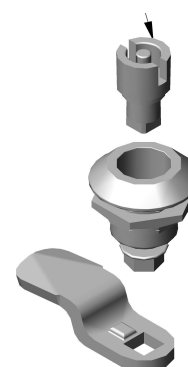


Actuations

Stainless steel (V4A) raw on request

Article no.					Dimensions in mm	Actuation
Series	material					
	Chrome plated	Black	Zamak	Stainless steel	plastic	
Actuation „Square“						
BVK 7	Chrome plated	.57	VA	KST	□7	
BVK 8	Chrome plated	.57	VA	KST	□8	
BVK 8 S	Chrome plated	-	VA	-	□8	
Actuation „Triangular“						
BDK 7	Chrome plated	.57	VA	-	Δ7	
BDK 8	Chrome plated	.57	VA	KST	Δ8	
Actuation „Double bit“						
BDB 3	Chrome plated	.57	VA	KST	Ø3	
BDB 5	verchromt	.57	VA	KST	Ø5	

actuation



Quarter turns

Housing „DG “

Strong execution, closing stroke 90°

Material and surfaces:

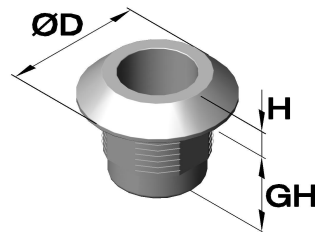
Zinc die cast (Zamak) chrome plated

Zinc die cast (Zamak) black coated

Stainless steel (V2A) raw

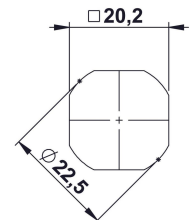
Stainless steel (V4A) raw on request

Plastic (KST) black



Please insert the Art no. for the operating mechanism and for the latch.

Article no.					Dimensions in mm		
Series	Material				Ø D	GH	H
	Chrome plated Zamak	Black Zamak	Raw Stainless steel	Black Plastic			
DG 28-4	Chrome plated	.57	VA	KST	28	18	4
DG 30	Chrome plated	-	-	-	30	18	4
DG 32	Chrome plated	.57	VA	KST	32	18	6



extended

Housing „DG “

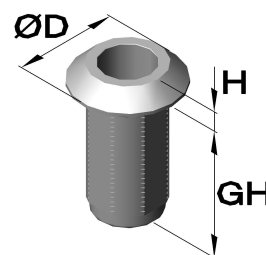
Strong execution, closing stroke 90°

Material and surfaces:

Zinc die cast (Zamak) chrome plated

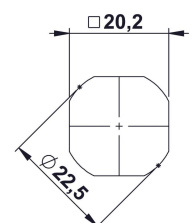
Stainless steel (V2A) raw

Stainless steel (V4A) raw on request



Please insert the Art no. for the operating mechanism and for the latch.

Article no.			Dimensions in mm		
Series	Material		Ø D	GH	H
	Chrome plated Zamak	Raw Stainless steel			
DG 32-30/1	Chrome plated	VA	32	30	6
DG 32-36/1	Chrome plated	VA	32	36	6
DG 32-40/1	Chrome plated	VA	32	40	6
DG 32-50/1	Chrome plated	VA	32	50	6
DG 32-60/1	Chrome plated	VA	32	60	6



Quarter turns

Quarter turn lockable „DA “

Strong execution, closing stroke 90°

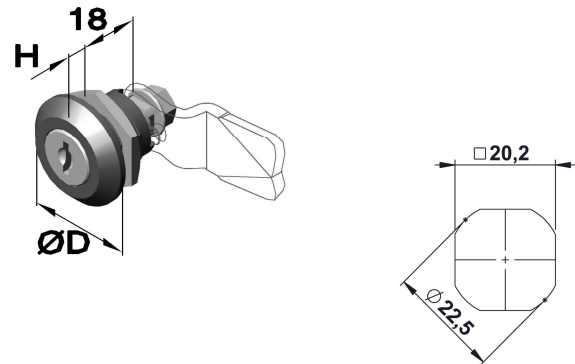
Material and surfaces:

Zinc die cast (Zamak) chrome plated

Stainless steel seawater resistant (V4A) raw

Zinc die cast (Zamak) black coated

Plastic (KST) black



Please insert the art no. for the latch (Art.no. ZH)

Series	Execution	Article no.				Dimensions in mm		Closure
		Material				Ø D	H	
		Chrome plated Zamak	Raw Stainless steel	Coated Zamak	Black Plastic			
DA 28	-01	Chrome plated	.35	.57	KST	28	6	simultaneous locking (with resemble keys)
DA 32	-01	Chrome plated	-	.57	KST	32	6	simultaneous locking (with resemble keys)
DA 28	-02	Chrome plated	.35	.57	KST	28	6	different locks (with different keys)
DA 32	-02	Chrome plated	-	.57	KST	32	6	different locks (with different keys)

Wing handle quarter turn „FG “

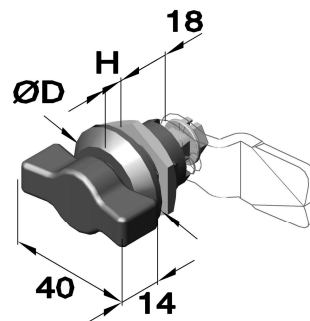
Strong execution, closing stroke 90°

Material and surfaces:

Zinc die cast (Zamak) chrome plated

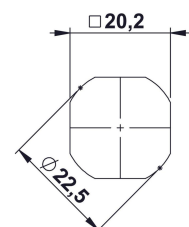
Zinc die cast (Zamak) black coated

Plastic (KST) black



Please insert the art no. for the latch (Art.no. ZH)

Series	Execution	Article no.		Dimensions in mm	
		Material		Ø D	H
		Black Zamak	Black Plastic		
FG /	DG 28-4	.57	.87	28	4
FG /	DG 32	.57	.87	32	6



Quarter turns

Wing quarter turn „FD “

Strong execution, closing distance 90°

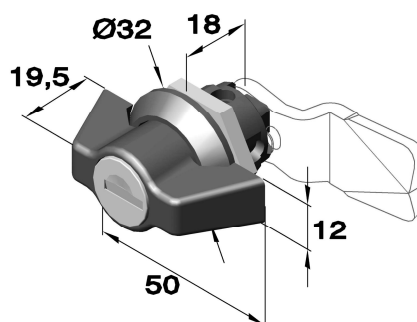
Material and surfaces:

Zinc die cast (Zamak) chrome plated

Zinc die cast (Zamak) black coated

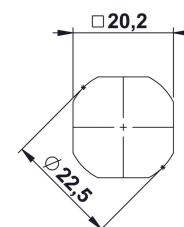
Stainless steel seawater resistant (V4A) raw

Plastic (KST) black



Please insert the art no. for the latch (Art.no. ZH)

Series	Execution	Article no.				Closure
		Material				
		Chrome plated Zamak	Black Zamak	Raw Stainless steel	Black Plastic	
FD-50	- 00	.53	.57	.30	.87	without lock
FD-50	- 01	.53	.57	.30	.87	simultaneous locking (with resemble keys)
FD-50	- 02	.53	.57	.30	.87	different locks (with different keys)



Wing quarter turn for padlock „FDV-50“

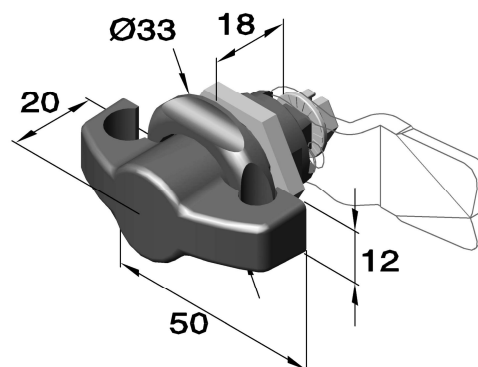
Strong execution, closing stroke 90°

For clamp Ø4,5-Ø10mm

Material and surfaces:

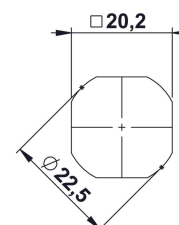
Zinc die cast (Zamak) black powdered

Stainless steel seawater resistant (V4A) raw



Please insert the art no. for the latch (Art.no. ZH)

Series	Article no.	
	Material	
	Raw Stainless steel	Black Zamak
FDV-50	.35	.57



Quarter turns

T-handle quarter turn „DK-60

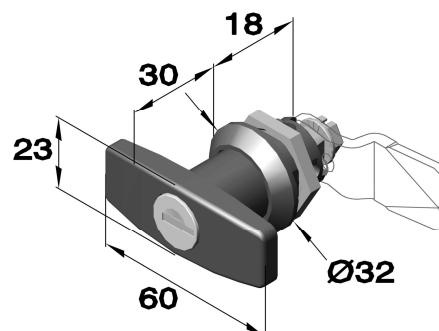
Strong execution, closing stroke 90°

Material and surfaces:

Plastic (KST) black-(handle)

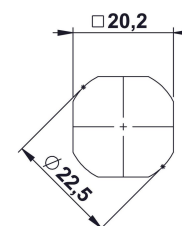
Zinc die cast (Zamak) black powdered-(housing)

Different lock off 100 articles



Please insert the art no. for the latch (Art.no. ZH)

Article no.			Closure
Series	Execution	Material	
		Black Zamak	
DK-60	-00	.57	without lock
DK-60	-01	.57	simultaneous locking (with resemble keys)
DK-60	-02	.57	different locks (with different keys)



Quarter turn-clamp handle „DK-80“

Strong execution, closing stroke 90°

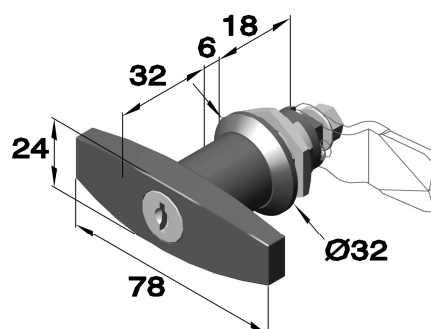
Material and surfaces:

Zinc die cast (Zamak) chrome plated

Zinc die cast (Zamak) black coated

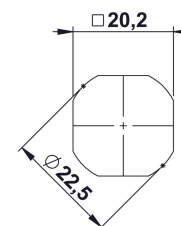
Stainless steel seawater resistant (V4A) raw

Plastic (KST) black



Please insert the art no. for the latch (Art.no. ZH)

Article no.						Closure
Series	Execution	Material				
		Chrome plated Zamak	Black Zamak	Raw Stainless steel	Black Plastic	
DK-80	-00	Chrome plated	.57	VA	Black	without lock
DK-80	-01	Chrome plated	.57	VA	Black	simultaneous locking (with resemble keys)
DK-80	-02	Chrome plated	.57	VA	Black	different locks (with different keys)



Quarter turns

Quarter turn-lever handle „DH “

Strong execution, closing stroke 90°

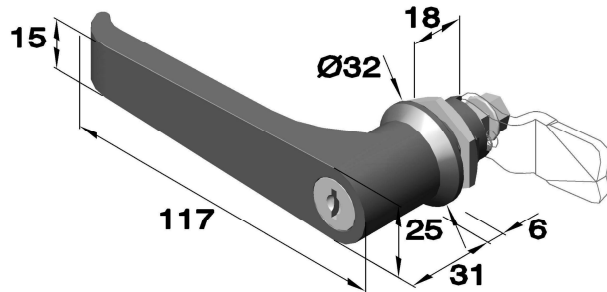
Material and surfaces:

Zinc die cast (Zamak) chrome plated

Zinc die cast (Zamak) black coated

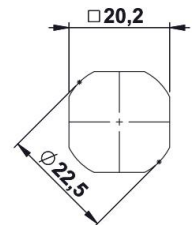
Stainless steel seawater resistant (V4A) raw

Plastic (KST) black



Please insert the art no. for the latch (Art.no. ZH)

Series	Execution	Article no.				Closure
		Material				
		Chrome plated Zamak	Black Zamak	Raw Stainless steel	Black Plastic	
DH-12	-00	Chrome plated	.57	VA	Black	without key
DH-12	-01	Chrome plated	.57	VA	Black	simultaneous locking (with resemble keys)
DH-12	-02	Chrome plated	.57	VA	Black	different locks (with different keys)



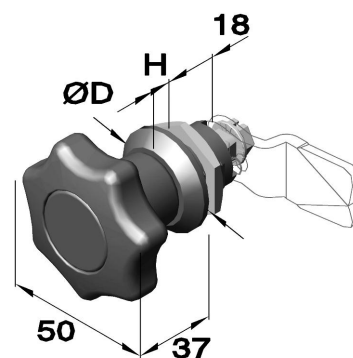
Star handle- quarter turn „SG “

Strong execution, closing stroke 90°

Material and surfaces:

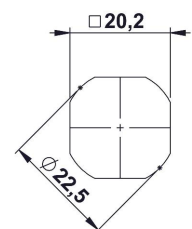
Plastic (KST) black-(handle)

Zinc die cast (Zamak) black powdered-(housing)



Please insert the art no. for the latch (Art.no. ZH)

Series	Execution	Article no.		Dimensions in mm	
		Material		Ø D	H
		Black	Plastic		
SG /	DG 28-4	.87		28	4
SG /	DG 32	.87		32	6

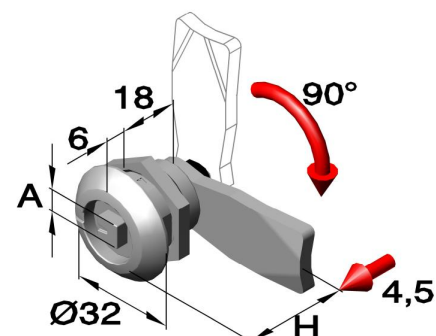


Quarter turns

Compression quarter turn „KD-18“ with spring and composition, closing stroke 90°

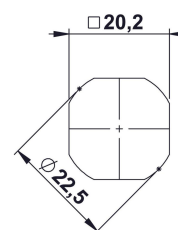
Compression travel 4,5mm

Material and surfaces:
Zinc die cast (Zamak) black powdered



Please insert the art no. for the latch without tappet (Art.no. ZH)

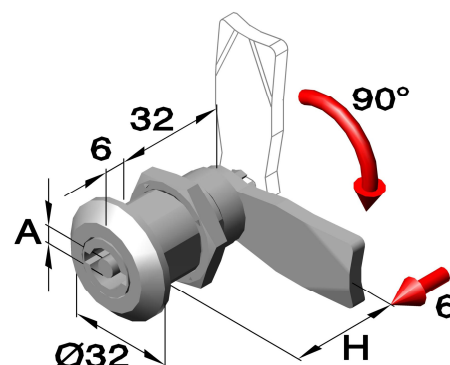
Article no.			Material	Dimensions in mm
Series	Actuation	Switch	Black Zamak	
KD-18	/ BDB 3 /	no. complement	.57	Ø3
KD-18	/ BDB 5 /	no. complement	.57	Ø5
KD-18	/ BDK 8 /	no. complement	.57	Δ8
KD-18	/ BVK 8/	no. complement	.57	□8



Compression quarter turn „KD-32“ with spring and composition, closing stroke 90°

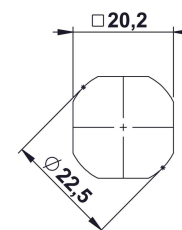
Compression travel 6mm

Material and surfaces:
Zinc die cast (Zamak) black powdered
Stainless steel seawater resistant (V4A) raw



Please insert the art no. for the latch (Art.no. ZH)

Article no.			Material		Dimensions in mm
Series	Actuation	Switch	Raw Stainless steel	Black Zamak	
KD-32	/ BDB 3 /	no. complement	.30	.57	Ø3
KD-32	/ BDB 5 /	no. complement	.30	.57	Ø5
KD-32	/ BDK 7 /	no. complement	-	.57	Δ7
KD-32	/ BDK 8 /	no. complement	-	.57	Δ8
KD-32	/ BVK 7/	no. complement	-	.57	□7
KD-32	/ BVK 8/	no. complement	.30	.57	□8

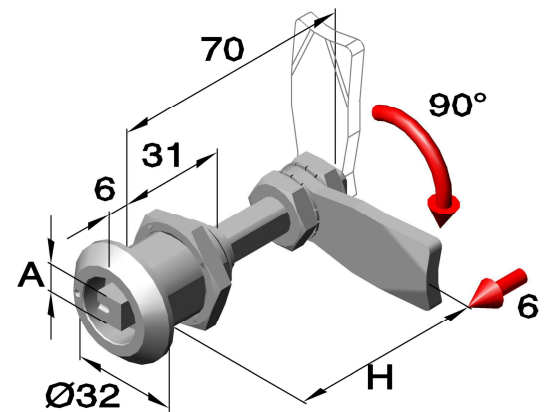


Quarter turns

Compression quarter turn „KD-70“ with spring and composition, closing stroke 90°

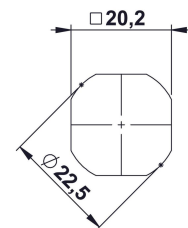
Compression travel 6mm

Material and surfaces:
Zinc die cast (Zamak) black powdered



Please insert the art no. for the latch without tappet (Art.no. ZH)

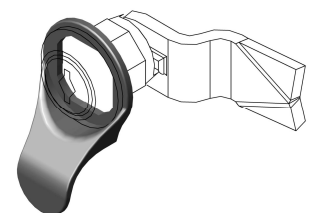
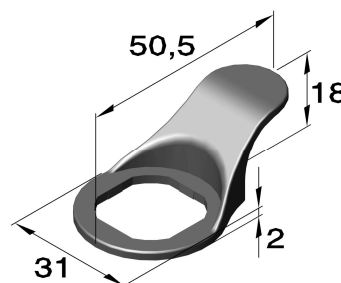
Article no.			Material	Dimensions in mm
Series	Actuation	Switch	Black Zamak	
KD-70	/ BDB 3 /	no. complement	.57	Ø3
KD-70	/ BDB 5 /	no. complement	.57	Ø5
KD-70	/ BDK 7 /	no. complement	.57	Δ7
KD-70	/ BDK 8 /	no. complement	.57	Δ8
KD-70	/ BVK 7 /	no. complement	.57	□7
KD-70	/ BVK 8 /	no. complement	.57	□8



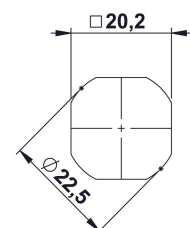
Finger grip „FP “ for quarter turns

Material and surfaces:
Plastic (KST) black

By using the fingergrip
the H-dimension reduce of 2mm.



Article no.		Material
Series		Black Plastic
FP-28		.87
FP-32		.87



Quarter turns

Switch „ZH “ closing stroke 90°

Strong execution

Material and surfaces:

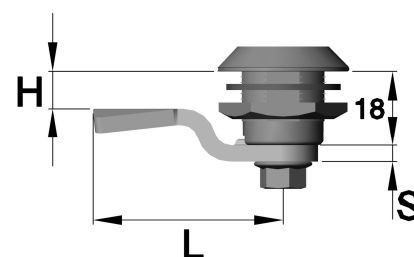
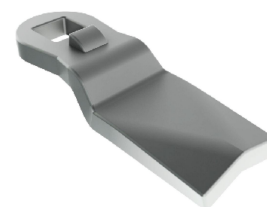
Steel zinc plated

Stainless steel (V2A) raw

Stainless steel seawater resistant (V4A) raw (off 500 articles on request)

Please insert the art no. for the actuation and the housing.

Series	Article no.		Dimensions in mm			
	Material		H	L	B	S
Steel	Stainless steel					
ZH 4-45	verzinkt	-	3	45	19	4
ZH 6-45	verzinkt	VA	6	45	19	4
ZH 8-45	verzinkt	-	8	45	19	4
ZH 10-45	verzinkt	VA	10	45	19	4
ZH 13-45	verzinkt	-	13	45	19	4
ZH 14-45	verzinkt	VA	14	45	19	4
ZH 16-45	verzinkt	-	16	45	19	4
ZH 18-35	verzinkt	-	18	34	19	4
ZH 18-45	verzinkt	VA	18	45	19	4
ZH 20-35	verzinkt	-	20	35	19	4
ZH 20-45	verzinkt	VA	20	45	19	4
ZH 22-35	verzinkt	-	22	35	19	4
ZH 22-45	verzinkt	VA	22	45	19	4
ZH 24-45	verzinkt	VA	24	45	19	4
ZH 26-45	verzinkt	VA	26	45	19	4
ZH 28-35	verzinkt	-	28	35	19	4
ZH 28-45	verzinkt	VA	28	45	19	4
ZH 30-45	verzinkt	-	30	45	19	4
ZH 32-45	verzinkt	-	32	45	19	4
ZH 34-45	verzinkt	-	34	45	19	4
ZH 35-45	verzinkt	-	35	45	19	4
ZH 36-45	verzinkt	-	36	45	19	4
ZH 38-45	verzinkt	-	38	45	19	4
ZH 40-45	verzinkt	-	40	45	19	4
ZH 42-45	verzinkt	-	42	45	19	4
ZH 44-45	verzinkt	-	44	45	19	4
ZH 45-45	verzinkt	-	45	45	19	4
ZH 47-45	verzinkt	-	45	45	19	4
ZH 50-45	verzinkt	-	50	45	19	4



Quarter turns

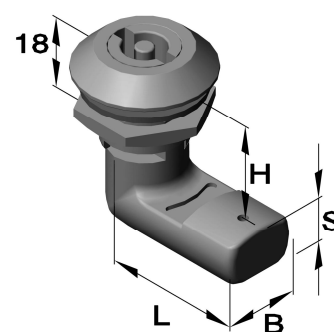
Plastic switch „KTZ “ closing stroke 90°
Strong execution

Material and surfaces:
Plastic (KST) black



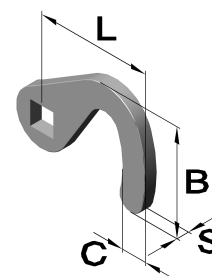
Please insert the art no. for the actuation and the housing.

Article no.		Dimensions in mm			
Series	Material	H	L	B	S
	Black Plastic				
KTZ 18-35	.87	18	35	19	12
KTZ 20-35	.87	20	35	19	12
KTZ 22-35	.87	22	35	19	12
KTZ 24-35	.87	24	35	19	12
KTZ 28-35	.87	28	35	19	12



Hook tongue „HZ“

Material and surfaces:
Steel zinc plated



Article no.			Dimensions in mm			
Series	Execution	Material	L	B	C	S
		Steel				
HZ	18-36	Zinc plated	36	33	8	4

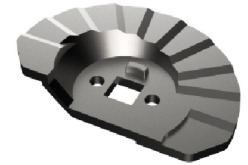
Quarter turns

Quarter turn cone pulley „DS “ closing stroke 180°

Gradually bolt von 0-10 mm

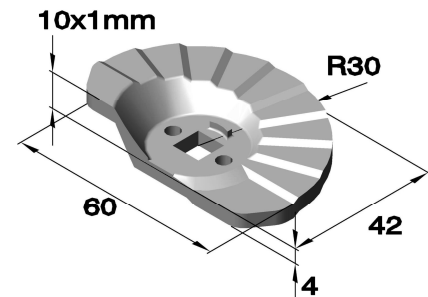
Material and surfaces:

Zinc die cast (Zamak) zinc plated



Please insert the art no. for the actuation and the housing.

Article no.		
Series	Execution	Material
		Zamak
DS-60	.01	Zinc plated
		.04



Locking handle „DV “

Spagnolet extension, with gradually bolt von 17-65 mm

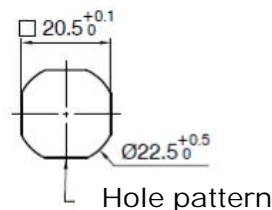
Closing stroke 180°

Please insert the art no. for the actuation and the housing

Material and surfaces:

Steel zinc plated

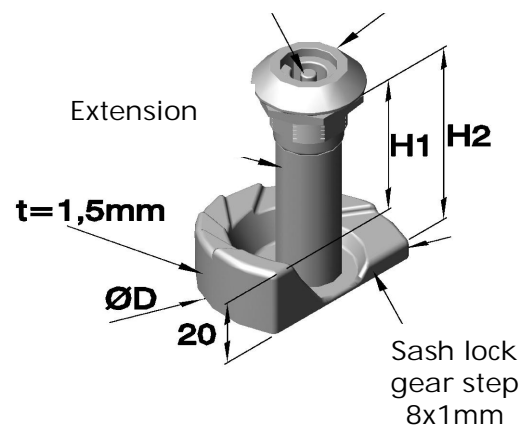
Stainless steel raw



Hole pattern

Actuation

Housing



Article no.			Dimensions in mm		
Series	Execution	Material	H1	H2	Ø D
		Steel			
DV	17-25	Zinc plated	17	25	60
DV	22-30	Zinc plated	22	30	60
DV	27-35	Zinc plated	27	35	60
DV	32-40	Zinc plated	32	40	60
DV	37-45	Zinc plated	37	45	60
DV	42-50	Zinc plated	42	50	60
DV	47-55	Zinc plated	47	55	60
DV	52-60	Zinc plated	52	60	60
DV	57-65	Zinc plated	57	65	60



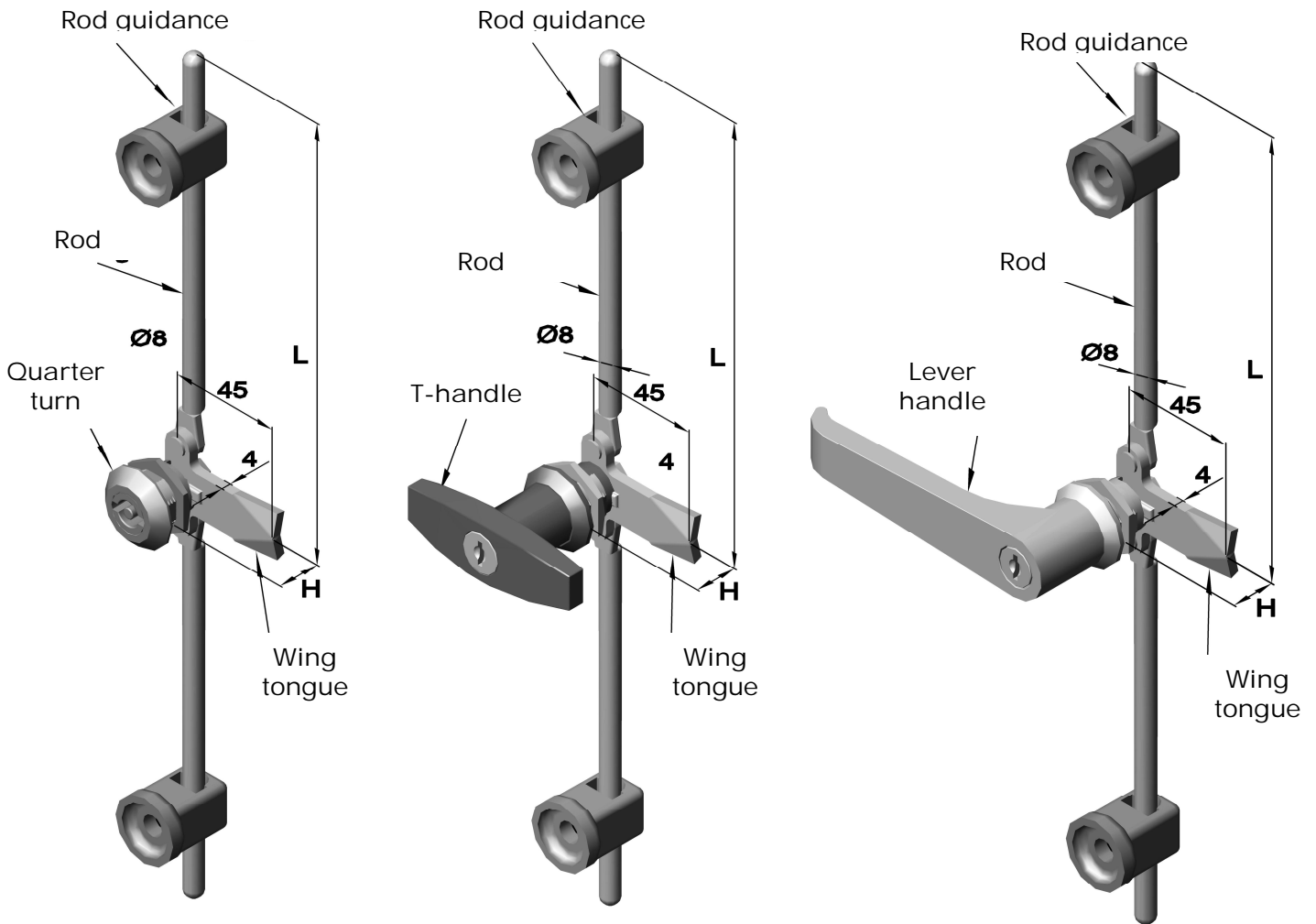
Quarter turns

Combinatory examples:

With quarter turn: "DG"

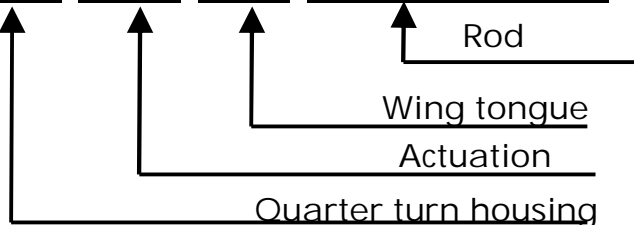
With clamp handle: "DK"

With lever handle: "DH"



Ordering example:

Art. no. DG32/BDB3/FZ18/SR-05-00.01.04



Quarter turns

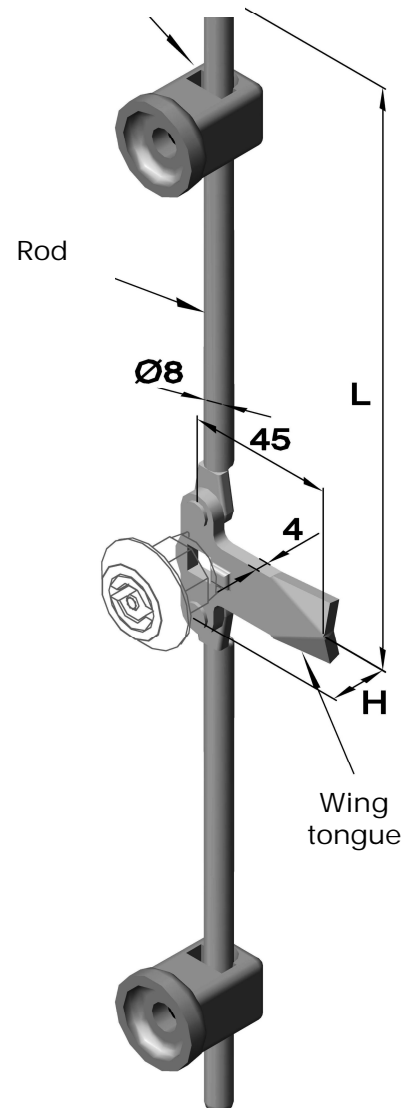
Wing tongue „FZ “ for quarter turn

Material and surfaces:
Steel zinc plated
Stainless steel (V2A) raw

Article no.		Dimensions in mm	
Series	Material		H
	Zinc plated		
	Steel	Stainless steel	
FZ 6	Zinc plated		6
FZ 10	Zinc plated		10
FZ 18	Zinc plated		18
FZ 20	Zinc plated		20
FZ 22	Zinc plated	VA	22
FZ 24	Zinc plated		24
FZ 25	Zinc plated		25
FZ 26	Zinc plated		26
FZ 28	Zinc plated	VA	28
FZ 30	Zinc plated		30
FZ 32	Zinc plated		32
FZ 36	Zinc plated		36
FZ 38	Zinc plated		38

Stangenführung

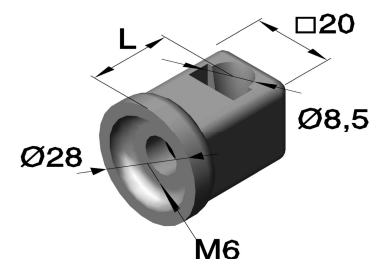
Rod guidance



Rod guide „SFS “ rod (SR)

Material and surfaces:
Plastic (KST) black

Article no.		Dimensions in mm	
Series	Material	L	for welding studs
	Plastic		
SFS 24	KST	24	M6 x 16
SFS 30	KST	30	M6 x 20



Quarter turns

Rod round „SR“

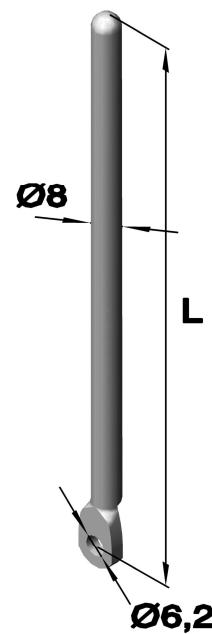
Material and surfaces:
Steel zinc plated

Article no.				Dimensions in mm
Series	Execution		Material	
			Zinc plated Steel	
SR 04-00	.01	-	.04	L
SR 05-00	.01	-	.04	400
SR 06-00	.01	.03	.04	500
SR 07-00	.01	.03	.04	600
SR 08-00	.01	.03	.04	700
SR 09-00	.01	.03	.04	800
SR 10-00	.01	.03	.04	900
SR 11-00	.01	.03	.04	1000
SR 12-00	.01	.03	.04	1100

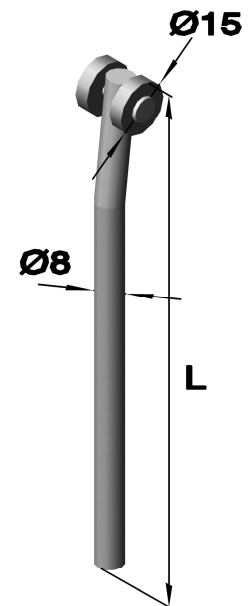
Material and surfaces:
Stainless steel (V2A) raw
Up roller polyamide black

Article no.			Dimensions in mm	
Series	Execution			Material
				Raw Stainless steel
SR 06-00	.03		.30	L
SR 07-00	.03		.30	600
SR 08-00	.03		.30	700
SR 09-00	.03		.30	800
SR 10-00	.03		.30	900
SR 11-00	.03		.30	1000
SR 11-00	.03		.30	1100

Execution .01

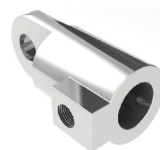


Execution .03

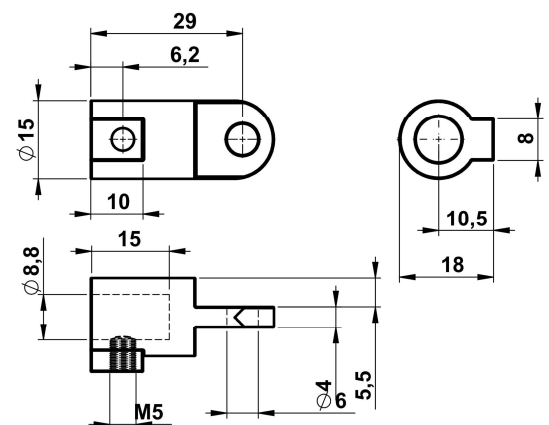


Adapter round (for rod „SR“ execution .03)

Material and surfaces:
Steel zinc plated
Stainless steel (V2A) raw



Article no.		
Series	Material	
	Zinc plated Steel	Raw Stainless steel
AR-01	.04	.30



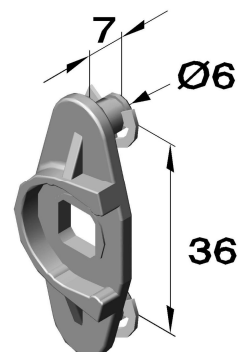
Quarter turns

Pinion drive „SA “ for „ZH “ tongue

Material and surfaces:

Zinc die cast (Zamak) zinc plated

Stainless steel seawater resistant (V4A) raw

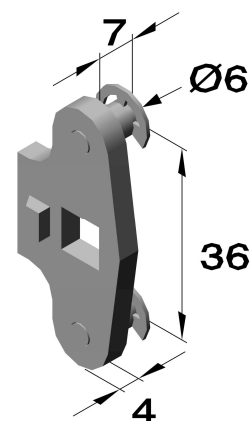


Article no.			
Series	Execution	Material	
		Zamak Zinc plated	Stainless steel Raw
SA	-01	.54	.30

Pinion drive „SA “ without tongue

Material and surfaces:

Steel zinc plated



Article no.		
Series	Execution	Material
		Zinc plated Steel
SA	-02	.04

Quarter turns

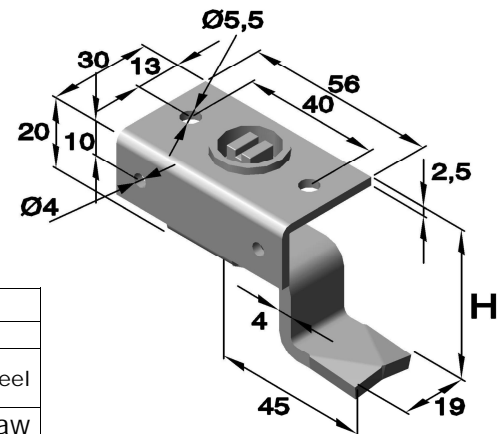
Weld turn „AD40 S “

Material and surfaces:

Actuation: Zamak

Weld-turn housing : Steel zinc plated
Steel raw

Please insert the art no. for the latch (Art no. ZH)



article no.								
Series	Actuation						Material	
	Square cut		Saddle		Double bit		Steel	Steel
	□7mm	□8mm	Δ7	Δ8	Ø3	Ø5		
AD40S	BVK7	BVK8	BDK7	BDK8	BDB3	BDB5	Zinc plated	Raw

Pointer „AZ “ for weld turn „AD “, closing distance 90°

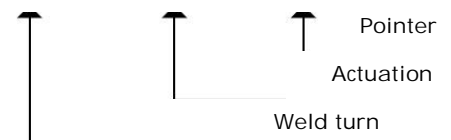
Material and surfaces:

Steel zinc plated

Article no.		Dimensions in mm
Series	Material	H
	Steel	
AZ 6	Zinc plated	6
AZ 8	Zinc plated	8
AZ 10	Zinc plated	10
AZ 12	Zinc plated	12
AZ 15	Zinc plated	14
AZ 16	Zinc plated	16
AZ 18	Zinc plated	18
AZ 20	Zinc plated	20
AZ 22	Zinc plated	22
AZ 24	Zinc plated	24
AZ 26	Zinc plated	26
AZ 27	Zinc plated	27
AZ 28	Zinc plated	28
AZ 30	Zinc plated	30
AZ 32	Zinc plated	32
AZ 34	Zinc plated	34
AZ 36	Zinc plated	36
AZ 37	Zinc plated	37
AZ 38	Zinc plated	38
AZ 40	Zinc plated	40
AZ 42	Zinc plated	42
AZ 44	Zinc plated	44
AZ 46	Zinc plated	46
AZ 49	Zinc plated	49
AZ 52	Zinc plated	52

Ordering example:

Art.no. AD40 / BDB3 / AZ18



Quarter turns

Quarter turns „specially designed“

